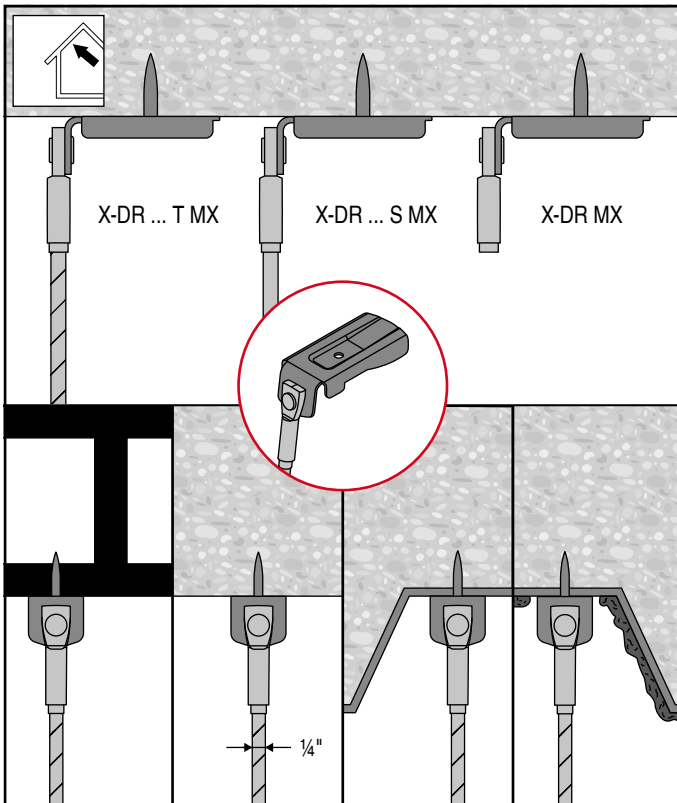


UL LISTED
(Rod Hanger)
E505554

Load rating: [50lbs]. Corresponds with mechanical strength according to UL Standard for Hardware for the Support of Conduit Tubing and Cable, UL2239; Mounting Orientation: Horizontal.



1

BX 3-ME,
BX 3-ME 02
+ X-PT B3
GX 3-ME
+ X-PT G3

| | |
|-------------------------------------|---------------------|
| Concrete | Steel |
| Ceiling | |
| X-P 20 B3 MX X-P 24 B3 MX | X-S 14 B3 MX |

