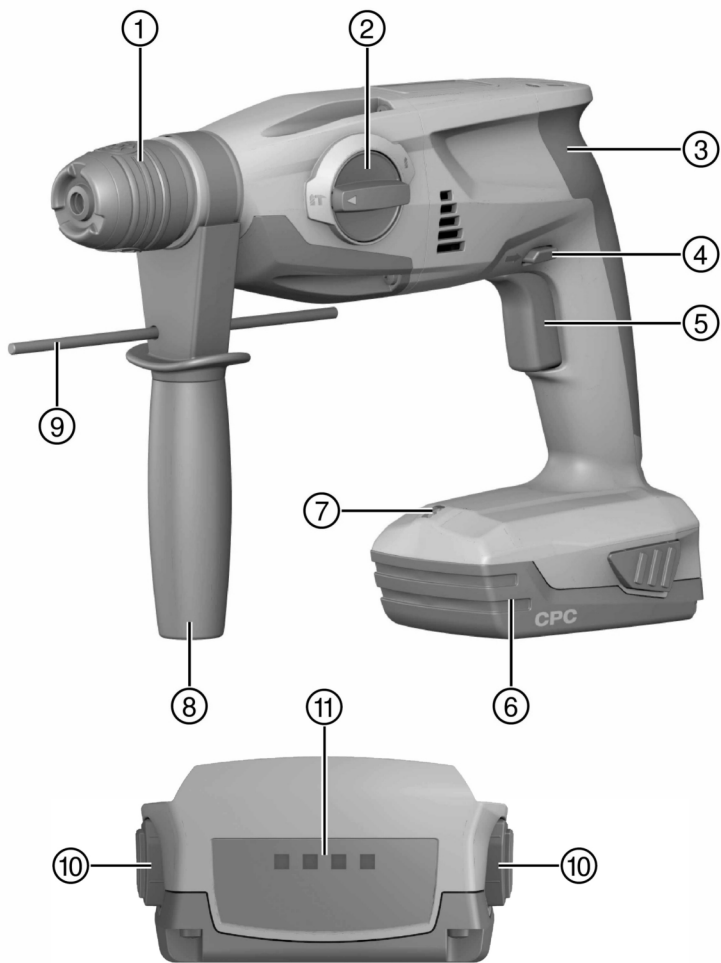




TE 2-A22

English	1
Dansk	11
Svenska	21
Norsk	32
Suomi	42
Русский	52
Български	64
Română	76
Türkçe	87
عربي	98
Latviešu	109
Lietuvių	119
Eesti	130
Қазақ	140
日本語	152
한국어	162
繁體中文	172
中文	181



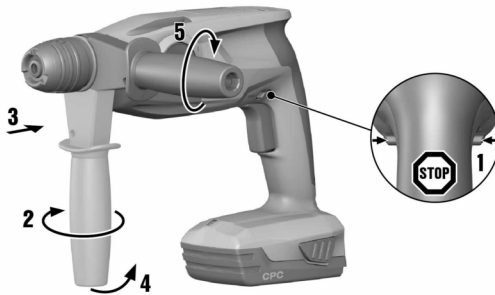
2



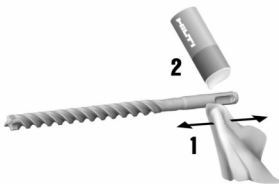
3



4



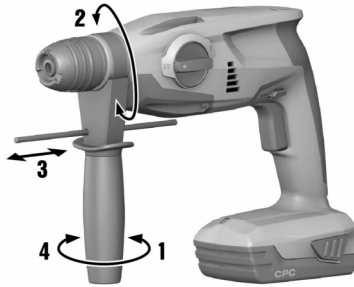
5



6



7



8



TE 2-A22

en	Original operating instructions	1
da	Original brugsanvisning	11
sv	Originalbruksanvisning	21
no	Original bruksanvisning	32
fi	Alkuperäiset ohjeet	42
ru	Перевод оригинального руководства по эксплуатации	52
bg	Оригинално Ръководство за експлоатация	64
ro	Manual de utilizare original	76
tr	Orijinal kullanım kılavuzu	87
ar	دليل الاستعمال الأصلي	98
lv	Orīģinālā lietošanas instrukcija	109
lt	Originali naudojimo instrukcija	119
et	Originaalkasutusjuhend	130
kk	Түпнұсқа пайдалану бойынша нұсқаулық	140
ja	オリジナル取扱説明書	152
ko	오리지널 사용설명서	162
zh	原始操作說明	172
cn	原版操作说明	181

Original operating instructions

1 Information about the operating instructions

1.1 About these operating instructions

- Read these operating instructions before the product is used or operated for the first time. This is a prerequisite for safe, trouble-free handling and use of the product.
- Observe the safety instructions and warnings in these operating instructions and on the product.
- Always keep the operating instructions with the product and make sure that the product is accompanied by these operating instructions only, when the product is given to other persons.

1.2 Explanation of symbols

1.2.1 Warnings

Warnings alert persons to hazards that occur when handling or using the product. The following signal words are used:

DANGER

DANGER !

- ▶ Draws attention to imminent danger that will lead to serious personal injury or fatality.

WARNING

WARNING !

- ▶ Draws attention to a potential threat of danger that can lead to serious injury or fatality.

CAUTION

CAUTION !

- ▶ Draws attention to a potentially dangerous situation that could lead to personal injury or damage to the equipment or other property.

1.2.2 Symbols in the operating instructions

The following symbols are used in these operating instructions:

	Comply with the operating instructions
	Instructions for use and other useful information
	Dealing with recyclable materials
	Do not dispose of electric equipment and batteries as household waste
	Hilti Li-ion battery
	Hilti charger

1.2.3 Symbols in illustrations

The following symbols are used in illustrations:

	These numbers refer to the illustrations at the beginning of these operating instructions.
3	The numbers in illustrations refer to important work steps or to components important for the work steps. In the text, the corresponding numbers draw attention to these work steps or components, e.g. (3) .
	Item reference numbers are used in the overview illustration and refer to the numbers used in the key in the product overview section.
	This symbol is intended to draw your special attention to certain points for handling the product.



1.3 Product-dependent symbols

1.3.1 Symbols on the product

The following symbols can be used on the product:

	Drilling without hammer action
	Drilling with hammering action (hammer drilling)
	Forward / reverse
n_0	Rated speed under no load
/min	Revolutions per minute
	Direct current (DC)
Li-ion	Li-ion battery
	Hilti Li-ion battery type series used. Observe the information given in the section headed Intended use .
	Never use the battery as a striking tool.
	Do not drop the battery. Never use a battery that has suffered an impact or is damaged in any other way.
	The power tool supports near-field communication (NFC) technology, which is compatible with iOS and Android platforms.

1.4 Product information

products are designed for professional users and only trained, authorized personnel are permitted to operate, service and maintain the products. This personnel must be specifically informed about the possible hazards. The product and its ancillary equipment can present hazards if used incorrectly by untrained personnel or if used not in accordance with the intended use.

The type designation and serial number are printed on the rating plate.

- Write down the serial number in the table below. You will be required to state the product details when contacting Hilti Service or your local Hilti organization to inquire about the product.

Product information

Type:	TE 2-A22
Generation:	02
Serial no.:	

1.5 Declaration of conformity

We declare, on our sole responsibility, that the product described here complies with the applicable directives and standards. A copy of the declaration of conformity can be found at the end of this documentation.

The technical documentation is filed and stored here:

Hilti Entwicklungsgesellschaft mbH | Tool Certification | Hiltistraße 6 | 86916 Kaufering, DE

2 Safety

2.1 General power tool safety warnings

⚠ WARNING Read all safety warnings, instructions, illustrations and specifications provided with this power tool. Failure to follow all instructions listed below may result in electric shock, fire and/or serious injury. **Save all warnings and instructions for future reference.**

The term "power tool" in the warnings refers to your mains-operated (corded) power tool or battery-operated (cordless) power tool.



Work area safety

- ▶ **Keep work area clean and well lit.** Cluttered or dark areas invite accidents.
- ▶ **Do not operate power tools in explosive atmospheres, such as in the presence of flammable liquids, gases or dust.** Power tools create sparks which may ignite the dust or fumes.
- ▶ **Keep children and bystanders away while operating a power tool.** Distractions can cause you to lose control.

Electrical safety

- ▶ **Power tool plugs must match the outlet. Never modify the plug in any way. Do not use any adapter plugs with earthed (grounded) power tools.** Unmodified plugs and matching outlets will reduce risk of electric shock.
- ▶ **Avoid body contact with earthed or grounded surfaces, such as pipes, radiators, ranges and refrigerators.** There is an increased risk of electric shock if your body is earthed or grounded.
- ▶ **Do not expose power tools to rain or wet conditions.** Water entering a power tool will increase the risk of electric shock.
- ▶ **Do not abuse the cord. Never use the cord for carrying, pulling or unplugging the power tool. Keep cord away from heat, oil, sharp edges or moving parts.** Damaged or entangled cords increase the risk of electric shock.
- ▶ **When operating a power tool outdoors, use an extension cord suitable for outdoor use.** Use of a cord suitable for outdoor use reduces the risk of electric shock.
- ▶ **If operating a power tool in a damp location is unavoidable, use a residual current device (RCD) protected supply.** Use of an RCD reduces the risk of electric shock.

Personal safety

- ▶ **Stay alert, watch what you are doing and use common sense when operating a power tool. Do not use a power tool while you are tired or under the influence of drugs, alcohol or medication.** A moment of inattention while operating power tools may result in serious personal injury.
- ▶ **Use personal protective equipment. Always wear eye protection.** Protective equipment such as a dust mask, non-skid safety shoes, hard hat or hearing protection used for appropriate conditions will reduce personal injuries.
- ▶ **Prevent unintentional starting. Ensure the switch is in the off-position before connecting to power source and/or battery pack, picking up or carrying the tool.** Carrying power tools with your finger on the switch or energising power tools that have the switch on invites accidents.
- ▶ **Remove any adjusting key or wrench before turning the power tool on.** A wrench or a key left attached to a rotating part of the power tool may result in personal injury.
- ▶ **Do not overreach. Keep proper footing and balance at all times.** This enables better control of the power tool in unexpected situations.
- ▶ **Dress properly. Do not wear loose clothing or jewellery. Keep your hair and clothing away from moving parts.** Loose clothes, jewellery or long hair can be caught in moving parts.
- ▶ **If devices are provided for the connection of dust extraction and collection facilities, ensure these are connected and properly used.** Use of dust collection can reduce dust-related hazards.
- ▶ **Do not let familiarity gained from frequent use of tools allow you to become complacent and ignore tool safety principles.** A careless action can cause severe injury within a fraction of a second.

Power tool use and care

- ▶ **Do not force the power tool. Use the correct power tool for your application.** The correct power tool will do the job better and safer at the rate for which it was designed.
- ▶ **Do not use the power tool if the switch does not turn it on and off.** Any power tool that cannot be controlled with the switch is dangerous and must be repaired.
- ▶ **Disconnect the plug from the power source and/or remove the battery pack, if detachable, from the power tool before making any adjustments, changing accessories, or storing power tools.** Such preventive safety measures reduce the risk of starting the power tool accidentally.
- ▶ **Store idle power tools out of the reach of children and do not allow persons unfamiliar with the power tool or these instructions to operate the power tool.** Power tools are dangerous in the hands of untrained users.
- ▶ **Maintain power tools and accessories. Check for misalignment or binding of moving parts, breakage of parts and any other condition that may affect the power tool's operation. If damaged, have the power tool repaired before use.** Many accidents are caused by poorly maintained power tools.
- ▶ **Keep cutting tools sharp and clean.** Properly maintained cutting tools with sharp cutting edges are less likely to bind and are easier to control.



- ▶ **Use the power tool, accessories and tool bits etc. in accordance with these instructions, taking into account the working conditions and the work to be performed.** Use of the power tool for operations different from those intended could result in a hazardous situation.
- ▶ **Keep handles and grasping surfaces dry, clean and free from oil and grease.** Slippery handles and grasping surfaces do not allow for safe handling and control of the tool in unexpected situations.

Battery tool use and care

- ▶ **Recharge only with the charger specified by the manufacturer.** A charger that is suitable for one type of battery pack may create a risk of fire when used with another battery pack.
- ▶ **Use power tools only with specifically designated battery packs.** Use of any other battery packs may create a risk of injury and fire.
- ▶ **When battery pack is not in use, keep it away from other metal objects, like paper clips, coins, keys, nails, screws or other small metal objects, that can make a connection from one terminal to another.** Shorting the battery terminals together may cause burns or a fire.
- ▶ **Under abusive conditions, liquid may be ejected from the battery; avoid contact. If contact accidentally occurs, flush with water. If liquid contacts eyes, additionally seek medical help.** Liquid ejected from the battery may cause irritation or burns.
- ▶ **Do not use a battery pack or tool that is damaged or modified.** Damaged or modified batteries may exhibit unpredictable behaviour resulting in fire, explosion or risk of injury.
- ▶ **Do not expose a battery pack or tool to fire or excessive temperature.** Exposure to fire or temperature above 130° C (265 °F) may cause explosion.
- ▶ **Follow all charging instructions and do not charge the battery pack or tool outside the temperature range specified in the instructions.** Charging improperly or at temperatures outside the specified range may damage the battery and increase the risk of fire.

Service

- ▶ **Have your power tool serviced by a qualified repair person using only identical replacement parts.** This will ensure that the safety of the power tool is maintained.
- ▶ **Never service damaged battery packs.** Service of battery packs should only be performed by the manufacturer or authorized service providers.

2.2 Hammer safety warnings

Safety instructions for all operations

- ▶ **Wear ear protectors.** Exposure to noise can cause hearing loss.
- ▶ **Use auxiliary handle(s), if supplied with the tool.** Loss of control can cause personal injury.
- ▶ **Hold the power tool by insulated gripping surfaces, when performing an operation where the cutting accessory may contact hidden wiring.** Cutting accessory contacting a "live" wire may make exposed metal parts of the power tool "live" and could give the operator an electric shock.

Safety instructions when using long drill bits with rotary hammers

- ▶ **Always start drilling at low speed and with the bit tip in contact with the workpiece.** At higher speeds, the bit is likely to bend if allowed to rotate freely without contacting the workpiece, resulting in personal injury.
- ▶ **Apply pressure only in direct line with the bit and do not apply excessive pressure.** Bits can bend causing breakage or loss of control, resulting in personal injury.

2.3 Additional safety instructions for rotary hammer drill

Personal safety

- ▶ Use the product and accessories only when they are in perfect working order.
- ▶ Never tamper with or modify the product or accessories in any way.
- ▶ Use auxiliary handles supplied with the product. Loss of control can cause personal injury.
- ▶ Apply appropriate safety measures at the opposite side of the workpiece in work that involves breaking through. Parts breaking away could fall out and / or fall down causing injury to other persons.
- ▶ Always hold the tool with both hands on the grips provided. Keep the grips clean and dry.
- ▶ Hold the product by the insulated gripping surfaces when performing work in which the accessory tool might come into contact with concealed wiring. If the accessory tool comes into contact with a live wire, metal parts of the power tool can also become live, resulting in an electric shock.
- ▶ Do not touch rotating parts – risk of injury!
- ▶ Wear eye protection, a hard hat and ear protection and suitable respiratory protection while the product is in use.



- ▶ Wear protective gloves when changing the accessory tool. Touching the accessory tool can result in cuts and burns.
- ▶ Wear eye protection. Flying fragments can injure the body and eyes.
- ▶ Dust produced by grinding, sanding, cutting and drilling can contain dangerous chemicals. Some examples are: lead or lead-based paints; brick, concrete and other masonry products, natural stone and other products containing silicates; certain types of wood, such as oak, beech and chemically treated wood; asbestos or materials that contain asbestos. Determine the exposure of the operator and bystanders by means of the hazard classification of the materials to be worked. Implement the necessary measures to restrict exposure to a safe level, for example by the use of a dust collection system or by the wearing of suitable respiratory protection. The general measures for reducing exposure include:
 - ▶ working in an area that is well ventilated,
 - ▶ avoidance of prolonged contact with dust,
 - ▶ directing dust away from the face and body,
 - ▶ wearing protective clothing and washing exposed areas of the skin with water and soap.
- ▶ Take frequent breaks and do physical exercises to improve the blood circulation in your fingers. High vibration during long periods of work can lead to disorders of the blood vessels and nervous system in the fingers, hands and wrists.

Electrical safety

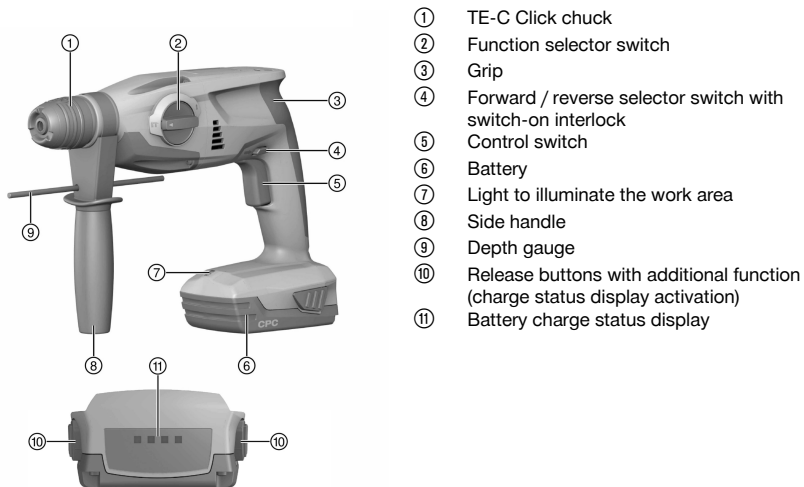
- ▶ Before beginning work, check the working area for concealed electric cables or gas and water pipes. External metal parts of the product could give you an electric shock or cause an explosion if you accidentally damage an electric cable or a gas or water pipe.

Power tool use and care

- ▶ Switch the product off immediately if the accessory tool jams. The product might twist off-line.
- ▶ Wait until the product has come to a complete stop before you lay it down.

3 Description

3.1 Overview of the product



- ① TE-C Click chuck
- ② Function selector switch
- ③ Grip
- ④ Forward / reverse selector switch with switch-on interlock
- ⑤ Control switch
- ⑥ Battery
- ⑦ Light to illuminate the work area
- ⑧ Side handle
- ⑨ Depth gauge
- ⑩ Release buttons with additional function (charge status display activation)
- ⑪ Battery charge status display

3.2 Intended use

The product described is a battery-powered rotary hammer. It is designed for hammer drilling in concrete and masonry, for drilling in steel, wood and masonry and for driving and removing screws.

- Use only **Hilti** lithium-ion batteries of the B 22 series with this product.
- Use only **Hilti**-approved battery chargers to charge these batteries. More information is available from your **Hilti Store** or from www.hilti.group



3.3 Lithium-ion battery status display

When the lithium-ion battery is used the charge status can be displayed by tapping one of the battery release buttons.

Status	Meaning
4 LEDs light.	Charge status: 75 % to 100 %
3 LEDs light.	Charge status: 50 % to 75 %
2 LEDs light.	Charge status: 25 % to 50 %
1 LED lights.	Charge status: 10 % to 25 %
1 LED blinks.	Charge status: < 10 %

Indication of the charge status is not possible while the power tool is in operation or immediately after operation. If the battery charge status LEDs flash, please refer to the information given in the Troubleshooting section.

3.4 Items supplied

Rotary hammer, side handle, depth gauge, operating instructions.

The TE DRS-S dust removal module greatly reduces dust emissions and is available as an accessory.

Other system products approved for use with this product can be found at your local **Hilti Store** or at: www.hilti.group

4 Technical data

4.1 Rotary hammer

	TE 2-A22
Rated voltage	21.6 V
Weight in accordance with EPTA Procedure 01 including B228.0 battery	3.3 kg
Drilling diameter range in concrete/masonry (hammer drilling)	4 mm ... 16 mm
Drilling diameter range in metal (solid-head drill bit)	0 mm ... 10 mm
Maximum length of the depth gauge	180 mm

4.2 Noise information and vibration values in accordance with EN 62841

The sound pressure and vibration values given in these instructions were measured in accordance with a standardized test and can be used to compare one power tool with another. They can also be used for a preliminary assessment of exposure.

The data given represent the main applications of the power tool. However, if the power tool is used for different applications, with different accessory tools, or is poorly maintained, the data can vary. This can significantly increase exposure over the total working period.

An accurate estimation of exposure should also take into account the times when the power tool is switched off, or when it is running but not actually being used for a job. This can significantly reduce exposure over the total working period.

Identify additional safety measures to protect the operator from the effects of noise and/or vibration, for example: maintaining the power tool and accessory tools, keeping the hands warm, organization of work patterns.

Noise information

Sound (power) level (L_{WA})	103 dB(A)
Emission sound pressure level (L_{pA})	92 dB(A)
Uncertainty (noise values) (K_{pA} and K_{WA})	3 dB(A)



Total vibration

Drilling in metal ($a_{h, D}$)	B 22/2.6 Li-Ion (01)	2.5 m/s ²
Hammer drilling in concrete ($a_{h, HD}$)	B 22/2.6 Li-Ion (01)	12.7 m/s ²
Uncertainty (total vibration)		1.5 m/s ²

4.3 Battery

Battery operating voltage	21.6 V
Ambient temperature for operation	-17 °C ... 60 °C
Storage temperature	-20 °C ... 40 °C
Battery charging starting temperature	-10 °C ... 45 °C

5 Operation

5.1 Preparations at the workplace

WARNING

Risk of injury by inadvertent starting!

- ▶ Before inserting the battery, make sure that the product is switched off.
- ▶ Remove the battery before making any adjustments to the power tool or before changing accessories.

Observe the safety instructions and warnings in this documentation and on the product.

5.1.1 Fitting the side handle

1. Release the side handle clamping band by turning the handle grip.
2. Slide the side handle clamping band over the chuck from the front and into the recess provided.
3. Bring the side handle into the desired position.
4. Tighten the side handle clamping band by turning the handle grip.

5.1.2 Inserting the battery

1. Push the battery into the battery interface on the tool until it is heard to engage with a click.
2. Check that the battery is seated securely.

5.1.3 Removing the battery

1. Press the release buttons on the battery.
2. Pull the battery out toward the rear.

5.1.4 Fitting the accessory tool

1. Apply a little grease to the connection end of the accessory tool.
 - ▶ Use only the recommended grease supplied by Hilti. Use of the wrong grease can result in damage to the tool.
2. Push the accessory tool into the chuck as far as it will go (until it engages).
3. After fitting the accessory tool, grip it and pull it in order to check that it is securely engaged.
 - ▶ The product is ready for use.

5.1.5 Removing the accessory tool

CAUTION

Risk of injury by the accessory tool! The accessory tool might be hot or have sharp edges.

- ▶ Wear protective gloves when changing the accessory tool.
-
- ▶ Pull the tool lock back as far as it will go and remove the accessory tool.

5.1.6 Fitting the depth gauge (optional)

1. Release the side handle clamping band by turning the handle grip.



2. Slide the depth gauge from the front into the 2 guide holes provided.
3. Tighten the side handle clamping band by turning the handle grip.

5.2 Types of work

CAUTION

Risk of damage by incorrect handling!

- ▶ Do not operate the switches for direction of rotation and/or function selection during operation.

Observe the safety instructions and warnings in this documentation and on the product.

5.2.1 Lighting in the workplace



The LED is activated automatically when the control switch is pressed. The LED goes out slowly after the control switch is released.

- ▶ Press the control switch.

5.2.2 Direction of rotation

- ▶ Set the direction of rotation.
 - ▶ The selector switch engages in this position.

5.2.3 Drilling without hammering

- ▶ Set the function selector switch to this symbol: .

5.2.4 Hammer drilling

- ▶ Set the function selector switch to this symbol: .

6 Care and maintenance

6.1 Care and maintenance

WARNING

Risk of injury with battery inserted !

- ▶ Always remove the battery before carrying out care and maintenance tasks!

Care of the product

- Carefully remove stubborn dirt.
- Carefully clean the air vents, if present, with a dry, soft brush.
- Use only a slightly damp cloth to clean the housing. Do not use cleaning agents containing silicone as these can attack the plastic parts.
- Use a dry, clean cloth to clean the contacts of the product.

Care of the Li-ion batteries

- Never use a battery with clogged air vents. Clean the air vents carefully using a dry, soft brush.
- Avoid unnecessary exposure of the battery to dust and dirt. Never expose the battery to high levels of moisture (e.g. by being dipped in water or left in the rain).
If a battery has been soaked by moisture, treat it as a damaged battery. Isolate it in a non-flammable container and consult **Hilti Service**.
- Keep the battery free of extraneous oil and grease. Do not permit dust or dirt to accumulate unnecessarily on the battery. Clean the battery with a dry, soft brush or a clean, dry cloth. Do not use cleaning agents containing silicone as these can attack the plastic parts.
Do not touch the contacts of the battery and do not remove the factory-applied grease from the contacts.
- Use only a slightly damp cloth to clean the housing. Do not use cleaning agents containing silicone as these can attack the plastic parts.

Maintenance

- Check all visible parts and controls for signs of damage at regular intervals and make sure that they all function correctly.



- Do not use the product if signs of damage are found or if parts malfunction. Immediately have the product repaired by **Hilti** Service.
- After cleaning and maintenance, install all guards and protective devices and check that they are in full working order.



To help ensure safe and reliable operation, use only genuine Hilti spare parts and consumables. Spare parts, consumables and accessories approved by **Hilti** for use with your product can be found at your **Hilti Store** or online at: www.hilti.group

6.2 Cleaning the dust shield

- ▶ Clean the dust shield on the chuck with a dry, clean cloth at regular intervals.
- ▶ Clean the sealing lip by wiping it carefully and then grease it again lightly with **Hilti** grease.
- ▶ It is essential that the dust shield is replaced if the sealing lip is damaged.

7 Transport and storage

7.1 Transport and storage of cordless tools and batteries

Transport



CAUTION

Accidental starting during transport !

- ▶ Always transport your products with the batteries removed!
- ▶ Remove the battery/batteries.
- ▶ Never transport batteries loose and unprotected. During transport, batteries should be protected from excessive shock and vibration and isolated from any conductive materials or other batteries that may come in contact with the terminals and cause a short circuit. **Comply with the locally applicable regulations for transporting batteries.**
- ▶ Do not send batteries through the mail. Consult your shipper for instructions on how to ship undamaged batteries.
- ▶ Prior to each use and before and after prolonged transport, check the product and the batteries for damage.

Storage



WARNING

Accidental damage caused by defective or leaking batteries !

- ▶ Always store your products with the batteries removed!
- ▶ Store the product and the batteries in a cool and dry place. Comply with the temperature limits stated in the technical data.
- ▶ Do not store batteries on the charger. Always remove the battery from the charger when the charging operation has completed.
- ▶ Never leave batteries in direct sunlight, on sources of heat, or behind glass.
- ▶ Store the product and batteries where they cannot be accessed by children or unauthorized persons.
- ▶ Prior to each use and before and after prolonged storage, check the product and the batteries for damage.

8 Troubleshooting

8.1 Troubleshooting



If the trouble you are experiencing is not listed in this table or you are unable to remedy the problem by yourself, please contact **Hilti** Service.



8.2 The rotary hammer is not in working order

Trouble or fault	Possible cause	Action to be taken
The rotary hammer doesn't start.	The rotary hammer has been over-loaded.	▶ Switch off the rotary hammer, remove the battery and do not continue to use the rotary hammer.
The LEDs indicate nothing.	The battery is not fully inserted.	▶ Push the battery in until it engages with a double click.
	Battery is discharged.	▶ Change the battery and charge the empty battery.
	The battery is too hot or too cold.	▶ Bring the battery to the recommended working temperature.
1 LED blinks.	Battery is discharged.	▶ Change the battery and charge the empty battery.
	The battery is too hot or too cold.	▶ Bring the battery to the recommended working temperature.
4 LEDs blink.	The rotary hammer has been over-loaded briefly.	▶ Release the control switch and then press it again.
	The overheating prevention cut-out has been activated.	▶ Allow the rotary hammer to cool down and clean the air vents.

8.3 The rotary hammer is in working order

Trouble or fault	Possible cause	Action to be taken
No hammering action.	The rotary hammer is too cold.	▶ Bring the tip of the drill bit into contact with the working surface, switch the rotary hammer on and allow it to run. If necessary, repeat the procedure until the hammering mechanism begins to operate.
	The function selector switch is set to "Drilling without hammering"  .	▶ Set the function selector switch to "Hammer drilling"  .
The control switch can't be pressed, i.e. the switch is locked.	The forward / reverse switch is in the middle position.	▶ Push the forward / reverse switch to the right or left.
The drive spindle does not rotate.	The permissible operating temperature of the rotary hammer's electronics has been exceeded.	▶ Allow the rotary hammer to cool down.
	Battery is discharged.	▶ Change the battery and charge the empty battery.
The rotary hammer switches itself off automatically.	The overload cut-out has been activated.	▶ Release the control switch. Allow the rotary hammer to cool down. Press the control switch again. Reduce the load on the tool.
The battery runs down more quickly than usual.	Battery condition is not optimal.	▶ Replace the battery.
The battery does not engage with an audible "double click".	The retaining lugs on the battery are dirty.	▶ Clean the retaining lugs and refit the battery.
The rotary hammer or the battery gets very hot.	Electrical fault	▶ Switch off the rotary hammer immediately. Remove the battery and keep it under observation. Allow it to cool down. Contact Hilti service.



Trouble or fault	Possible cause	Action to be taken
The rotary hammer or the battery gets very hot.	The rotary hammer has been over-loaded (application limit exceeded).	▶ Select a tool that is suitable for its intended use.
The insert tool can't be re-leased.	The chuck is not pulled back fully.	▶ Pull the chuck back as far as it will go and remove the tool.
The tool makes no progress.	The rotary hammer has been set to reverse rotation.	▶ Move the forward / reverse selector switch to the "Forward" position.

9 Disposal

Most of the materials from which **Hilti** tools and appliances are manufactured can be recycled. The materials must be correctly separated before they can be recycled. In many countries, your old tools, machines or appliances can be returned to **Hilti** for recycling. Ask **Hilti** Service or your Hilti representative for further information.



- ▶ Do not dispose of power tools, electronic equipment or batteries as household waste!

10 Manufacturer's warranty

- ▶ Please contact your local **Hilti** representative if you have questions about the warranty conditions.

Original brugsanvisning

1 Om brugsanvisningen

1.1 Om denne brugsanvisning

- Læs brugsanvisningen grundigt igennem inden ibrugtagning. Det er en forudsætning for sikkert arbejde og korrekt håndtering.
- Følg sikkerhedsanvisningerne og advarslerne i denne brugsanvisning og på produktet.
- Opbevar altid brugsanvisningen sammen med produktet, og overdrag kun produktet til andre personer sammen med denne brugsanvisning.

1.2 Tegnforklaring

1.2.1 Advarsler

Advarsler advarer mod farer ved håndtering af produktet. Følgende signalord anvendes:



FARE

FARE !

- ▶ Betegner en umiddelbart truende fare, der kan medføre alvorlige kvæstelser eller døden.



ADVARSEL

ADVARSEL !

- ▶ Står ved en potentielt truende fare, der kan medføre alvorlige kvæstelser eller døden.



FORSIGTIG

FORSIGTIG !

- ▶ Advarer om en potentielt farlig situation, der kan forårsage personskader eller materielle skader.

1.2.2 Symboler i brugsanvisningen

Der benyttes følgende symboler i denne brugsanvisning:



Se brugsanvisningen



2023934

Dansk

11

	Anvisninger for anvendelse og andre nyttige oplysninger
	Håndtering af genvindbare materialer
	Elektriske maskiner og batterier må ikke bortskaffes som almindeligt husholdningsaffald
	Hilti lithium-ion-batteri
	Hilti Lader

1.2.3 Symboler i illustrationer

Følgende symboler anvendes på illustrationer:

	Disse tal henviser til den pågældende illustration i begyndelsen af denne brugsanvisning.
3	Nummereringen i illustrationerne henviser til vigtige arbejdsstrin eller for arbejdsstrin til vigtige komponenter. I teksten fremhæves disse arbejdsstrin eller komponenter med tilhørende numre, f.eks. (3) .
	Positionsnumre anvendes i illustrationen Oversigt og refererer til tallene i symbolforklaringen i afsnittet Produktoversigt .
	Dette symbol skal sikre skærpet opmærksomhed ved omgang med produktet.

1.3 Produktspecifikke symboler

1.3.1 Symboler på produktet

Følgende symboler kan forekomme på produktet:

	Boring uden slagfunktion
	Boring med slagfunktion (hammerboring)
	Højre-/venstreløb
n_0	Nominelt omdrejningstal ubelastet
/min	Omdrejning pr. minut
	Jævnstrøm
Li-Ion	Lithium-ion-batteri
	Anvendt Hilti lithium-ion-batteriserie. Overhold oplysningerne i kapitlet Tilsigtet anvendelse .
	Brug aldrig batteriet som slagværktøj.
	Lad ikke batteriet falde på gulvet. Brug ikke et batteri, der har fået et slag eller på anden vis er beskadiget.
	Maskinen understøtter NFC-teknologi, som er kompatibel med iOS- og Android-plattorme.

1.4 Produktoplysninger

-produkter er beregnet til professionel brug og må kun betjenes, efterses og vedligeholdes af autoriseret og instrueret personale. Dette personale skal i særdeleshed informeres om de potentielle farer, der er forbundet med anvendelsen af denne maskine. Der kan opstå farlige situationer ved anvendelse af produktet og det tilhørende udstyr, hvis det anvendes af personer, der ikke er blevet undervist i dens brug, eller hvis det ikke anvendes korrekt i henhold til forskrifterne i denne brugsanvisning.

Typebetegnelse og serienummer fremgår af typeskiltet.



- ▶ Notér serienummeret i den efterfølgende tabel. Du skal bruge produktoplysningerne ved henvendelser til vores lokale afdeling eller vores serviceværksted.

Produktoplysninger

Type:	TE 2-A22
Generation:	02
Serienummer:	

1.5 Overensstemmelseserklæring

Vi erklærer som eneansvarlige, at det beskrevne produkt er i overensstemmelse med gældende direktiver og standarder. Sidst i dette dokument finder du et billede af overensstemmelseserklæringen.

Den tekniske dokumentation er arkiveret her:

Hilti Entwicklungsgesellschaft mbH | Zulassung Geräte | Hiltistraße 6 | 86916 Kaufering, DE

2 Sikkerhed

2.1 Generelle sikkerhedsanvisninger for elværktøj

⚠ ADVARSEL Læs alle sikkerhedsanvisninger, henvisninger, billedtekster og tekniske data på elværktøjet. Hvis følgende anvisninger ikke overholdes, er der risiko for elektrisk stød, brand og/eller alvorlige personskader.

Opbevar alle sikkerhedsanvisninger og instruktioner til senere brug.

Det benyttede begreb "elværktøj" i sikkerhedsanvisningerne refererer til elektriske maskiner (med netledning) eller batteridrevne maskiner (uden netledning).

Arbejdspladssikkerhed

- ▶ **Sørg for at holde arbejdsområdet ryddeligt og godt oplyst.** Uorden eller uoplyste arbejdsområder øger faren for uheld.
- ▶ **Brug ikke elværktøj i eksplosionstruede omgivelser, hvor der er brændbare væsker, gasser eller støv.** Elværktøj kan slå gnister, der kan antænde støv eller dampe.
- ▶ **Sørg for, at andre personer og ikke mindst børn holdes væk fra arbejdsområdet, når elværktøjet er i brug.** Hvis man distraheres, kan man miste kontrollen over maskinen.

Elektrisk sikkerhed

- ▶ **Elværktøjets stik skal passe til kontakten. Stikket må under ingen omstændigheder ændres. Brug ikke adapterstik sammen med jordforbundne elværktøj.** Uændrede stik, der passer til kontakterne, nedsætter risikoen for elektrisk stød.
- ▶ **Undgå kropskontakt med jordforbundne overflader som f.eks. rør, radiatorer, komfurer og køleskabe.** Hvis din krop er jordforbundet, øges risikoen for elektrisk stød.
- ▶ **Elværktøj må ikke udsættes for regn eller fugt.** Indtrængning af vand i elværktøj øger risikoen for elektrisk stød.
- ▶ **Brug ikke ledningen til formål, den ikke er beregnet til (f.eks. må man aldrig bære elværktøjet i ledningen, hænge det op i ledningen eller rykke i ledningen for at trække stikket ud af kontakten).** Beskyt ledningen mod varme, olie, skarpe kanter eller dele, der er i bevægelse. Beskadede eller sammenviklede ledninger øger risikoen for elektrisk stød.
- ▶ **Hvis elværktøjet benyttes i det fri, må der kun benyttes en forlængerledning, der er egnet til udendørs brug.** Brug af forlængerledning til udendørs brug nedsætter risikoen for elektrisk stød.
- ▶ **Hvis det ikke kan undgås at anvende elværktøjet i fugtige omgivelser, skal du anvende et fejlstrømsrelæ.** Anvendelsen af et fejlstrømsrelæ nedsætter risikoen for et elektrisk stød.

Personlig sikkerhed

- ▶ **Det er vigtigt at være opmærksom, se, hvad man laver, og bruge maskinen fornuftigt. Anvend aldrig elværktøj, hvis du er træt eller påvirket af stoffer, alkohol eller medicin.** Et øjeblik uopmærksomhed under brugen af elværktøjet kan medføre alvorlige personskader.
- ▶ **Brug beskyttelsesudstyr, og hav altid beskyttelsesbriller på.** Brug af sikkerhedsudstyr som f.eks. støvmaske, skridsikkert fodtøj, beskyttelseshjelm eller høreværn afhængigt af elværktøjets type og anvendelse nedsætter risikoen for personskader.
- ▶ **Undgå utilsigtet igangsætning. Kontrollér, at elværktøjet er frakoblet, før du slutter det til strømforsyningen og/eller batteriet, tager det op eller transporterer det.** Undgå at bære elværktøjet med fingeren på afbryderen, og sørg for, at det ikke er tændt, når det slutes til nettet, da dette øger risikoen for personskader.



- ▶ **Fjern indstillingsværktøj eller skruenøgler, inden elværktøjet tændes.** Hvis et stykke værktøj eller en nøgle sidder i en roterende maskindel, er der risiko for personskader.
- ▶ **Undgå at arbejde i unormale kroppsstillinger. Sørg for at stå sikkert, mens der arbejdes, og kom ikke ud af balance.** Det er derved nemmere at kontrollere elværktøjet, hvis der skulle opstå uventede situationer.
- ▶ **Brug egnet arbejdstøj. Undgå løse beklædningsgenstande eller smykker. Hold hår, tøj og handsker væk fra dele, der bevæger sig.** Dele, der er i bevægelse, kan gribe fat i løstsiddende tøj, smykker eller langt hår.
- ▶ **Hvis støvudsugnings- og opsamlingsudstyr kan monteres, er det vigtigt, at dette tilsluttes og benyttes korrekt.** Ved at anvende en støvudsugning er det muligt at nedsætte risiciene som følge af støv.
- ▶ **Man må ikke ignorere sikkerhedsreglerne for elværktøj, heller ikke selvom man er fortrolig med brugen af elværktøjet.** Uagtsomhed kan medføre alvorlig tilskadekomst inden for få sekunder.

Anvendelse og pleje af elværktøjet

- ▶ **Undgå at overbelaste maskinen. Brug altid en maskine, der er beregnet til det stykke arbejde, der skal udføres.** Med det rigtige værktøj arbejder man bedst og mest sikkert inden for det angivne effektområde.
- ▶ **Brug ikke elværktøj, hvis afbryderen er defekt.** En maskine, der ikke kan startes og stoppes, er farlig og skal repareres.
- ▶ **Træk stikket ud af stikkontakten, og/eller fjern batteriet fra maskinen, inden du foretager indstillinger på den, skifter tilbehør og dele eller lægger den til side.** Disse sikkerhedsforanstaltninger forhindrer utilsigtet start af elværktøjet.
- ▶ **Opbevar ubenyttede elværktøjer uden for børns rækkevidde. Lad aldrig personer, der ikke er fortrolige med maskinen eller ikke har gennemlæst sikkerhedsanvisningerne, benytte denne.** Elværktøj er farligt, hvis det benyttes af ukyndige personer.
- ▶ **Sørg for at pleje elværktøj omhyggeligt. Kontrollér, om bevægelige dele fungerer korrekt og ikke sidder fast, og om delene er brækket eller beskadiget, således at elværktøjets funktion påvirkes. Få beskadigede dele repareret, inden elværktøjet tages i brug.** Mange uheld skyldes dårligt vedligeholdte elværktøjer.
- ▶ **Sørg for, at skæreværktøjer er skarpe og rene.** Omhyggeligt vedligeholdte skæreværktøjer med skarpe skærekanter sætter sig ikke så hurtigt fast og er nemmere at føre.
- ▶ **Anvend elværktøj, tilbehør, indsatsværktøj osv. i overensstemmelse med disse anvisninger. Tag hensyn til arbejdsforholdene og det arbejde, der skal udføres.** I tilfælde af anvendelse af maskinen til formål, som ligger uden for det fastsatte anvendelsesområde, kan der opstå farlige situationer.
- ▶ **Sørg for, at greb og gribeblader er tørre, rene og fri for olie og fedt.** Glatte greb og gribeblader gør betjeningen usikker, og det kan være svært at styre elværktøjet i uforudsete situationer.

Anvendelse og pleje af batteridrevet elværktøj

- ▶ **Oplad kun batterier i ladere, der er anbefalet af fabrikanten.** Der er risiko for brand, hvis en lader, der er beregnet til et bestemt batteri, anvendes til opladning af en anden batteritype.
- ▶ **Brug kun de batterier, der er beregnet til elværktøjet.** Brug af andre batterier øger risikoen for personskader og er forbundet med brandfare.
- ▶ **Ikke benyttede batterier må ikke komme i berøring med kontorclips, mønter, nøgler, søm, skruer eller andre små metalgenstande, da disse kan kortslutte kontakterne.** En kortslutning mellem batterikontakterne øger risikoen for personskader i form af forbrændinger.
- ▶ **Hvis batteriet anvendes forkert, kan der løbe væske ud af batteriet. Undgå at komme i kontakt med denne væske. Hvis det alligevel skulle ske, skylles med vand. Søg læge, hvis væsken kommer i øjnene.** Batterivæske kan give hudirritation eller forbrændinger.
- ▶ **Brug aldrig et beskadiget eller ændret batteri.** Beskadigede eller ændrede batterier kan virke utilsigtet og medføre brand, eksplosion eller risiko for tilskadekomst.
- ▶ **Batterier må ikke udsættes for åben ild eller høje temperaturer.** Ild eller temperaturer over 130 °C (265 °F) kan medføre eksplosion.
- ▶ **Følg alle anvisninger vedrørende opladning, og oplad aldrig batteriet eller det batteridrevne værktøj uden for det temperaturområde, der er anført i betjeningsvejledningen.** Forkert opladning eller opladning uden for det tilladte temperaturområde kan ødelægge batteriet og øge risikoen for brand.

Service

- ▶ **Sørg for, at elværktøjet kun repareres af kvalificerede fagfolk, og at der altid benyttes originale reservedele.** Dermed sikres størst mulig elværktøjsikkerhed.
- ▶ **Forsøg aldrig at reparere beskadigede batterier.** Al vedligeholdelse af batterier skal foretages af producenten eller af autoriserede forhandlere.



2.2 Sikkerhedsanvisninger til hamre

Sikkerhedsanvisninger for alle opgaver

- ▶ **Brug høreværn.** Støjpåvirkningen kan medføre høretab.
- ▶ **Brug de ekstrahåndgreb, som følger med maskinen.** Hvis du mister kontrollen, kan det medføre personskader.
- ▶ **Hold maskinen på de isolerede grebsflader, når du udfører opgaver, hvor indsatsværktøjet kan ramme skjulte strømledninger.** Ved kontakt med en spændingsførende ledning kan også metalliske værktøjsdele sættes under spænding, hvilket kan medføre elektrisk stød.

Sikkerhedsanvisninger ved anvendelse af lange bor

- ▶ **Begynd altid borearbejdet med lavt omdrejningstal, og mens boret har kontakt med emnet.** Ved højere omdrejningstal kan boret let blive bøjet, hvis det kan rotere frit uden kontakt med emnet, og medføre personskader.
- ▶ **Udøv ikke et for højt tryk på boret og kun i borets længderetning.** Bor kan blive bøjet og ende med at brække eller medføre tab af kontrollen og resultere i personskader.

2.3 Yderligere sikkerhedsanvisninger for borehammer

Personlig sikkerhed

- ▶ Anvend kun produktet og tilbehør i teknisk fejlfri stand.
- ▶ Foretag aldrig manipulationer eller ændringer på produkt eller tilbehør.
- ▶ Brug de ekstrahåndgreb, som følger med produktet. Hvis du mister kontrollen, kan det medføre personskader.
- ▶ Ved gennembrydningsarbejde skal du huske at sikre området på den modsatte side. Nedbrydningsdele kan falde ud og/eller ned og volde skade på andre personer.
- ▶ Hold altid fast i produktet med begge hænder på de dertil beregnede håndtag. Sørg for, at håndgrebene er tørre og rene.
- ▶ Hold elværktøjet på de isolerede grebsflader, når du udfører opgaver, hvor indsatsværktøjet kan ramme skjulte strømledninger. Ved kontakt med en spændingsførende ledning kan også metalliske værktøjsdele sættes under spænding, hvilket kan medføre elektrisk stød.
- ▶ Undgå berøring af roterende dele - fare for personskader!
- ▶ Brug beskyttelsesbriller, beskyttelseshjelm, høreværn og et egnet åndedrætsværn under brugen af produktet.
- ▶ Brug beskyttelseshandsker, når du skifter værktøj. Berøring af indsatsværktøjet kan medføre snitsår og forbrændinger.
- ▶ Brug øjenværn. Splinterne fra materialet kan medføre skader på legeme og øjne.
- ▶ Støv, der dannes ved slibning, skæring og boring, kan indeholde farlige kemikalier. Nogle eksempler er: Bly eller maling på blybasis; Tegl, beton og andre murværksprodukter, natursten og andre silikatholdige produkter; Bestemte træsorter som eg, bøg og kemisk behandlet træ; Asbest eller asbestholdige materialer. Bestem eksponeringen for brugeren og omkringstående personer ved hjælp af fareklassen for de materialer, der arbejdes på. Træf de nødvendige foranstaltninger for at holde eksponeringen på et sikkert niveau, f.eks. ved at bruge et støvopsamlingsystem eller brug af et passende åndedrætsværn. Generelle foranstaltninger til at reducere eksponeringen omfatter bl.a.:
 - ▶ Arbejde i et godt ventileret område,
 - ▶ Undgå længere tids kontakt med støv,
 - ▶ Lede støv bort fra ansigt og krop,
 - ▶ Bruge beskyttende beklædning og vaske eksponerede områder med vand og sæbe.
- ▶ Hold hyppigt pauser, og lav øvelser, så fingrene får bedre blodgennemstrømning. Ved længerevarende arbejde kan vibrationer medføre forstyrrelser af fingrenes, hændernes eller håndleddenes blodkar og nervesystem.

Elektrisk sikkerhed

- ▶ Kontrollér før påbegyndelse af arbejdet arbejdsområdet for skjulte elektriske ledninger, gas- og vandrør, f.eks. med en metaldetektor. Uvendige metaldele på produktet kan medføre elektrisk stød eller forårsage en eksplosion, hvis du beskadiger en elledning, et gasrør eller et vandrør.

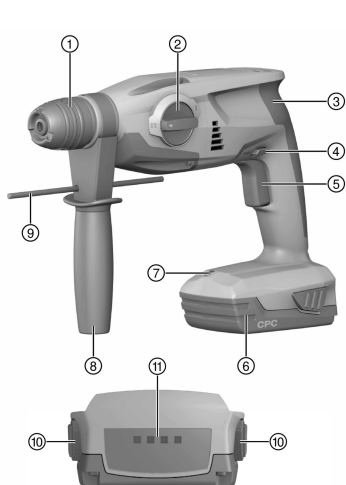
Omhyggelig omgang med og brug af elværktøj

- ▶ Sluk omgående produktet, hvis indsatsværktøjet blokeres. Produktet kan trække til siden.
- ▶ Vent, indtil produktet er standset helt, før du lægger det fra dig.



3 Beskrivelse

3.1 Produktoversigt



- ① Værktøjsholder TE-C Click
- ② Funktionsvælger
- ③ Håndgreb
- ④ Omskifter til valg af højre-/venstreløb med startspærre
- ⑤ Afbryder
- ⑥ Batteri
- ⑦ Arbejdsområdebelysning
- ⑧ Sidegreb
- ⑨ Dybdestop
- ⑩ Frigøringsknapper med ekstrafunktion til aktivering af ladetilstandsvisning
- ⑪ Batteritilstandsindikator

3.2 Tilsigtet anvendelse

Det beskrevne produkt er en batteridrevet borehammer. Det er beregnet til boring i stål, træ og murværk, til hammerboring i beton og murværk og til iskrøning og løsning af skrue.

- Anvend kun **Hilti** Li-Ion-batterier i typeserien B 22 til dette produkt.
- Anvend kun ladere, som **Hilti** har godkendt, til disse batterier. Yderligere oplysninger finder du i din **Hilti Store** eller under: www.hilti.group

3.3 Indikator for lithium-ion-batteriet

Ved anvendelse af lithium-ion-batterier er det muligt at få vist ladetilstanden ved at berøre frigøringsknapperne med fingrene.

Tilstand	Betydning
4 lysdioder lyser.	Ladetilstand: 75 % til 100 %
3 lysdioder lyser.	Ladetilstand: 50 % til 75 %
2 lysdioder lyser.	Ladetilstand: 25 % til 50 %
1 lysdiode lyser.	Ladetilstand: 10 % til 25 %
1 lysdiode blinker.	Ladetilstand: < 10 %

Under arbejdet og lige efter er det ikke muligt at få vist ladetilstanden. Hvis lysdioderne på batteriets ladetilstandsindikator blinker, henvises til beskrivelsen i kapitlet Fejlsgøning.

3.4 Leveringsomfang

Borehammer, sidegreb, dybdestop, brugsanvisning.

Støvmodulet TE DRS-S er tilbehør til at skabe støvfrit arbejde.

Andre systemprodukter, som er godkendt til dit produkt, finder du i **Hilti Store** eller på: www.hilti.group



4 Tekniske data

4.1 Borehammer

	TE 2-A22
Nominal spænding	21,6 V
Vægt i henhold til EPTA Procedure 01 inklusive batteri B228.0	3,3 kg
Boreområde i beton/murværk (hammerboring)	4 mm ... 16 mm
Boreområde i metal (massivt bor)	0 mm ... 10 mm
Maks. længde af dybdestop	180 mm

4.2 Støjinformation og vibrationsværdier iht. EN 62841

Lydtryk- og vibrationsværdier i denne brugsanvisning er målt i henhold til en standardiseret målemetode og kan anvendes til sammenligning af forskellige elværktøjer. De kan også anvendes til en foreløbig vurdering af den eksponering, brugeren udsættes for.

De anførte data repræsenterer elværktøjets primære anvendelsesformål. Hvis elværktøjet imidlertid anvendes til andre formål, med andre indsatsværktøjer eller utilstrækkelig vedligeholdelse, kan dataene afvige. Dette kan forøge den eksponering, som brugeren udsættes for, i hele arbejdstiden markant.

For at opnå en præcis vurdering af den eksponering, som brugeren udsættes for, bør også den tid, hvor elværktøjet er slukket eller blot kører uden at blive anvendt, inddrages. Dette kan reducere den eksponering, som brugeren udsættes for, i hele arbejdstiden markant.

Fastlæg yderligere sikkerhedsforanstaltninger til beskyttelse af brugeren mod støj- og/eller vibrationspåvirkninger, f.eks. er det vigtigt at vedligeholde elværktøj og indsatsværktøj, at holde hænderne varme og at organisere arbejdsprocesserne.

Støjinformation

Lydeffektniveau (L_{WA})	103 dB(A)
Lydtrykniveau (L_{pA})	92 dB(A)
Usikkerhed (støjtælmålinger) (K_{pA} og K_{WA})	3 dB(A)

Samlede vibrationsværdier

Boring i metal ($a_{n,D}$)	B 22/2.6 Li-ion (01)	2,5 m/s ²
Hammerboring i beton ($a_{n,HD}$)	B 22/2.6 Li-ion (01)	12,7 m/s ²
Usikkerhed (samlede vibrationsværdier)		1,5 m/s ²

4.3 Batteri

Batteriets driftsspænding	21,6 V
Omgivende temperatur under drift	-17 °C ... 60 °C
Opbevaringstemperatur	-20 °C ... 40 °C
Batteriets temperatur ved start af ladning	-10 °C ... 45 °C

5 Betjening

5.1 Forberedelse af arbejdet

ADVARSEL

Fare for personskader på grund af utilsigtet start!

- ▶ Før isætning af batteriet skal du kontrollere, at det tilhørende produkt er slukket.
- ▶ Fjern batteriet fra maskinen, inden du foretager indstillinger eller skifter tilbehørsdele på den.

Følg sikkerheds- og advarselshenvisningerne i denne dokumentation og på produktet.

5.1.1 Montering af sidegreb

1. Drej på grebet for at løsne sidegrebets holder (spændebånd).



2. Skub holderen (spændebånd) på forfra over værktøjsholderen frem til den dertil beregnede not.
3. Anbring sidegrebet i den ønskede position.
4. Drej på grebet for at spænde sidegrebets holder (spændebånd).

5.1.2 Isætning af batteri

1. Sæt batteriet i maskinholderen, indtil det går hørbart i indgreb.
2. Kontrollér, at batteriet er sat korrekt i.

5.1.3 Fjernelse af batteri

1. Tryk på batteriets frigøringsknapper.
2. Træk batteriet tilbage og ud.

5.1.4 Isætning af indsatsværktøj

1. Smør indsatsværktøjets indstiksende med et tyndt lag fedt.
 - ▶ Anvend kun originalt fedt fra Hilti. En forkert fedttype kan medføre skader på maskinen.
2. Sæt indsatsværktøjet i værktøjsholderen indtil anslag, og lad det gå i indgreb.
3. Kontrollér efter isætning, at værktøjet sidder sikkert fast ved at trække i det.
 - ▶ Produktet er klar til brug.

5.1.5 Udtagning af indsatsværktøj

FORSIGTIG

Fare for personskader på grund af indsatsværktøj! Indsatsværktøjet kan være meget varmt eller have skarpe kanter.

- ▶ Brug beskyttelseshandsker ved skift af indsatsværktøjet.

- ▶ Træk værktøjslåsen tilbage indtil anslag, og tag indsatsværktøjet ud.

5.1.6 Montering af dybdestop (ekstratilbehør)

1. Drej på grebet for at løsne sidegrebets holder (spændebånd).
2. Skub dybdestoppet på forfra ind i de dertil beregnede 2 styrehuller.
3. Drej på grebet for at spænde sidegrebets holder (spændebånd).

5.2 Arbejde

FORSIGTIG

Fare for beskadigelse på grund af forkert håndtering!

- ▶ Tryk ikke på kontakten for rotationsretning og/eller funktionsvalg under brugen.

Følg sikkerheds- og advarselshenvisningerne i denne dokumentation og på produktet.

5.2.1 Arbejdspladsbelysning



Lysdioden aktiveres automatisk ved betjening af afbryderen. Når du har sluppet afbryderen, slukkes lysdioden langsomt.

- ▶ Tryk på afbryderen.

5.2.2 Omdrejningsretning

- ▶ Indstil omdrejningsretningen.
 - ▶ Omskifteren går i hak i denne stilling.

5.2.3 Boring uden slagfunktion

- ▶ Sæt funktionsvælgeren på dette symbol: .

5.2.4 Boring med slagfunktion

- ▶ Sæt funktionsvælgeren på dette symbol: .



6 Rengøring og vedligeholdelse

6.1 Rengøring og vedligeholdelse

ADVARSEL

Fare for personskader ved isat batteri !

- Fjern altid batteriet før alle pleje- og vedligeholdelsesarbejder!

Pleje af produktet

- Fjern fastsiddende snavs forsigtigt.
- Rengør forsigtigt evt. ventilationsåbninger med en tør, blød børste.
- Rengør kun huset med en hårdt opvredet klud. Brug ikke silikoneholdige plejemidler, da de kan angribe plastdelene.
- Brug en ren, tør klud til at rengøre kontakterne på produktet.

Pleje af Li-ion-batterier

- Anvend aldrig et batteri med tilstoppede ventilationsåbninger. Rengør forsigtigt ventilationsåbningerne med en tør, blød børste.
- Undgå, at batteriet unødigt udsættes for støv og snavs. Udsæt aldrig batteriet for høj fugtighed (f.eks. dyppe det i vand eller lade det stå ude i regnvejr). Hvis et batteri er blevet gennemvådt, skal det behandles som et beskadiget batteri. Isolér det i en ikke-brændbar beholder, og kontakt **Hilti Service**.
- Hold batteriet frit for udefrakommende olie og fedt. Lad ikke unødigt støv og snavs samle sig på batteriet. Rengør batteriet med en tør, blød børste eller en ren, tør klud. Brug ikke silikoneholdige plejemidler, da de kan angribe plastdelene. Berør ikke batteriets kontakter, og fjern ikke det fedt fra kontakterne, som er påført fra fabrikken.
- Rengør kun huset med en hårdt opvredet klud. Brug ikke silikoneholdige plejemidler, da de kan angribe plastdelene.

Vedligeholdelse

- Kontrollér regelmæssigt alle synlige dele for skader og betjeningselementerne for fejlfri funktion.
- Anvend ikke produktet i tilfælde af beskadigelse og/eller funktionsfejl. Få straks produktet repareret af **Hilti Service**.
- Monter alle beskyttelsesanordninger efter pleje- og vedligeholdelsesarbejder, og kontroller dem for korrekt funktion.



Anvend kun originale reservedele og forbrugsmaterialer af hensyn til en sikker drift. Reservedele, forbrugsmaterialer og tilbehør til dit produkt, som **Hilti** har godkendt, finder du i din **Hilti Store** eller under: www.hilti.group

6.2 Rengøring af støvkappen

- Rengør regelmæssigt støvkappen på værktøjsholderen med en ren, tør klud.
- Tør forsigtigt tætningen ren, og påfør den derefter et tyndt lag **Hilti**-fedt.
- Udskift altid støvkappen, hvis tætningen er beskadiget.

7 Transport og opbevaring

7.1 Transport og opbevaring af batteridrevet værktøj og batterier

Transport

FORSIGTIG

Utilsigtet start ved transport !

- Transportér altid dine produkter uden isat batteri!
- Tag batteriet/batterierne af.
- Transportér aldrig batterier liggende løst og ubeskyttet. Under transporten bør batterierne beskyttes mod hårde slag og vibrationer og isoleres fra enhver form for ledende materialer eller andre batterier, så de ikke kommer i kontakt med andre batteripoler og forårsager en kortslutning. **Overhold de lokale transportforskrifter for batterier.**



- ▶ Batterier må ikke sendes med posten. Henvend dig til et transportfirma, hvis du ønsker at sende ubeskadigede batterier.
- ▶ Kontrollér produktet og batterierne for skader hver gang før brug og før og efter længere transport.

Opbevaring

ADVARSEL

Utløst batteri på grund af defekte eller utætte batterier !

- ▶ Opbevar altid dine produkter uden isat batteri!
- ▶ Opbevar produkt og batterier køligt og tørt. Overhold de temperaturgrænser, der fremgår af de tekniske data.
- ▶ Opbevar ikke batterier i laderen. Tag batteriet ud af laderen, når opladningen er gennemført.
- ▶ Opbevar aldrig batterier i direkte sollys, på varmekilder eller i et vindue.
- ▶ Opbevar produkt og batterier utilgængeligt for børn og uvedkommende personer.
- ▶ Kontrollér produktet og batterierne for skader hver gang før brug og før og efter længere tids opbevaring.

8 Fejlsøgning

8.1 Fejlafhjælpning

Ved fejl, som ikke fremgår af denne tabel, eller som du ikke selv kan afhjælp, beder vi dig om at kontakte Hilti Service.

8.2 Borehammeryn er ikke funktionsdygtig

Fejl	Mulig årsag	Løsning
Borehammeryn starter ikke.	Borehammer overbelastet.	▶ Sluk borehammeryn, fjern batteriet, og anvend ikke borehammeryn mere.
Lysdioder er ikke aktive.	Batteriet er ikke korrekt isat.	▶ Bring batteriet i indgreb med et dobbeltklik.
	Aflad batteri.	▶ Udskift batteriet, og oplad det tomme batteri.
	Batteriet er for varmt eller for koldt.	▶ Bring batteriet op på den anbefalede arbejdstemperatur.
1 lysdiode blinker.	Aflad batteri.	▶ Udskift batteriet, og oplad det tomme batteri.
	Batteriet er for varmt eller for koldt.	▶ Bring batteriet op på den anbefalede arbejdstemperatur.
4 lysdioder blinker.	Borehammer kortvarigt overbelastet.	▶ Slip afbryderen, og betjen den igen.
	Overophedningsbeskyttelse.	▶ Lad borehammeryn køle af, og rengør ventilationsåbningerne.

8.3 Borehammeryn er funktionsdygtig

Fejl	Mulig årsag	Løsning
Ingen slagfunktion.	Borehammer for kold.	▶ Sæt borehammeryn på underlaget, og lad den køre i tomgang. Gentag om nødvendigt proceduren, indtil slagmekanismen arbejder.
	Funktionsvælger på "Boring uden slagfunktion" .	▶ Sæt funktionsvælgeren på "Hammerboring" T .
Omdrejningsreguleringen kan ikke trykkes ned eller er blokeret.	Omskifter til valg af højre-/venstreløb i midterposition.	▶ Tryk omskifteren til valg af højre-/venstreløb til højre eller venstre.



Fejl	Mulig årsag	Løsning
Maskinens spindel roterer ikke.	Den maks. tilladte driftstemperatur i borehammers elektroniske system er overskredet.	► Lad borehammern køle af.
	Aflad batteri.	► Udskift batteriet, og oplad det tomme batteri.
Borehammern slukkes automatisk.	Overbelastningsbeskyttelsen aktiveres.	► Slip afbryderen. Lad borehammern køle af. Betjen afbryderen igen. Reducer maskinens belastning.
Batteriet aflades hurtigere end normalt.	Batteritilstanden er ikke optimal.	► Udskift batteriet.
Batteriet går ikke i indgreb med et tydeligt dobbeltklik.	Låsetapperne på batteriet er beskidte.	► Rengør holdetapperne, og bring batteriet i indgreb igen.
Kraftig varmeudvikling i borehammer eller batteri.	Elektrisk defekt	► Sluk omgående borehammern. Tag batteriet ud, og hold øje med det. Lad det køle af. Kontakt Hilti Service .
	Borehammer overbelastet (anvendelsesgrænse overskredet).	► Vælg en maskine, der egner sig til opgaven.
Værktøjet kan ikke frigøres.	Borepatronen er ikke trukket helt tilbage.	► Træk værktøjslåsen tilbage indtil anslag, og tag værktøjet ud.
Værktøjet trænger ikke ind.	Borehammer indstillet til venstre-løb.	► Indstil omskifteren til valg af højre-/venstre-løb til højreløb.

9 Bortskaffelse

Størstedelen af de materialer, som anvendes ved fremstillingen af **Hilti**-produkter, kan genvindes. Materialerne skal sorteres, før de kan genvindes. I mange lande modtager **Hilti** dine udtjente maskiner med henblik på genvinding. Spørg **Hilti** kundeservice eller din forhandler.



- Elværktøj, elektriske maskiner og batterier må ikke bortskaffes sammen med almindeligt husholdningsaffald!

10 Producentgaranti

- Hvis du har spørgsmål vedrørende garantibetingelserne, bedes du henvende dig til din lokale **Hilti**-partner.

Originalbrugsanvisning

1 Anvisninger om brugsanvisning

1.1 Om denna brugsanvisning

- Läs noga igenom den här brugsanvisningen innan du använder verktyget. Det är en förutsättning för säkert arbete och problemfri hantering.
- Observera de säkerhets- och varningsanvisningar som du hittar i denna brugsanvisning och på produkten.
- Förvara alltid brugsanvisningen tillsammans med produkten och överlämna aldrig produkten till någon annan utan att bifoga den.

1.2 Teckenförklaring

1.2.1 Varningar

Varningarna är till för att varna för risker i samband med användning av produkten. Följande riskindikeringar används:



FARA

FARA !

- Anger överhängande risker som kan leda till svåra personskador eller dödsolycka.

VARNING

VARNING !

- Anger potentiella risker som kan leda till svåra personskador eller dödsfall.

FÖRSIKTIGHET

FÖRSIKTIGHET !

- Används för att uppmärksamma om en potentiell risksituation som kan leda till skador på person eller utrustning.

1.2.2 Symboler i bruksanvisningen

I den här bruksanvisningen används följande symboler:

	Observera bruksanvisningen
	Anmärkningar och annan praktisk information
	Hantering av återvinningsbara material
	Elverktyg och batterier får inte kastas i hushållssoporna
	Hilti litiumjonbatteri
	Hilti Batteriladdare

1.2.3 Symboler i bilderna

Följande symboler används i bilder:

	Dessa siffror hänvisar till motsvarande bild i början av bruksanvisningen.
	Numreringen i bilderna hänvisar till viktiga arbetsmoment eller viktiga komponenter för arbetsmomenten. I texten framhävs dessa arbetsmoment eller komponenter med motsvarande nummer, t.ex. (3).
	I bilden Översikt används positionsnummer och hänvisar till siffrorna i teckenförklaringen i avsnittet Produktöversikt .
	Det här tecknet är till för att du ska vara extra uppmärksam på något som gäller hur du hanterar produkten.

1.3 Produktberoende symboler

1.3.1 Symboler på produkten

Följande symboler kan förekomma på produkten:

	Borring utan slag
	Borring med slag (hammarborring)
	Rotationsriktning
n_0	Nominellt varvtal, obelastat
/min	Varv per minut
	Likström



Li-Ion	Litiumjonbatteri
	Hilti-litiumjonbatteriserie som används. Observera uppgifterna i kapitlet Avsedd användning .
	Använd aldrig batteriet som slagverktyg.
	Låt inte batteriet falla ner på marken. Använd inte batterier som har utsatts för slag eller på annat sätt har skadats.
	Verktyget stöder NFC-teknik, som är kompatibel med iOS- och Android-plattformar.

1.4 Produktinformation

HILTI-produkter är avsedda för professionella användare och får endast användas, underhållas och repareras av auktoriserad, utbildad personal. Personalen måste vara särskilt informerad om de risker som finns. Produkten och dess tillbehör kan utgöra en risk om den används på ett felaktigt sätt av utbildad personal eller inte används enligt föreskrifterna.

Typbeteckning och serienummer anges på typskylten.

- Använd de serienummer som anges i följande tabell. Du behöver produktuppgifterna när du kontaktar vår återförsäljare eller serviceverkstad.

Produktdetaljer

Typ:	TE 2-A22
Generation:	02
Serienr:	

1.5 Försäkran om överensstämmelse

Vi försäkrar på eget ansvar att den produkt som beskrivs här överensstämmer med tillämpliga direktiv och standarder. En bild på försäkran om överensstämmelse hittar du i slutet av dokumentationen.

Den tekniska dokumentationen finns sparad här:

Hilti Entwicklungsgesellschaft mbH | Zulassung Geräte | Hiltistraße 6 | 86916 Kaufering, Tyskland

2 Säkerhet

2.1 Allmänna säkerhetsföreskrifter för elverktyg

⚠ VARNING Läs noga igenom alla säkerhetsföreskrifter, anvisningar, avbildningar och tekniska data som medföljer detta elverktyg. Om nedanstående anvisningar inte följs, finns risk för elektriska stötar, brand och/eller svåra skador.

Förvara alla säkerhetsföreskrifter och anvisningarna på ett säkert ställe för framtida användning.

Begreppet "elverktyg" som används i säkerhetsföreskrifterna avser nätdrivna elverktyg (med nätkabel) och batteridrivna elverktyg (sladdlösa).

Säker arbetsmiljö

- Håll arbetsområdet rent och väl belyst. Oordning eller bristfällig belysning på arbetsplatsen kan leda till olyckor.
- Arbeta inte med elverktyget i omgivningar med explosionsrisk där det finns brännbara vätskor, gaser eller damm. Elverktyg alstrar gnistor som kan antända dammet eller gaserna.
- Håll barn och obehöriga personer på betryggande avstånd under arbetet med elverktyget. Om du störs av obehöriga personer kan du förlora kontrollen över verktyget.

Elsäkerhet

- Elverktygets elkontakt måste passa till vägguttaget. Elkontakten får absolut inte ändras. Använd inte adapterkontakter tillsammans med skyddsjordade elverktyg. Originalkontakter och lämpliga vägguttag minskar risken för elstötar.
- Undvik kroppskontakt med jordade ytor som rör, värmeelement, spisar och kylskåp. Det finns en större risk för elstötar om din kropp är jordad.
- Skydda elverktyget från regn och väta. Tränger vatten in i ett elverktyg ökar risken för elstötar.
- Använd inte anslutningskabeln på ett felaktigt sätt, t.ex. genom att bära eller hänga upp elverktyget i den eller dra i den för att lossa elkontakten ur vägguttaget. Håll anslutningskabeln på avstånd



från värmekällor, olja, vassa kanter och rörliga delar. Skadade eller tilltrasslade anslutningskablar ökar risken för elstötar.

- ▶ **När du arbetar med ett elverktyg utomhus, använd endast förlängningskablar som är avsedda för utomhusbruk.** Genom att använda en lämplig förlängningskabel för utomhusbruk minskar du risken för elstötar.
- ▶ **Om det är alldeles nödvändigt att använda verktyget i fuktig miljö ska du använda en jordfelsbrytare.** Användning av jordfelsbrytare minskar risken för elstötar.

Personssäkerhet

- ▶ **Var uppmärksam, ha uppsikt över vad du gör och använd elverktyget med förnuft. Använd aldrig elverktyg om du är trött eller påverkad av droger, alkohol eller medicin.** En kort sekund av bristande uppmärksamhet när du arbetar med ett elverktyg kan leda till att du skadar dig själv eller någon annan svårt.
- ▶ **Bär alltid personlig skyddsutrustning och skyddsglasögon.** Genom att använda personlig skyddsutrustning som t.ex. dammskyddsmask, halkfria säkerhetsskor, hjälm eller hörselskydd, beroende på vilket elverktyg du använder och till vad, minskar du risken för kroppsskada.
- ▶ **Undvik oavsiktlig igångsättning. Se till att elverktyget är fränkopplat innan du ansluter det till nätströmmen och/eller batteriet, tar upp det eller bär det.** Om du bär elverktyget med fingret på strömbrytaren eller ansluter ett tillkopplat verktyg till nätströmmen kan en olycka inträffa.
- ▶ **Ta bort alla inställningsverktyg och skruvnycklar innan du kopplar in elverktyget.** Ett verktyg eller en nyckel i en roterande komponent kan leda till skador.
- ▶ **Undvik en onormal kroppshållning. Se till att du står stadigt och håller balansen.** Då kan du lättare kontrollera elverktyget i oväntade situationer.
- ▶ **Bär lämpliga kläder. Bär inte löst hängande kläder eller smycken. Håll håret, kläderna och handskarna på avstånd från rörliga delar.** Löst hängande kläder, smycken och långt hår kan dras in av roterande delar.
- ▶ **När du använder elverktyg med anordningar för uppsugning och uppsamling av damm, bör du kontrollera att dessa anordningar är rätt monterade och används korrekt.** Används en dammsugare kan faror som orsakas av damm minskas.
- ▶ **Invagga dig inte i falsk säkerhet och strunta inte säkerhetsreglerna för elverktyg även om du har stor vana vid att arbeta med elverktyget.** Oförsiktig hantering kan leda till allvarliga skador inom bråkdelar av en sekund.

Användning och hantering av elverktyg

- ▶ **Överbelasta inte verktyget. Använd elverktyg som är avsedda för det aktuella arbetet.** Med ett lämpligt elverktyg kan du arbeta bättre och säkrare inom angivet effektområde.
- ▶ **Använd aldrig elverktyget om strömbrytaren är defekt.** Ett elverktyg som inte kan kopplas in eller ur är farligt och måste repareras.
- ▶ **Dra ut elkontakten ur uttaget och/eller ta i förekommande fall bort det löstagbara batteriet innan du gör inställningar, byter tillbehör eller lägger ifrån dig verktyget.** Denna skyddsåtgärd förhindrar att du eller någon annan råkar sätta igång elverktyget av misstag.
- ▶ **Förvara elverktyg oåtkomligt för barn. Verktyget får inte användas av personer som inte är vana eller inte har läst dessa anvisningar.** Elverktyg är farliga om de används av oerfarna personer.
- ▶ **Underhåll elverktygen och tillbehören noggrant. Kontrollera att rörliga komponenter fungerar felfritt och inte kärvar och att komponenter inte har brustit eller skadats så att elverktygets funktion påverkas negativt. Se till att skadade delar repareras innan verktyget används igen.** Många olyckor orsakas av dåligt skötta elverktyg.
- ▶ **Håll insatsverktygen skarpa och rena.** Omsorgsfullt skötta insatsverktyg med skarpa eggar kommer inte så lätt i kläm och går lättare att styra.
- ▶ **Använd elverktyg, tillbehör, insatsverktyg osv. enligt dessa anvisningar. Ta hänsyn till arbetsvillkoren och arbetsmomenten.** Används elverktyget på icke ändamålsenligt sätt kan farliga situationer uppstå.
- ▶ **Se till att handtaget och greppytorna är torra, rena och fria från olja och fett.** Med hala handtag och gripkort går det inte att hantera och kontrollera elverktyget säkert i oväntade situationer.

Användning och hantering av batteriverktyg

- ▶ **Ladda endast batterierna i de laddare som tillverkaren har rekommenderat.** Brandrisk kan uppstå om en laddare som är avsedd för en viss typ av batterier används för andra batterityper.
- ▶ **Använd endast batterier som är avsedda för aktuellt elverktyg.** Används andra batterier finns det risk för kroppsskada och brand.
- ▶ **Håll gem, mynt, nycklar, spikar, skruvar och andra små metallföremål på avstånd från reservbatterier för att undvika kortslutning av kontakterna.** En kortslutning av batteriets kontakter kan leda till brännskador eller brand.



- ▶ **Om batteriet används på fel sätt kan vätska rinna ur batteriet. Undvik kontakt med vätskan. Vid oavsiktlig kontakt, skölj med vatten. Om vätska kommer i kontakt med ögonen, uppsök dessutom läkare.** Batterivätskan kan orsaka hudirritation eller brännskada.
- ▶ **Använd aldrig skadade eller egenhändigt modifierade batterier.** Skadade eller modifierade batterier kan bete sig oförutsägbart och orsaka brand, explosioner eller risk för skador.
- ▶ **Utsätt aldrig batterier för öppen eld eller för höga temperaturer.** Öppen eld eller temperaturer över 130 °C (265 °F) kan orsaka explosion.
- ▶ **Följ alla anvisningar för laddning och ladda aldrig batteriet eller batteriverktyget vid temperaturer som ligger utanför det intervall som anges i bruksanvisningen.** Felaktigt utförd laddning eller laddning vid temperaturer utanför det tillåtna intervallet kan förstöra batteriet och öka risken för brand.

Service

- ▶ **Låt endast kvalificerad fackpersonal reparera elverktyget och använd då endast originalreservdelar.** Detta garanterar att verktygets säkerhet upprätthålls.
- ▶ **Utför aldrig underhåll på skadade batterier.** Underhåll av batterier får endast utföras av tillverkaren eller av auktoriserade kundservicecenter.

2.2 Säkerhetsföreskrifter för hammare

Säkerhetsanvisningar för alla arbeten

- ▶ **Bär hörselskydd.** Buller kan leda till hörselskador.
- ▶ **Använd de extrahandtag som levereras tillsammans med verktyget.** Tappar du kontrollen över verktyget kan det leda till skador.
- ▶ **Håll verktyget i de isolerade greppytorna medan du arbetar, eftersom det kan finnas risk att insatsverktyget stöter på en dold elledning.** Vid kontakt med en spänningssatt ledning kan metalldelar på verktyget spänningssättas och ge dig en stöt.

Säkerhetsanvisningar vid användning av långa borrh

- ▶ **Börja alltid att borra med lågt varvtal och med borrhspetsen i kontakt med arbetsstycket.** Om borrh tillåts rotera utan kontakt med arbetsstycket kan det vid högre varvtal lätt komma att böjas, med åtföljande risk för personskador.
- ▶ **Använd inte för hårt tryck mot arbetsstycket och rikta trycket endast rakt i borrhets längdriktning.** Följden kan annars bli att borrh böjs så att det går sönder, eller att du tappar kontrollen över verktyget med risk för personskador.

2.3 Ytterligare säkerhetsföreskrifter för borrhammare

Personsäkerhet

- ▶ Använd endast produkten och dess tillbehör om den är fullt funktionsduglig.
- ▶ Produkten eller dess tillbehör får inte byggas om eller ändras.
- ▶ Använd de extrahandtag som levereras tillsammans med produkten. Tappar du kontrollen över produkten kan det leda till skador.
- ▶ Vid genombrottsarbeten, tänk på att säkra området på motstående sida. Annars finns det risk för att det material som lossnar ramplar ner eller skjuter iväg och skadar människor i närheten.
- ▶ Håll alltid produkten i handtagen med båda händerna. Håll alltid handtaget torrt och rent.
- ▶ Håll i produktens isolerade greppytorna när du utför arbeten där insatsverktyget riskerar att stöta på dolda elledningar. Vid kontakt med en spänningssatt ledning kan metalldelar på verktyget spänningssättas och ge dig en stöt.
- ▶ Rör inte vid roterande delar – risk för personskada!
- ▶ Använd alltid skyddsglasögon, skyddshjälm, hörselskydd och lämpligt andningsskydd när du använder produkten.
- ▶ Använd skyddshandskar vid verktygsbyte. Det finns risk för skär- och brännskador vid beröring av nys använda insatsverktyg.
- ▶ Använd skyddsglasögon. Splitter kan skada oskyddade kroppsdelar och ögon.



- ▶ Damm som uppstår vid slipning, polering, kapning och borrning kan innehålla farliga kemikalier. Exempel på sådana är: bly eller blybaserade färger, tegel, betong och andra murverksprodukter, natursten och andra produkter som innehåller silikat, Vissa träslag som ek och bok samt kemiskt behandlat trä, asbest eller material som innehåller asbest. Fastställ exponeringen för användaren och personer i närheten av arbetsområdet genom att kontrollera vilken riskklass det material som ska bearbetas tillhör. Vidta nödvändiga åtgärder för att hålla exponeringen på en säker nivå. Använd t.ex. ett dammuppsamlingsystem eller bär lämpligt andningskydd. Allmänna åtgärder för att minska exponeringen är:
 - ▶ Arbeta i ett välventilerat utrymme,
 - ▶ Undvik längre kontakt med damm,
 - ▶ Led bort damm från ansiktet och kroppen,
 - ▶ Bär skyddskläder och tvätta exponerade områden med tvål och vatten.
- ▶ Ta ofta paus i arbetet och utför fingerövningar som ökar blodgenomströmningen i fingrarna. Vid långvarigt, ihållande arbete kan de starka vibrationerna ge besvär i blodkärl och nerver i fingrarna, händerna och handlederna.

Elektrisk säkerhet

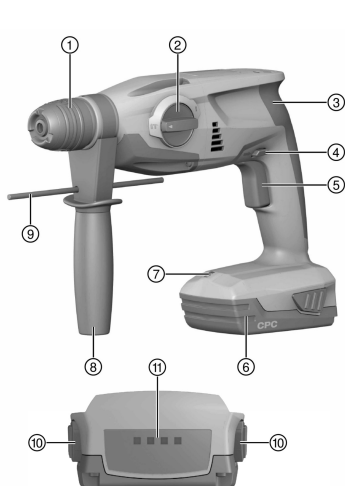
- ▶ Undersök om det finns dolda el-, gas- och vattenledningar inom arbetsområdet innan du påbörjar arbetet. Utanpåliggande metalldelar på produkten kan orsaka elstöt eller explosion om du skadar en el-, gas- eller vattenledning.

Omsorgsfull hantering och användning av elverktyg

- ▶ Stäng genast av produkten om insatsverktyget blockeras. Produkten kan vridas i sidled.
- ▶ Vänta tills produkten har stannat helt innan du lägger den ifrån dig.

3 Beskrivning

3.1 Produktöversikt



- ① ChuckTE-C Click
- ② Funktionsväljare
- ③ Handtag
- ④ Omkopplare för höger- och vänstervarv med påkopplings spärr
- ⑤ Strömbrytare
- ⑥ Batteri
- ⑦ Belysning för arbetsområdet
- ⑧ Sidohandtag
- ⑨ Djupmåt
- ⑩ Utlösningsknapp med extrafunktion för visning av laddningsstatus
- ⑪ Batteriets laddningsindikering

3.2 Avsedd användning

Den beskrivna produkten är en batteridrivna borrar. Den är avsedd för borrning i stål, trä och tegel, för hammarbörning i betong och tegel och för skruvdragning.

- Använd endast **Hilti** litiumjonbatterier av typen Li-Ion B 22 med produkten.
- Använd endast batteriladdare som är godkända av **Hilti** till dessa batterier. Mer information finns i din **Hilti Store** eller på: www.hilti.group



3.3 Indikering för litiumjonbatteriet

När du använder litiumjonbatteriet kan du ta reda på vad det har för laddningsstatus genom att trycka på en av utlösningknapparna.

Status	Betydelse
4 lysdioder lyser.	Laddningsstatus: 75 % till 100 %
3 lysdioder lyser.	Laddningsstatus: 50 % till 75 %
2 lysdioder lyser.	Laddningsstatus: 25 % till 50 %
1 lysdiod lyser.	Laddningsstatus: 10 % till 25 %
1 LED blinkar.	Laddningsstatus: < 10 %

Under pågående arbete och strax efteråt går det inte att läsa av laddningsstatus. Läs anvisningarna i kapitlet Felsökning om batteriets lysdioder för laddningsindikering blinkar.

3.4 Leveransinnehåll

Borrhammare, sidohandtag, djupmått, bruksanvisning.

Dammsugarmodulen TE DRS-S rekommenderas som tillbehör för arbeten där det inte uppstår så mycket damm.

Dessutom finns fler systemprodukter för din produkt både i närmaste **Hilti Store** och på nätet: www.hilti.group

4 Teknisk information

4.1 Borrhammare

	TE 2-A22
Märkspänning	21,6 V
Vikt enligt EPTA Procedure 01 inklusive batteri B228.0	3,3 kg
Borrhålsdiameter i betong/tegel (hammarborrning)	4 mm ... 16 mm
Borrhålsdiameter i metall (massivt trä)	0 mm ... 10 mm
Maximal längd djupmått	180 mm

4.2 Bullerinformation och vibrationsvärden enligt EN 62841

De ljudtrycks- och vibrationsvärden som anges i anvisningarna har uppmätts med en standardiserad mätmetod och kan användas för att jämföra olika elverktyg med varandra. De kan också användas för att göra en preliminär uppskattning av exponeringarna.

De angivna värdena representerar elverktygets huvudsakliga användning. När elverktyget begagnas inom andra områden, med andra insatsverktyg eller med otillräckligt underhåll, kan mätning ge avvikande värden. Det innebär att exponeringen under den totala arbetstiden kan ökas betydligt.

För att uppskattningen av exponeringarna ska bli exakt bör man också räkna in de tider då elverktyget är avstängt eller då det är påslaget men inte används. Det kan betydligt minska exponeringen under den totala arbetstiden.

Vidta även andra säkerhetsåtgärder för att skydda användaren mot effekterna av buller och vibrationer, exempelvis: underhåll av elverktyg och insatsverktyg, möjlighet att hålla händerna varma, välorganiserade arbetsförlopp.

Bullerinformation

Ljudeffektnivå (L_{WA})	103 dB(A)
Ljudtrycksnivå (L_{pA})	92 dB(A)
Osäkerhet (ljudvärde) (K_{pA} och K_{WA})	3 dB(A)



Sammanlagt vibrationsvärde

Borring i metall (a_{h, D})	B 22/2.6 Li-lon (01)	2,5 m/s ²
Hammarborring i betong (a_{h, HD})	B 22/2.6 Li-lon (01)	12,7 m/s ²
Osäkerhet (sammanlagt vibrationsvärde)		1,5 m/s ²

4.3 Batteri

Batteriets driftspänning	21,6 V
Omgivningstemperatur vid drift	-17 °C ... 60 °C
Förvaringstemperatur	-20 °C ... 40 °C
Batteritemperatur när laddningen påbörjas	-10 °C ... 45 °C

5 Användning**5.1 Förberedelser för arbete****⚠ VARNING****Risk för personskada till följd av oavsiktlig start!**

- ▶ Kontrollera att produkten är avstängd innan du sätter i batteriet.
- ▶ Ta alltid bort batteriet innan du gör några inställningar på verktyget eller byter tillbehörsdelar.

Observera de säkerhets- och varningsanvisningar som du hittar i dokumentationen och på själva enheten.

5.1.1 Montera sidohandtag 4

1. Vrid på handtaget för att lossa sidohandtagsfästet (spännbandet).
2. Skjut fästet framifrån över chucken tills det går i det därför avsedda spåret.
3. Placera sidohandtaget i önskat läge.
4. Vrid på handtaget för att spänna fast sidohandtagsfästet (spännbandet).

5.1.2 Sätta i batteriet 2

1. Sätt i batteriet i verktygshållaren så att du hör att det klickar fast.
2. Kontrollera att batteriet sitter stadigt.

5.1.3 Ta ut batteriet 3

1. Tryck på knappen för batteriets låsspärr.
2. Dra batteriet bakåt och ut.

5.1.4 Byta insatsverktyg 5

1. Fetta in insticksänden på insatsverktyget en aning.
 - ▶ Använd endast originalfett från Hilti. En felaktigt fett kan orsaka skador på verktyget.
2. Stick in insatsverktyget i chucken så att det går i lås.
3. Dra i verktyget efter insättningen för att kontrollera att det sitter ordentligt fast.
 - ▶ Nu är produkten färdig att användas.

5.1.5 Ta ur insatsverktyg 3**⚠ FÖRSIKTIGHET****Risk för personskada från insatsverktyg!** Insatsverktyget kan vara hett och ha skarpa kanter.

- ▶ Använd alltid skyddshandskar när du byter insatsverktyg.
- ▶ Dra chuckhylsan tillbaka till anslag och ta ut insatsverktyget.

5.1.6 Montera djupmått (tillval) 7

1. Vrid på handtaget för att lossa sidohandtagsfästet (spännbandet).
2. Skjut in djupmättet framifrån i de två genomföringshålen.



- Vrid på handtaget för att späna fast sidohandtagsfästet (spännbandet).

5.2 Arbeta

FÖRSIKTIGHET

Risk för skador till följd av felaktig hantering!

- Använd inte rotationsriktningsomställaren och/eller funktionsväljaren under drift.

Observera de säkerhets- och varningsanvisningar som du hittar i dokumentationen och på själva enheten.

5.2.1 Arbetsplatsbelysning



Lysdioden aktiveras automatiskt när strömbrytaren aktiveras. När du släpper strömbrytaren slocknar lysdioden långsamt.

- Tryck in strömbrytaren.

5.2.2 Rotationsriktning

- Ställ in rotationsriktning.
 - Omkopplaren snäpps fast i den här positionen.

5.2.3 Borring utan slag

- Ställ funktionsväljaren på den här symbolen:

5.2.4 Borring med slag

- Ställ funktionsväljaren på den här symbolen:

6 Skötsel och underhåll

6.1 Skötsel och underhåll



VARNING

Risk för personskada vid anslutet batteri !

- Ta alltid bort batteriet innan skötsel och underhåll utförs!

Skötsel av produkten

- Ta försiktigt bort smuts som sitter fast.
- Rengör ventilationsspringorna försiktigt med en torr och mjuk borste i förekommande fall.
- Rengör höljet bara med en lätt fuktad trasa. Använd inte rengöringsmedel med silikon, eftersom det kan skada plastdelarna.
- Använd en ren och torr trasa för att rengöra produktens kontakter.

Skötsel av litiumjonbatterier

- Använd aldrig ett batteri med tilltäppta ventilationsspringor. Rengör ventilationsspringorna försiktigt med en torr och mjuk borste.
- Undvik att utsätta batteriet för onödigt mycket damm eller smuts. Utsätt aldrig batteriet för hög fukt (t.ex. genom att sänka ner det i vatten eller låta det stå i regnet).
Om ett batteri har blivit genomblött ska det hanteras som ett skadat batteri. Förvara det i en brandsäker behållare och kontakta **Hilti**-service.
- Håll batteriet fritt från främmande olja och fett. Låt inte onödigt mycket damm eller smuts ansamlas på batteriet. Rengör batteriet med en mjuk borste eller en ren och torr trasa. Använd inte rengöringsmedel med silikon, eftersom det kan skada plastdelarna.
Rör inte vid batteriets kontakter och ta inte bort fett på kontakterna som har applicerats i fabriken.
- Rengör höljet bara med en lätt fuktad trasa. Använd inte rengöringsmedel med silikon, eftersom det kan skada plastdelarna.

Underhåll

- Kontrollera regelbundet att inga synliga delar har skadats och att alla reglage fungerar som de ska.
- Använd inte produkten om den uppvisar skador eller funktionsstörningar. Låt **Hilti** Service reparera produkten omgående.



- Efter skötsel- och underhållsarbeten ska alla skyddsanordningar monteras igen och kontrolleras.



Använd endast originalreservdelar och förbrukningsmaterial för säker drift. Godkända reservdelar, förbrukningsmaterial och tillbehör till din produkt från **Hilti** hittar du i närmaste **Hilti Store** eller på: www.hilti.group

6.2 Rengöring av dammskyddskåpan

- ▶ Rengör regelbundet dammskyddet på chucky med en ren, torr torckduk.
- ▶ Torka försiktigt läpptätningen ren och fetta på nytt i den lätt med **Hilti**-fett.
- ▶ Byt ut dammskyddet om läpptätningen har skadats.

7 Transport och förvaring

7.1 Transport och förvaring av sladdlösa verktyg och batterier

Transport



FÖRSIKTIGHET

Oavsiktlig start under transport. !

- ▶ Transportera alltid produkten utan insatta batterier.
- ▶ Ta ut batteriet/batterierna.
- ▶ Transportera aldrig batterierna löst liggande. Under transport ska batterierna skyddas mot alltför hårda stötar och vibrationer samt hållas isolerade från eventuella ledande material eller andra batterier så att de inte kommer i kontakt med andra batteripoler och orsakar en kortslutning. **Observera lokala transportföreskrifter för batterier.**
- ▶ Batterier får inte skickas per post. Vänd dig till ett fraktbolag om du vill skicka intakta batterier.
- ▶ Kontrollera produkt och batterier före varje användning samt före och efter längre transport för att se till att de inte är skadade.

Förvaring



VARNING

Oavsiktlig skada på grund av trasiga eller läckande batterier. !

- ▶ Förvara alltid produkten utan insatta batterier.
- ▶ Förvara produkt och batterier svalt och torrt. Följ de temperaturgränsvärden som anges i den tekniska informationen.
- ▶ Förvara inte batterierna i batteriladdaren. Ta alltid ur batteriet ur laddaren när laddningen är klar.
- ▶ Förvara aldrig batterier i solen, på värmekällor eller bakom glas.
- ▶ Förvara produkt och batteri utom räckhåll för barn och obehöriga personer.
- ▶ Kontrollera produkt och batterier före varje användning samt före och efter längre tids förvaring för att se till att de inte är skadade.

8 Felsökning

8.1 Felsökning

Kontakta **Hilti Service** om det uppstår ett fel som inte finns med i den här tabellen eller som du inte lyckas åtgärda på egen hand.



8.2 Borrhammaren fungerar inte

Fel	Möjlig orsak	Lösning
Borrhammaren startar inte.	Borrhammaren har överlastats.	▶ Koppla ur borrhammaren, ta bort batteriet och använd inte borrhammaren mer.
Lysdioderna visar inget.	Batteriet har inte satts in helt.	▶ Sätt in batteriet så att ett dubbelklick hörs.
	Batteriet är urladdat.	▶ Byt batteri och ladda det tomma batteriet.




Fel	Möjlig orsak	Lösning
Lysdioderna visar inget.	Batteriet för varmt eller för kallt.	► Låt batteriet få rekommenderad arbetstemperatur.
1 lysdiod blinkar.	Batteriet är urladdat.	► Byt batteri och ladda det tomma batteriet.
	Batteriet för varmt eller för kallt.	► Låt batteriet få rekommenderad arbetstemperatur.
4 lysdioder blinkar.	Borrhammaren har överlastats under en kortare tid.	► Släpp strömbrytaren och tryck in den igen.
	Överhettningsskydd.	► Låt borrhammaren svalna och rengör ventilationspringan.

8.3 Borrhammaren fungerar

Fel	Möjlig orsak	Lösning
Inget slag.	Borrhammaren är för kall.	► Sätt borrhammaren på underlaget och kör den i tomgång. Upprepa detta om så krävs, tills slagmekanismen kommer igång.
	Funktionsväljaren på "borrning utan slag"  .	► Sätt funktionsväljaren på "hammarborrning"  .
Strömbrytaren kan inte tryckas ner resp. är spärrad.	Omkopplaren för höger- och vänstervarv i mittenläge.	► Tryck omkopplaren för höger- och vänstervarv åt höger eller vänster.
Verktygsspindeln roterar inte.	Tillåten drifttemperatur för borrhammarens elektronik har överskridits.	► Låt borrhammaren svalna.
	Batteriet är urladdat.	► Byt batteri och ladda det tomma batteriet.
Borrhammaren kopplas från automatiskt.	Överlastskyddet utlöses.	► Lossa på strömbrytaren. Låt borrhammaren svalna. Använd strömbrytaren igen. Minska verktygsbelastningen.
Batteriet laddas ur fortare än vanligt.	Batteriet fungerar inte optimalt.	► Byt ut batteriet.
Batteriet hakar inte i med ett hörbart "dubbelklick".	Batteriets låsmekanism är smutsig.	► Rengör låsmekanismen och sätt i batteriet igen.
Stark värmeutveckling i borrhammaren eller batteriet.	Elektriskt fel	► Koppla genast från borrhammaren. Ta bort batteriet och granska det. Låt det svalna. Kontakta Hilti-service .
	Borrhammaren har överlastats (applikationsgräns överskriden).	► Välj ett verktyg som passar för uppgiften.
Det går inte att ta ut insatsverktyget ur chucken.	Chucken har inte dragits tillbaka helt.	► Dra chuckhylsan tillbaka till anslag och ta ut verktyget.
Insatsverktyget tränger inte in i underlaget.	Borrhammaren har kopplats till vänstervarv.	► Ställ omkopplaren för höger- och vänstervarv på högervarv.

9 Avfallshantering

 **Hilti**-verktyg är till stor del tillverkade av återvinningsbara material. En förutsättning för återvinning är att materialen separeras på rätt sätt. I många länder kan du lämna in ditt uttjänta verktyg så att **Hilti** tar hand om det. Hör efter med **Hiltis** kundtjänst eller din kontaktperson.



- Kasta inte elverktyg, elektronisk apparatur och batterier i hushållssoporna.



- ▶ Vänd dig till din lokala **Hilti**-representant om du har frågor om garantivillkoren.

Original bruksanvisning

1 Informasjon om bruksanvisningen

1.1 Om denne bruksanvisningen

- Det er viktig at bruksanvisningen leses før produktet brukes for første gang. Dette er en forutsetning for sikkerhet under arbeidet og problemfri bruk.
- Følg sikkerhetsanvisningene og advarslene i denne bruksanvisningen og på produktet.
- Oppbevar alltid bruksanvisningen sammen med produktet, og sørg for at bruksanvisningen alltid følger med hvis produktet overtas av andre personer.

1.2 Symbolforklaring

1.2.1 Farehenvisinger

Farehenvisinger advarer mot farer under håndtering av produktet. Følgende signalord brukes:

FARE

FARE !

- ▶ For en umiddelbart truende fare som kan føre til alvorlige personskader eller død.

ADVARSEL

ADVARSEL !

- ▶ Varsler en mulig fare som kan føre til alvorlige personskader eller død.







FORSIKTIG

FORSIKTIG !

- ▶ Varsler om en mulig farlig situasjon som kan føre til personskade eller materiell skade.


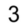

1.2.2 Symboler i bruksanvisningen

Følgende symboler benyttes i denne bruksanvisningen:

	Følg bruksanvisningen
	Bruksanvisninger og andre nyttige opplysninger
	Håndtering av resirkulerbare materialer
	Ikke kast elektriske apparater eller batterier i husholdningsavfallet
	Hilti li-Ion-batteri
	Hilti Lader

1.2.3 Symboler i illustrasjoner

Følgende symboler brukes i illustrasjonene:

	Disse tallene viser til illustrasjonen i begynnelsen av denne bruksanvisningen.
	Nummereringen i illustrasjoner henviser til viktige arbeidstrinn eller viktige komponenter for arbeidstrinnene. I teksten i blir disse arbeidstrinnene eller komponentene markert med tilhørende numre, f.eks. (3) .
	Posisjonsnumrene brukes i illustrasjonen Oversikt og henviser til numrene på teksten i avsnittet Produktoversikt .





Dette symbolet betyr at håndtering av produktet krever stor grad av oppmerksomhet.

1.3 Produktavhengige symboler

1.3.1 Symboler på produktet

Følgende symboler kan brukes på produktet:

	Boring uten slag
	Boring med slag (hammerboring)
	Høyre-/venstregang
n_0	Nominelt tomgangsturtall
/min	Omdreining per minutt
	Likestrøm
Li-Ion	Li-ion-batteri
	Brukt Hilti Li-Ion-batteriserie. Følg anvisningene i kapitlet Forskriftsmessig bruk .
	Bruk aldri batteriet som slagverktøy.
	Ikke mist ned batteriet. Ikke bruk et batteri som har vært utsatt for støt eller er skadet på annen måte.
	Maskinen støtter NFC-teknologi som er kompatibel med iOS- og Android-plattformer.

1.4 Produktinformasjon

HILTI-produkter er laget for profesjonell bruk og må kun brukes, vedlikeholdes og repareres av kyndig personale. Dette personalet må informeres om eventuelle farer som kan oppstå. Produktet og tilleggsutstyr kan utgjøre en fare hvis det betjenes av ukvalifisert personale eller det benyttes feil.

Typebetegnelse og serienummer står på typeskiltet.

- Skriv inn serienummeret i tabellen nedenfor. Du trenger produktspesifikasjonene ved henvendelser til Hiltis representant eller servicesenter.

Produktspesifikasjoner

Type:	TE 2-A22
Generasjon:	02
Serienummer:	

1.5 Samsvarserklæring

Vi erklærer herved at produktet som er beskrevet her, overholder gjeldende normer og direktiver. Du finner et bilde av samsvarserklæringen på slutten av denne dokumentasjonen.

Den tekniske dokumentasjonen er lagret her:

Hilti Entwicklungsgesellschaft mbH | Zulassung Geräte | Hiltistraße 6 | 86916 Kaufering, DE

2 Sikkerhet

2.1 Generelle sikkerhetsregler for elektroverktøy

⚠ ADVARSEL Les alle sikkerhetsanvisninger, instruksjer, illustrasjoner og tekniske data som elektroverktøyet er utstyrt med. Manglende overholdelse av anvisningene nedenfor kan medføre elektrisk støt, brann og/eller alvorlige personskader.

Overhold alle sikkerhetsanvisninger og instruksjoner i hele bruksperioden.



Begrepet "elektroverktøy" som er brukt i sikkerhetsanvisningene, viser til nettdrevne elektroverktøy (med nettkabel) eller til batteridrevne elektroverktøy (uten nettkabel).

Sikkerhet på arbeidsplassen

- ▶ **Hold arbeidsområdet rent og godt opplyst.** Rotete eller dårlig belyste arbeidsområder kan føre til ulykker.
- ▶ **Bruk ikke elektroverktøyet i eksplosjonsfarlige omgivelser hvor det befinner seg brennbare flytende stoffer, gasser eller støv.** Elektroverktøy lager gnister som kan antenne støv eller damp.
- ▶ **Hold barn og andre personer på sikker avstand mens elektroverktøyet brukes.** Hvis du blir forstyrret under arbeidet, kan du miste kontrollen over verktøyet.

Elektrisk sikkerhet

- ▶ **Elektroverktøyets støpsele må passe i stikkkontakten. Støpselet må ikke forandres på noen som helst måte. Bruk ikke adapterkontakt på jordete elektroverktøy.** Uendrede støpsler og egnede stikkontakter minsker risikoen for elektrisk støt.
- ▶ **Unngå kroppskontakt med jordete overflater som rør, radiatorer, komfyrer eller kjøleskap.** Risikoen for elektriske støt er høyere når kroppen er jordet.
- ▶ **Hold elektroverktøyet unna regn og fuktighet.** Risikoen for elektrisk støt øker ved inntrenging av vann i et elektroverktøy.
- ▶ **Bruk ikke ledningen til å bære elektroverktøyet, henge det opp eller til å dra støpselet ut av stikkkontakten. Hold ledningen unna varme, olje, skarpe kanter og deler som beveger seg.** Skadde eller sammenviklede ledninger øker risikoen for elektriske støt.
- ▶ **Bruk kun skjøteledninger som også er godkjent for utendørs bruk når du arbeider med et elektroverktøy utendørs.** Bruk av skjøteledning som er egnet til utendørs bruk, minsker risikoen for elektrisk støt.
- ▶ **Må elektroverktøyet brukes i fuktige omgivelser, er det nødvendig å bruke en jordfeilbryter.** Bruk av en jordfeilbryter reduserer risikoen for elektrisk støt.

Personsikkerhet

- ▶ **Vær oppmerksom, pass på hva du gjør, og gå fornuftig fram under arbeidet med et elektroverktøy. Ikke bruk elektroverktøy når du er trøtt eller påvirket narkotika, alkohol eller medikamenter.** Et øyeblikks uoppmerksomhet ved bruk av elektroverktøyet kan være nok til å forårsake alvorlige personskader.
- ▶ **Bruk alltid personlig verneutstyr og vernebriller.** Bruk av personlig verneutstyr som støvmaske, sklisikre vernesko, hjelm eller hørselsvern – avhengig av type og bruk av elektroverktøyet – reduserer risikoen for skader.
- ▶ **Unngå utilsiktet start. Forsikre deg om at elektroverktøyet er slått av før du setter i stikkkontakten eller batteriet og før du løfter eller flytter elektroverktøyet.** Hvis du holder fingeren på bryteren når du bærer elektroverktøyet, eller kobler elektroverktøyet til strøm i innkoblet tilstand, kan dette føre til uhell.
- ▶ **Fjern justeringsverktøy og skrunøkkel før du slår på elektroverktøyet.** Et verktøy eller en nøkkel som befinner seg i en roterende maskindel, kan føre til skader.
- ▶ **Unngå uhensiktsmessige arbeidsposisjoner. Sørg for å stå stødig og i balanse.** Dermed kan du kontrollere elektroverktøyet bedre i uventede situasjoner.
- ▶ **Bruk egnede klær. Ikke bruk vide klær eller smykker. Hold hår, tøy og hansker unna deler som beveger seg.** Løstsittende tøy, smykker eller langt hår kan komme inn i deler som beveger seg.
- ▶ **Hvis det er montert støvavsugs- og oppsamlingsinnretninger, må det kontrolleres at disse er koblet til og blir brukt på riktig måte.** Bruk av støvavsug kan redusere faremomentene i forbindelse med støv.
- ▶ **Ikke føl deg for trygg og ikke bryt sikkerhetsreglene for elektroverktøy, heller ikke når du etter lang tids bruk er blitt fortrolig med elektroverktøyet.** Et øyeblikks uaktsomhet kan føre til alvorlige personskader.

Bruk og behandling av elektroverktøyet

- ▶ **Ikke overbelast verktøyet. Bruk et elektroverktøy som er beregnet til den type arbeid du vil utføre.** Med et passende elektroverktøy arbeider du bedre og sikrer i det angitte effektområdet.
- ▶ **Ikke bruk elektroverktøy med defekt bryter.** Et elektroverktøy som ikke lenger kan slås av eller på, er farlig og må repareres.
- ▶ **Dra ut støpselet fra stikkkontakten og/eller ta ut et uttakbart batteri før du foretar maskininnstillinger, bytter tilleggsutstyr eller legger bort verktøyet.** Disse tiltakene forhindrer utilsiktet start av elektroverktøyet.
- ▶ **Oppbevar elektroverktøy som ikke brukes, utenfor barns rekkevidde. La ikke personer som ikke er fortrolige med verktøyet eller ikke har lest disse instruksjonene, bruke verktøyet.** Elektroverktøy er farlige når de brukes av uerfarne personer.



- ▶ **Sørg for grundig stell og vedlikehold av elektroverktøyet med tilbehør. Kontroller at bevegelige deler på elektroverktøyet fungerer feilfritt og ikke klemmes fast, og at ingen deler er brukt eller skadet, slik at dette inngirer på elektroverktøyet funksjon. La skadde deler repareres før elektroverktøyet brukes.** Mange ulykker er et resultat av dårlig vedlikeholdte elektroverktøy.
- ▶ **Hold skjæreverktøy skarpe og rene.** Godt vedlikeholdte skjæreverktøy med skarpe skjærekanten blir sjeldnere fastklemt og er lettere å styre.
- ▶ **Bruk elektroverktøy, tilbehør, arbeidsverktøy osv. i overensstemmelse med denne anvisningen.** Ta hensyn til arbeidsforholdene og arbeidet som skal utføres. Bruk av elektroverktøy til andre formål enn det som er angitt, kan føre til farlige situasjoner.
- ▶ **Hold håndtak og gripeflater tørre, rene og frie for olje og fett.** Glatte håndtak og gripeflater gir ikke sikker betjening og kontroll av elektroverktøyet i uforutsette situasjoner.

Bruk og behandling av det batteridrevne elektroverktøyet

- ▶ **Bruk kun ladere som er anbefalt av produsenten når du skal lade batteriene.** Det oppstår brannfare når det brukes andre batterier i en lader enn dem laderen er egnet for.
- ▶ **Bruk bare batterier som er beregnet for de forskjellige elektroverktøyene.** Bruk av andre batterier kan medføre skader og brannfare.
- ▶ **Unngå å oppbevare ubrukte batterier i nærheten av binders, mynter, nøkler, nagler, skruer eller andre små metallgjenstander som kan forårsake kortslutning av kontakten.** En kortslutning mellom batterikontaktene kan føre til forbrenninger eller brann.
- ▶ **Ved feil bruk kan væske lekke fra batteriet. Unngå kontakt med denne væsken. Ved tilfeldig kontakt må det skylles med vann. Hvis det kommer væske i øynene, må du i tillegg oppsøke lege.** Batterivæske som renner ut, kan føre til irritasjoner på huden eller forbrenninger.
- ▶ **Ikke bruk batterier som er skadde eller modifiserte.** Skadde eller modifiserte batterier kan oppføre seg uforutsigbart og forårsake brann, eksplosjon eller personskade.
- ▶ **Ikke utsett batteriet for åpen ild eller høye temperaturer.** Ild eller temperaturer over 130 °C (265 °F) kan forårsake eksplosjon.
- ▶ **Følg alle anvisningene for lading, og lad aldri batteriet eller det batteridrevne verktøyet utenfor temperaturområdet som er angitt i bruksanvisningen.** Feil lading eller lading utenfor det tillatte temperaturområdet kan ødelegge batteriet og øke brannfaren.

Service

- ▶ **Elektroverktøyet må kun repareres av kvalifisert fagpersonale og kun med originale reservedeler.** Slik opprettholdes maskinens sikkerhet.
- ▶ **Vedlikehold ikke skadde batterier.** Alt vedlikehold på batterier skal utføres av produsenten eller et godkjent serviceverksted.

2.2 Sikkerhetsanvisninger for borhammere

Sikkerhetsanvisninger for alt arbeid

- ▶ **Bruk hørselsvern.** Påvirkning av støy kan føre til hørselstap.
- ▶ **Bruk håndtakene som leveres med maskinen.** Tap av kontroll kan føre til skader.
- ▶ **Hold maskinen i de isolerte håndtakene når du utfører arbeid der verktøyet kan komme i kontakt med elektriske ledninger.** Kontakt med en spenningsførende ledning kan også sette maskinens metalldele under spenning og føre til elektrisk støt.

Sikkerhetsanvisninger ved bruk av lange bor

- ▶ **Begynn alltid å bore med lavt turtall og mens boret er i kontakt med arbeidsemnet.** Ved høyere turtall kan boret lett bøyes når det kan rotere fritt uten kontakt med arbeidsemnet, og dette kan føre til personskader.
- ▶ **Ikke trykk for hardt på boret, og trykk bare i lengderetningen i forhold til boret.** Bor kan bøyes og dermed brette eller føre til tap av kontroll og personskader.

2.3 Ekstra sikkerhetsanvisninger for borhammer

Personsikkerhet

- ▶ Bruk produktet og tilbehøret bare i teknisk feilfri stand.
- ▶ Ikke foreta manipulering eller endring av produktet eller tilbehør.
- ▶ Bruk håndtakene som leveres med produktet. Tap av kontroll kan føre til personskader.
- ▶ Ved gjennombruddsarbeid må området på den andre siden sikres. Deler som brytes ut, kan falle ut og/eller ned og skade andre personer.
- ▶ Hold alltid maskinen fast med begge hender i håndtakene som er beregnet til formålet. Hold håndtakene tørre og rene.



- ▶ Hold produktet i de isolerte håndtakene når du utfører arbeid der verktøyet kan komme i kontakt med elektriske ledninger. Kontakt med en spenningsførende ledning kan også sette maskinens metalldele under spenning og føre til elektrisk støt.
- ▶ Unngå å berøre de roterende delene. Fare for personskader!
- ▶ Benytt øyevern, hjelm, hørselsvern og en egnet støvmaske ved bruk av produktet.
- ▶ Bruk vernehansker ved skifte av verktøy. Berøring av innsatsverktøyet kan føre til kuttskader og forbrenninger.
- ▶ Bruk øyevern. Splintret materiale kan skade kroppen og øynene.
- ▶ Støv som oppstår ved sliping, smergling, kapping og boring kan inneholde farlige kjemikalier. Noen eksempler er: bly eller blybasert maling; tegl, betong og andre murverksprodukter, naturstein og andre silikatholdige produkter; bestemt tresorter, slik som eik, bøk og kjemisk behandlet trevirke; asbest eller asbestholdige materialer. Kartlegg hvor eksponert brukeren og personer i nærheten er ved hjelp av fareklassen til materialene som det arbeides med. Treff nødvendige tiltak for å holde eksponeringen på et trygt nivå, f.eks. ved å bruke et støvoppsamlingsystem eller egnet åndedrettsvern. Til de generelle tiltakene for å redusere eksponeringen hører:
 - ▶ arbeid i et godt ventilert område,
 - ▶ unngå langvarig kontakt med støv,
 - ▶ led bort støv fra ansikt og kropp,
 - ▶ bruk verneutstyr og vask eksponerte områder med vann og såpe.
- ▶ Ta hyppige pauser og gjør øvelser for å øke blodgjennomstrømmingen i fingrene. Ved langvarig arbeid kan kraftige vibrasjoner føre til forstyrrelser i blodkar eller nervesystemet i fingre, hender eller håndledd.

Elektrisk sikkerhet

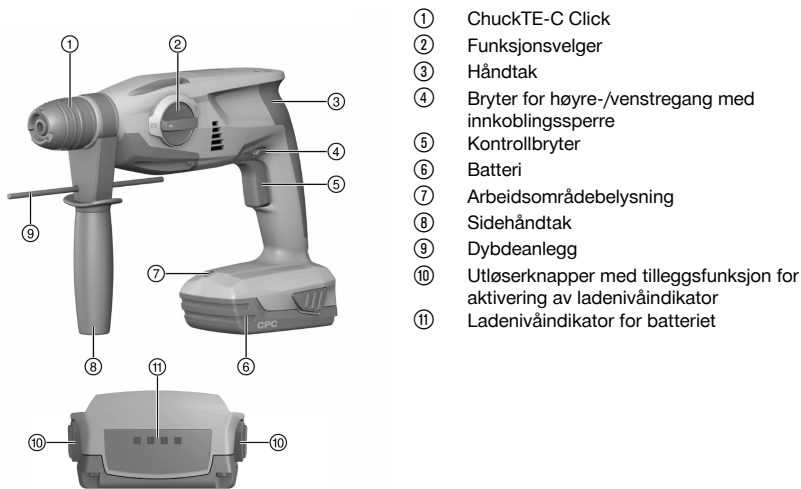
- ▶ Kontroller før arbeidet påbegynnes at det ikke finnes skjulte strømledninger, gass- eller vannrør i arbeidsområdet. Utvendige metalldele på produktet kan forårsake elektrisk støt eller en eksplosjon dersom du skader en strømledning, et gass- eller vannrør.

Forsiktig behandling og bruk av elektroverktøy

- ▶ Slå produktet av umiddelbart hvis innsatsverktøyet setter seg fast. Produktet kan gli ut til siden.
- ▶ Vent til produktet har stanset helt før du legger det fra deg.

3 Beskrivelse

3.1 Produktoversikt



- ① ChuckTE-C Click
- ② Funksjonsvelger
- ③ Håndtak
- ④ Bryter for høyre-/venstregang med innkoblingssperre
- ⑤ Kontrollbryter
- ⑥ Batteri
- ⑦ Arbeidsområdebelysning
- ⑧ Sidehåndtak
- ⑨ Dybdeanlegg
- ⑩ Utløserknapper med tilleggsfunksjon for aktivering av ladenivåindikator
- ⑪ Ladenivåindikator for batteriet

3.2 Forskriftsmessig bruk

Det beskrevne produktet er en batteridrevet borhammer. Den er beregnet til hammerboring i betong og mur, boring i stål, tre og mur og til innskruing og løsning av skruer.



- Til dette produktet må det bare brukes **Hilti** Li-Ion-batterier i serien B 22.
- Bruk bare ladere som er godkjent av **Hilti** til disse batteriene. Du finner mer informasjon i **Hilti Store** eller under: www.hilti.group

3.3 Indikator for Li-Ion-batteriet

Ved bruk av Li-Ion-batterier kan ladenivået vises ved å trykke på en av låseknappene.

Tilstand	Betydning
4 LED-er lyser.	Ladenivå: 75 % til 100 %
3 LED-er lyser.	Ladenivå: 50 % til 75 %
2 LED-er lyser.	Ladenivå: 25 % til 50 %
1 LED lyser.	Ladenivå: 10 % til 25 %
1 LED blinker.	Ladenivå: < 10 %

Mens arbeidet pågår, og umiddelbart etterpå, er det ikke mulig å vise ladenivået. Ved blinkende LED-er på batteriets ladenivåindikator må du følge henvisningene i kapitlet om feilsøking.

3.4 Dette følger med:

Borhammer, sidehåndtak, dybdeanlegg, bruksanvisning.

Støvmодulen TE DRS-S tilbys som tilbehør for å kunne arbeide med liten støvdannelse.

I tillegg finner du tillatte systemprodukter til produktet hos nærmeste **Hilti Store** eller under: www.hilti.group

4 Tekniske data

4.1 Borhammer

	TE 2-A22
Merkespennning	21,6 V
Vekt i henhold til EPTA Procedure 01 med batteri B228.0	3,3 kg
Boreområde i betong/mur (hammerboring)	4 mm ... 16 mm
Boreområde i metall (trebor)	0 mm ... 10 mm
Maksimal lengde dybdeanlegg	180 mm

4.2 Støyinformasjon og vibrasjonsverdier iht. EN 62841

Lydtrykk- og vibrasjonsverdiene som er angitt i denne bruksanvisningen, er målt i samsvar med en normert målemetode og kan brukes til sammenligning av elektroverktøy. De egner seg også til en foreløpig vurdering av eksponeringene.

De angitte dataene representerer de viktigste bruksområdene for elektroverktøyet. Men hvis elektroverktøyet brukes til andre formål, med avvikende innsatsverktøy eller med utilstrekkelig vedlikehold, kan dataene avvike. Dette kan øke eksponeringene betraktelig gjennom hele arbeidsperioden.

For å få en nøyaktig vurdering av eksponeringene må man også ta hensyn til tidsrommene da elektroverktøyet er slått av eller er i gang, men ikke i bruk. Dette kan redusere eksponeringene betraktelig gjennom hele arbeidsperioden.

Fastsett ekstra sikkerhetstiltak for å beskytte operatøren mot effekten av støy og/eller vibrasjoner, for eksempel: Vedlikehold av elektroverktøy og innsatsverktøy, holde hendene varme, organisering av arbeidsprosesser.

Støyinformasjon

Lydeffektnivå (L_{WA})	103 dB(A)
Avgitt lydtrykk (L_{pA})	92 dB(A)
Usikkerhet (lydverdier) (K_{pA} og K_{WA})	3 dB(A)



Totale vibrasjonsverdier

Boring i metall ($a_{h,D}$)	B 22/2.6 Li-ion (01)	2,5 m/s ²
Hammerboring i betong ($a_{h,HD}$)	B 22/2.6 Li-ion (01)	12,7 m/s ²
Usikkerhet (totale vibrasjonsverdier)		1,5 m/s ²

4.3 Batteri

Batteriets driftsspenning	21,6 V
Omgivelsestemperatur under drift	-17 °C ... 60 °C
Lagringstemperatur	-20 °C ... 40 °C
Batteritemperatur ved ladestart	-10 °C ... 45 °C

5 Betjening**5.1 Klargjøring til arbeidet****⚠ ADVARSEL****Fare for personskader på grunn av utilsiktet start!**

- ▶ Før batteriet settes i, må det kontrolleres at det tilhørende produktet er slått av.
- ▶ Fjern batteriet før du foretar maskininnstillinger eller skifter tilbehørsdeler.

Følg sikkerhetshenvisningene og advarslene i denne dokumentasjonen og på produktet.

5.1.1 Montere sidehåndtak 4

1. Vri på håndtaket for å løse holderen (klemmen) på sidehåndtaket.
2. Skyv holderen (klemmen) forfra over chucken til kilesporet som er beregnet til dette.
3. Plasser sidehåndtaket i ønsket stilling.
4. Vri på håndtaket for å stramme holderen (klemmen) på sidehåndtaket.

5.1.2 Sette inn batteri 2

1. Sett batteriet inn i holderen på maskinen til det klikker hørbart på plass.
2. Kontroller at batteriet sitter godt fast.

5.1.3 Ta ut batteriet 3

1. Trykk på låseknappene på batteriet.
2. Trekk batteriet ut bakover.

5.1.4 Sette i innsatsverktøy 5

1. Smør innstikkenden til innsatsverktøyet med litt fett.
 - ▶ Bruk bare originalfett fra Hilti. Feil fett kan forårsake skade på maskinen.
2. Sett innsatsverktøyet helt inn i chucken slik at det klikker på plass.
3. Trekk i verktøyet etter at du har satt det i, for å forsikre deg om at det er godt festet.
 - ▶ Produktet er klart til bruk.

5.1.5 Ta ut innsatsverktøyet 6**⚠ FORSIKTIG****Fare for personskade på grunn av innsatsverktøy! Innsatsverktøyet kan være varmt og ha skarpe kanter.**

- ▶ Bruk vernehansker når du skifter innsatsverktøy.

- ▶ Trekk verktøylåsen tilbake til anslag og ta ut innsatsverktøyet.

5.1.6 Montere dybdeanlegg (ekstraustyr) 7

1. Vri på håndtaket for å løse holderen (klemmen) på sidehåndtaket.
2. Skyv dybdeanlegget forfra inn i de to føringshullene som er beregnet for dette.



3. Vri på håndtaket for å stramme holderen (klemmen) på sidehåndtaket.

5.2 Arbeid

FORSIKTIG

Fare for materiell skade på grunn av feilhåndtering!

- ▶ Ikke betjen bryteren for rotasjonsretning og/eller funksjonsvalg under drift.

Følg sikkerhetshenvisningene og advarslene i denne dokumentasjonen og på produktet.

5.2.1 Arbeidsplassbelysning



LED-en aktiveres automatisk når kontrollbryteren trykkes inn. Når du slipper kontrollbryteren, sluker LED-en langsomt.

- ▶ Trykk på kontrollbryteren.

5.2.2 Rotasjonsretning

- ▶ Still inn rotasjonsretningen.
 - ▶ Bryteren låses i denne posisjonen.

5.2.3 Boring uten slag

- ▶ Still inn funksjonsvelgeren på dette symbolet:

5.2.4 Boring med slag

- ▶ Still inn funksjonsvelgeren på dette symbolet:

6 Service og vedlikehold

6.1 Pleie og vedlikehold

ADVARSEL

Fare for personskader på grunn av isatt batteri !

- ▶ Ta alltid ut batteriet før stell og vedlikeholdsarbeid!

Pleie av produktet

- Fjern forsiktig gjenstridig smuss.
- Rengjør ventilasjonsåpningene, der slike finnes, forsiktig med en tørr og myk børste.
- Rengjør huset bare med en lett fuktet klut. Ikke bruk silikonholdige pleiemidler, ettersom dette kan angripe plastdelene.
- Bruk en ren og tørr klut for å rengjøre kontaktene på produktet.

Pleie av li-ion-batterier

- Bruk aldri et batteri med tilstoppede ventilasjonsåpninger. Rengjør ventilasjonsåpningene forsiktig med en tørr og myk børste.
- Unngå at batteriet unødig utsettes for støv eller smuss. Ikke utsett batteriet for høy fuktighet (f.eks. ved å dyppe det i vann eller la det stå ute i regnet).
Hvis et batteri blir gjennomvått, må det behandles som et skadet batteri. Isoler det i en ikke-brennbar beholder, og kontakt **Hilti** service.
- Hold batteriet fritt for fremmed olje og fett. Ikke la unødig støv eller smuss samle seg på batteriet. Rengjør batteriet med en tørr og myk børste eller en ren og tørr klut. Ikke bruk silikonholdige pleiemidler, ettersom dette kan angripe plastdelene.
Ikke berør kontaktene på batteriet, og ikke fjern fett som er smurt på kontaktene fra fabrikkens.
- Rengjør huset bare med en lett fuktet klut. Ikke bruk silikonholdige pleiemidler, ettersom dette kan angripe plastdelene.

Vedlikehold

- Kontroller alle synlige deler regelmessig mht. skade og alle betjeningslementer mht. feilfri funksjon.
- Ved skader og/eller funksjonsfeil må produktet ikke brukes. Få produktet omgående reparert av **Hilti** service.



- Monter alle beskyttelsesinnretninger etter pleie- og vedlikeholdsarbeid, og kontroller at de fungerer feilfritt.



Av hensyn til sikkerheten må du bare bruke originale reservedeler og forbruksmateriell. Reservedeler, forbruksmateriell og tilbehør som er godkjent av **Hilti**, finner du i nærmeste **Hilti Store** eller på: www.hilti.group

6.2 Rengjøring av støvbeskyttelseskappen

- ▶ Rengjør støvbeskyttelseskappen på chocken med en ren, tørr klut.
- ▶ Tørk pakningen forsiktig ren og smør den inn med litt **Hilti**-smørefett.
- ▶ Støvbeskyttelseskappen må alltid byttes hvis pakningen er skadet.

7 Transport og lagring

7.1 Transport og lagring av batteriverktøy og batterier

Transport



Utilsiktet start under transport !

- ▶ Transporter alltid produktene dine uten batterier!
- ▶ Ta ut batteri(er).
- ▶ Batterier må aldri transporteres løst. Under transport må batteriene beskyttes mot kraftige støt og vibrasjoner og isoleres fra ledende materialer og andre batterier, slik at de ikke kan komme i berøring med andre batteripoler og dermed forårsake kortslutning. **Følg lokale transportforskrifter for batterier.**
- ▶ Batterier må ikke sendes i posten. Kontakt et transportfirma hvis du vil sende uskadde batterier.
- ▶ Kontroller produkt og batterier med henblikk på skader før hver bruk samt før og etter lengre transport.

Lagring



Utilsiktet skade på grunn av defekte batterier eller lekkasje fra batterier !

- ▶ Oppbevar alltid produktene dine uten batterier!
- ▶ Oppbevar produkt og batterier kjølig og tørt. Ta hensyn til temperaturrensene som er angitt under tekniske data.
- ▶ Ikke oppbevar batterier på laderen. Ta alltid batteriet ut av laderen etter ferdig lading.
- ▶ Batterier må aldri oppbevares i solen, på varmekilder eller bak glass.
- ▶ Oppbevar produktet og batterier utenfor barns og uvedkommendes rekkevidde.
- ▶ Kontroller produkt og batterier med henblikk på skader før hver bruk samt før og etter lengre tids lagring.

8 Feilsøking

8.1 Feilsøking

Ved feil som ikke står i denne tabellen eller som du selv ikke kan rette opp, må du kontakte **Hilti Service**.



8.2 Borhammeren er ikke operativ

Feil	Mulig årsak	Løsning
Borhammeren starter ikke.	Borhammer overbelastet.	▶ Slå av borhammeren, fjern batteriet og ikke bruk borhammeren mer.
LED-ene vises ikke.	Batteriet er ikke satt helt i.	▶ La batteriet gå i lås med et dobbeltklikk.
	Utladet batteri.	▶ Skift batteri og lad tomt batteri.
	Batteriet er for varmt eller for kaldt.	▶ Bring batteriet til anbefalt driftstemperatur.
1 LED blinker.	Utladet batteri.	▶ Skift batteri og lad tomt batteri.




Feil	Mulig årsak	Løsning
1 LED blinker.	Batteriet er for varmt eller for kaldt.	► Bring batteriet til anbefalt driftstemperatur.
4 LED-er blinker.	Borhammer kortvarig overbelastet.	► Slipp kontrollbryteren og trykk den inn på nytt.
	Overopphetingsvern.	► La borhammeren avkjøles, og rengjør ventilasjonsåpningene.

8.3 Borhammeren er operativ

Feil	Mulig årsak	Løsning
Slageeffekt uteblir.	Borhammeren for kald.	► Sett borhammeren på underlaget og la den gå på tomgang. Gjenta hvis nødvendig til slagverket arbeider.
	Funksjonsvelger på "Boring uten slag"  .	► Sett funksjonsvelgeren på "Hammerboring"  T .
Kontrollbryteren kan ikke trykkes inn eller er blokkert.	Bryteren for høyre-/venstregang er i midtstilling.	► Trykk bryteren for høyre-/venstregang mot høyre eller venstre.
Maskinens spindel dreier ikke.	Den tillatte driftstemperaturen for elektronikken i borhammeren er overskredet.	► La borhammeren avkjøles.
	Utladet batteri.	► Skift batteri og lad tomt batteri.
Borhammeren slår seg av automatisk.	Overbelastningsvernet utløses.	► Slipp kontrollbryteren. La borhammeren avkjøles. Trykk ned kontrollbryteren igjen. Reduser maskinbelastningen.
Batteriet blir raskere tomt enn vanlig.	Batteriets tilstand er ikke optimal.	► Skift ut batteriet.
Batteriet festes ikke med et hørbart dobbeltklikk.	Festetappene på batteriet er skitne.	► Rengjør festetappene og sett batteriet inn igjen.
Sterk varmeutvikling i borhammeren eller batteriet.	Elektrisk defekt	► Slå borhammeren av umiddelbart. Ta ut batteriet og undersøk det. La det avkjøles. Kontakt Hilti service .
	Borhammer overbelastet (bruksgrense overskredet).	► Velg en maskin som er tilpasset bruksområdet.
Verktøyet løsner ikke fra chocken.	Chocken er ikke trukket helt tilbake.	► Trekk verktøylåsen tilbake til anslag og ta ut verktøyet.
Verktøyet trenger ikke inn i materialet.	Borhammer koblet i venstregang.	► Still inn høyregang med bryteren for høyre-/venstregang.

9 Avhending

 **Hilti** maskiner er i stor grad laget av resirkulerbart materiale. En forskriftsmessig materialsortering er en forutsetning for resirkulering. I mange land tar **Hilti** din gamle maskin i retur. Spør **Hilti** kundeservice eller forhandleren din.



- Kast aldri elektroverktøy, elektronisk utstyr eller batterier i husholdningsavfallet!

10 Produsentgaranti

- Når det gjelder spørsmål om garantibetingelser, ber vi deg kontakte din lokale **Hilti**-partner.



Alkuperäiset ohjeet

1 Tämän käyttöohjeen tiedot

1.1 Tästä käyttöohjeesta

- Lue ehdottomasti tämä käyttöohje ennen tuotteen käyttämistä. Se on turvallisen työn teon ja tuotteen ongelmattoman käsittelyn perusedellytys.
- Noudata tässä käyttöohjeessa annettuja ja tuotteessa olevia turvallisuus- ja varoitushuomautuksia.
- Säilytä käyttöohje aina tuotteen yhteydessä, ja anna tuote toiselle henkilölle aina käyttöohjeen kanssa.

1.2 Merkkien selitykset

1.2.1 Varoitushuomautukset

Varoitushuomautukset varoittavat tuotteen käyttöön liittyvistä vaaroista. Seuraavia varoitustekstejä käytetään:

VAKAVA VAARA

VAKAVA VAARA !

- ▶ Varoittaa uhkaavasta vaaratilanteesta, josta voi seurauksena olla vakava loukkaantuminen tai jopa kuolema.

VAARA

VAARA !

- ▶ Varoittaa mahdollisesta vaarasta, josta voi seurauksena olla vakava loukkaantuminen tai kuolema.

VAROITUS

HUOMIO !

- ▶ Varoittaa mahdollisesta vaaratilanteesta, josta voi seurata loukkaantuminen tai aineellinen vahinko.

1.2.2 Symbolit käyttöohjeessa

Tässä käyttöohjeessa käytetään seuraavia symboleita:

	Noudata käyttöohjetta
	Toimintaohjeita ja muuta hyödyllistä tietoa
	Kierrätyskelpoisten materiaalien käsittely
	Älä hävitä sähkölaitteita ja akkuja tavallisen sekajätteen mukana
	Hilti Litiumioniakku
	Hilti Laturi

1.2.3 Symbolit kuvissa

Kuvissa käytetään seuraavia symboleita:

	Nämä numerot viittaavat vastaavaan kuvaan tämän käyttöohjeen alussa.
	Numerointi kuvissa viittaa tärkeisiin työvaiheisiin tai työvaiheiden kannalta tärkeisiin rakenneseisiin. Nämä vastaavasti numeroidut työvaiheet tai rakenneosat korostetaan tekstissä, esimerkiksi (3) .
	Kohtanumeroita käytetään kuvassa Yleiskuva , ja ne viittaavat kuvatekstien numerointiin kappaleessa Tuoteyhteenveto .
	Tämän merkin tarkoitus on kiinnittää erityinen huomiosi tuotteen käyttöön ja käsittelyyn.



1.3 Tuotekohtaiset symbolit

1.3.1 Symbolit tuotteessa

Tuotteessa voidaan käyttää seuraavia symboleita:

	Poraus ilman iskua
	Poraaminen iskulla (iskuporaus)
	Suunnanvaihtokytkin vasemmalle/oikealle
n_0	Nimellisjoutokäyntikierrosluku
/min	Kierrosta minuutissa
	Tasavirta
Li-ion	Litiumioniakku
	Käytettävien Hilti -litiumioniakkujen tyyppisarja. Ota kappaleessa Tarkoituksenmukainen käyttö annetut tiedot huomioon.
	Älä koskaan käytä akkua lyöntityökaluna.
	Älä päästä akkua putoamaan. Älä käytä akkua, johon on kohdistunut isku tai joka on muutoin vaurioitunut.
	Tämä kone tukee iOS- ja Android-alustojen kanssa yhteensopivaa NFC-tekniologiaa.

1.4 Tuotetiedot

HILTI -tuotteet on tarkoitettu ammattikäyttöön, ja niitä saa käyttää, huoltaa tai korjata vain valtuutettu, koulutettu henkilö. Käyttäjän pitää olla hyvin perillä käyttöön liittyvistä vaaroista. Tuote ja sen varusteet saattavat aiheuttaa vaaratilanteita, jos kokemattomat henkilöt käyttävät tuotetta ohjeiden vastaisesti tai muutoin asiattomasti.

Tyyppimerkin ja sarjanumeron löydät tyyppikilvestä.

- Kirjoita sarjanumero oheiseen taulukkoon. Tuotteen tiedot tarvitaan, jos esität kysymyksiä myynti- tai huoltoedustajallemme.

Tuotetiedot

Tyyppi:	TE 2-A22
Sukupolvi:	02
Sarjanumero:	

1.5 Vaatimustenmukaisuusvakuutus

Vakuutamme, että tässä kuvattu tuote täyttää voimassa olevien direktiivien ja standardien vaatimukset. Kuva vaatimustenmukaisuusvakuutuksesta on tämän dokumentaation lopussa.

Tekninen dokumentaatio löytyy tästä:

Hilti Entwicklungsgesellschaft mbH | Zulassung Geräte | Hiltistraße 6 | 86916 Kaufering, DE

2 Turvallisuus

2.1 Sähkötyökaluja koskevat yleiset turvallisuusohjeet

⚠ VAKAVA VAARA Lue kaikki turvallisuus- ja käyttöohjeet, selostukset ja tekniset tiedot, jotka liittyvät tähän sähkötyökaluun. Seuraavien ohjeiden noudattamatta jättäminen saattaa johtaa sähköiskuun, tulipaloon ja/tai vakavaan loukkaantumiseen.

Säilytä kaikki turvallisuus- ja käyttöohjeet huolellisesti vastaisen varalle.

Turvallisuusohjeissa käytetty käsite "sähkötyökalu" tarkoittaa verkkokäyttöisiä sähkötyökaluja (joissa verkkojohto) ja akkukäyttöisiä sähkötyökaluja (joissa ei verkkojohtoa).



Työpaikan turvallisuus

- ▶ **Pidä työskentelyalue siistinä ja hyvin valaistuna.** Työpaikan epäjärjestys ja valaisemattomat työalueet voivat johtaa tapaturmiin.
- ▶ **Älä käytä sähkötyökälu räjähdyssaltiliissa ympäristössä, jossa on syttyvää nestettä, kaasua tai pölyä.** Sähkötyökälu synnyttävät kipinöitä, jotka saattavat sytyttää pölyn tai höyryt.
- ▶ **Pidä lapset ja sivulliset loitolla sähkötyökälu käyttäessäsi.** Voit menettää koneen hallinnan huomiosi suuntautuessa muualle.

Sähköturvallisuus

- ▶ **Sähkötyökälu pistokkeen pitää sopia pistorasiaan.** Pistoketta ei saa muuttaa millään tavalla. Älä käytä pistorasia-adaptoreita suojamaadotettujen sähkötyökälujen yhteydessä. Alkuperäisessä kunnossa olevat pistokkeet ja sopivat pistorasiat vähentävät sähköiskun vaaraa.
- ▶ **Vältä koskettamasta sähköä johtaviin pintoihin kuten putkiin, pattereihin, liesiin ja jääkaappeihin.** Sähköiskun vaara kasvaa, jos kehosi maadottuu.
- ▶ **Älä aseta sähkötyökälu alttiiksi sateelle tai kosteudelle.** Veden tunkeutuminen sähkötyökälu sisään lisää sähköiskun vaaraa.
- ▶ **Älä kannata tai ripusta sähkötyökälu verkkojohdostaan äläkä vedä pistoketta irti pistorasiasta johdosta vetämällä.** Pidä johto loitolla kuumuudesta, öljystä, terävistä reunoista ja liikkuvista osista. Vahingoittuneet tai toisiinsa kietoutuneet johdot lisäävät sähköiskun vaaraa.
- ▶ **Kun käytät sähkötyökälu ulkona, käytä ainoastaan ulkokäyttöön soveltuvia jatkojohtoja.** Ulko-käyttöön soveltuvan jatkojohdon käyttö pienentää sähköiskun vaaraa.
- ▶ **Jos sähkötyökälu on välttämätöntä käyttää kosteassa ympäristössä, käytä vikavirtasuojakytkintä.** Vikavirtasuojakytkimen käyttö pienentää sähköiskun vaaraa.

Henkilöturvallisuus

- ▶ **Ole valpas, kiinnitä huomiota työskentelyysi ja noudata tervettä järkeä sähkötyökälu käyttäessäsi.** Älä käytä sähkötyökälu, jos olet väsynyt tai huumeiden, alkoholin tai lääkkeiden vaikutuksen alaisena. Sähkötyökälu käytettäessä hetkellinenkin varomattomuus saattaa aiheuttaa vakavia vammoja.
- ▶ **Käytä henkilökohtaisia suojavarusteita ja aina suojalaseja.** Henkilökohtaiset suojavarusteet, kuten hengityssuojain, luistamattomat turvajalkineet, kypärä ja kuulosuojaimet, pienentävät oikein käytettyinä loukkaantumisriskiä sähkötyökälu käyttötilanteesta riippuen.
- ▶ **Varo tahatonta käynnistämistä.** Varmista, että sähkötyökälu on kytketty pois päältä, ennen kuin liität sen verkkovirtaan ja/tai liität siihen akun, otat sen käteesi tai kannat sitä. Jos kannat sähkötyökälu sormi käyttökytkimellä tai liität pistokkeen pistorasiaan käyttökytkimen ollessa käyntiasennossa, altistat itsesi onnettomuuksille.
- ▶ **Poista kaikki säätötyökälu ja ruuvitalat, ennen kuin käynnistät sähkötyökälu.** Työkälu tai avain, joka sijaitsee koneen pyöriässä osassa, saattaa johtaa loukkaantumiseen.
- ▶ **Vältä vaikeita työskentelyasentoja.** Varmista aina tukeva seisoma-asento ja tasapaino. Siten voit paremmin hallita sähkötyökälu odottamattomissa tilanteissa.
- ▶ **Käytä työhösi soveltuvia vaatteita.** Älä käytä löysiä työvaatteita tai koruja. Pidä hiukset, vaatteet ja käsineet loitolla liikkuvista osista. Väljät vaatteet, korut ja pitkät hiukset voivat takertua liikkuviin osiin.
- ▶ **Jos pölynpoisto- ja keräilylaitteita voidaan asentaa, sinun on tarkastettava, että ne on liitetty oikein ja että niitä käytetään oikealla tavalla.** Pölynpoistovarustuksen käyttö vähentää pölyn aiheuttamia vaaroja.
- ▶ **Älä tuudittaudu virheelliseen turvallisuuden tunteeseen äläkä laiminlyö sähkötyökäluja koskevia turvallisuusohjeita silloinkaan, kun mielestäsi jo olet kokenut sähkötyökälu käyttäjä.** Harkitsema-ton ja huolimaton toiminta voi sekunnin murto-osissa johtaa vakaviin loukkaantumisiin.

Sähkötyökälu käyttö ja käsittely

- ▶ **Älä ylikuormita konetta.** Käytä kyseiseen työhön tarkoitettua sähkötyökälu. Sopivaa sähkötyökälu käyttäen työskentelet paremmin ja varmemmin tehoalueella, jolle sähkötyökälu on tarkoitettu.
- ▶ **Älä käytä sähkötyökälu, jonka käyttökytkin ei toimi.** Sähkötyökälu, jota ei enää voida käynnistää ja pysäyttää käyttökytkimellä, on vaarallinen ja se täytyy korjata.
- ▶ **Irrota pistoke pistorasiasta ja/tai irrota akku ennen kuin muutat säätöjä, vaihdat terää tai lisävarusteita ja kun lopetat koneen käyttämisen.** Tämä turvatoimenpide estää sähkötyökälu tahattoman käynnistysriskin.
- ▶ **Säilytä sähkötyökälu poissa lasten ulottuvilta, kun niitä ei käytetä.** Älä anna toisten henkilöiden käyttää konetta, elleivät he ole perehtyneet sen käyttöön ja lukeneet käyttöohjeita. Sähkötyökälu ovat vaarallisia, jos niitä käyttävät kokemattomat henkilöt.
- ▶ **Hoida sähkötyökäluja ja niiden varusteita huolella.** Tarkasta, että liikkuvat osat toimivat moitteettomasti eivätkä ole puristuksissa, ja tarkasta myös, ettei sähkötyökäluissa ole murtuneita tai vaurioituneita osia, jotka saattaisivat haitata sen toimintaa. Korjauta vaurioituneet osat ennen



koneen käyttämistä. Usein loukkaantumisten ja tapaturmien syynä on sähkötyökalujen laiminlyöty huolto.

- ▶ **Pidä terät terävinä ja puhtaina.** Huolella hoidetut terät, joiden leikkausreunat ovat teräviä, eivät jumitu herkästi, ja niillä työnteko on kevyempää.
- ▶ **Käytä sähkötyökalua, lisävarusteita ja tarvikkeita, teriä jne. niiden käyttöohjeiden mukaisesti. Ota tällöin työolosuhteet ja suoritettava työtehtävä huomioon.** Sähkötyökalun käyttö muuhun kuin sille tarkoitettuun käyttöön saattaa johtaa vaarallisiin tilanteisiin.
- ▶ **Pidä käsikahvat ja tartuntapinnat kuivina, puhtaina, öljyttöminä ja rasvattomina.** Jos käsikahvat tai tartuntapinnat ovat liukkaat, sähkötyökalun turvallinen käyttö ja hallinta voi yllättävissä tilanteissa olla mahdotonta.

Akkukäyttöisen sähkötyökalun käyttö ja käsittely

- ▶ **Lataa akku vain valmistajan suositamalla laturilla.** Jos laturi on tarkoitettu vain tietyn akkumallin lataamiseen, palovaara on olemassa, jos laturia käytetään muiden akkujen lataamiseen.
- ▶ **Käytä ainoastaan juuri kyseiseen sähkötyökaluun tarkoitettua akkua.** Jonkun muun akun käyttö saattaa johtaa loukkaantumiseen ja tulipaloon.
- ▶ **Pidä irrallinen akku loitolla metalliesineistä, kuten paperinliittimistä, kolikoista, avaimista, nau-loista, ruuveista tai muista pienistä metalliesineistä, jotka voivat oikosulkea akun liittimet.** Akun liittimien välinen oikosulku saattaa aiheuttaa palovammoja tai johtaa tulipaloon.
- ▶ **Väärästä käytöstä johtuen saattaa akusta vuotaa nestettä, jota ei saa koskettaa. Vältä kosketusta sen kanssa. Tarvittaessa huuhtelee kosketuskohta vedellä. Jos nestettä pääsee silmiin, tarvitaan lisäksi lääkärin apua.** Akusta vuotava neste saattaa aiheuttaa ärsytystä ja palovammoja.
- ▶ **Älä käytä akkua, joka on vaurioitunut tai johon on tehty muutoksia.** Vaurioitunut akku tai akku, jota on muutettu, saattaa käyttäytyä yllättävästi ja aiheuttaa tulipalon, räjähdyksen ja vammoja.
- ▶ **Varjele akkua avotulta ja korkeilta lämpötiloilta.** Avotuli tai yli 130 °C:n (265 °F) lämpötila voi aiheuttaa räjähdyksen.
- ▶ **Noudata kaikkia akun lataamisesta annettuja ohjeita, ja lataa akku tai akun sisältävä sähkötyökalu aina käyttöohjeessa mainittuja lämpötilarajoja noudattaen.** Akun virheellinen lataaminen tai lataami-nen sallitun lämpötila-alueen lämpötiloja noudattamatta saattaa johtaa akun tuhoutumiseen ja aiheuttaa tulipalovaaran.

Huolto

- ▶ **Anna koulutettujen ammattihenkilöiden korjata sähkötyökalusi ja hyväksy korjauksiin vain alkupe-räisiä varaosia.** Siten varmistat koneen turvallisuuden säilymisen.
- ▶ **Älä koskaan yritä huoltaa vaurioitunutta akkua.** Akkujen kaikki huoltotyöt saa suorittaa vain valmistaja tai sen valtuuttama huoltopiste.

2.2 Poravasaroita koskevat turvallisuusohjeet

Turvallisuusohjeet kaikkiin töihin

- ▶ **Käytä kuulosuojaimia.** Melu saattaa heikentää kuuloasi.
- ▶ **Käytä koneen mukana toimitettuja lisäkäsikahvoja.** Koneen hallinnan menettäminen saattaa aiheuttaa loukkaantumisia.
- ▶ **Pidä koneesta kiinni vain sen eristetyistä kahvapinnoista, jos teet työtä, jossa terä saattaa osua rakenteen sisällä olevaan virtajohtoon.** Jos terä osuu virtajohtoon, koneen metalliosiin saattaa johtua virta, jolloin saatat saada sähköiskun.

Turvallisuusohjeet jos käytät pitkiä poranteriä

- ▶ **Aloita poraaminen aina pienellä kierrosluvulla ja siten, että poranterä koskettaa työkalupäätä.** Suuremmilla kierrosluvuilla poranterä saattaa herkästi taipua, jos se pyörii vapaasti ilman että se koskettaa työkalupäätä, ja seurauksena voi olla loukkaantumisia.
- ▶ **Älä paina konetta tarpeettoman kovalla voimalla ja paina aina vain poranterän pituussuuntaan.** Poranterät voivat taipua ja siten murtua, tai seurauksena voi olla hallinnan menettäminen ja loukkaan-tumisia.

2.3 Lisää poravasaroitten turvallisuusohjeita

Henkilöturvallisuus

- ▶ Käytä vain tuotetta ja lisävarusteita, jotka ovat teknisesti moitteettomassa kunnossa.
- ▶ Älä koskaan tee tuotteeseen tai lisävarusteisiin minkäänlaisia muutoksia.
- ▶ Käytä tuotteen mukana toimitettuja lisäkäsikahvoja. Hallinnan menettäminen saattaa aiheuttaa loukkaan-tumisia.



- ▶ Kun teet reikiä, varmista työstettävän kohdan taustapuoli. Putoamaan tai sinkoutumaan pääsevät palaset voivat aiheuttaa muille vammoja.
- ▶ Pidä tuotteesta aina kiinni käsikahvoista molemmin. Pidä käsikahvat kuivina ja puhtaina.
- ▶ Pidä tuotteesta kiinni vain sen eristetyistä kahvapinnoista, jos teet työtä, jossa työkaluterä saattaa osua rakenteen sisällä olevaan virtajohtoon. Jos terä osuu virtajohtoon, tuotteen metalliosiin saattaa johtua virta, jolloin saatat saada sähköiskun.
- ▶ Varo, ettet koske pyöriviin osiin - loukkaantumisaaralla!
- ▶ Tuotetta käytettäessä käytä silmäsuojaimia, suojakypärää, kuulosuojaimia ja soveltuvaa hengityssuojainta.
- ▶ Käytä työkaluterän vaihdossa suojakäsineitä. Työkaluterän koskettaminen saattaa aiheuttaa haavoja ja palovammoja.
- ▶ Käytä suojalaseja. Sirpaleet saattavat aiheuttaa vammoja ja vahingoittaa silmiä.
- ▶ Hiottaessa, kiillotettaessa, leikattaessa ja porattaessa syntyvä pöly saattaa sisältää vaarallisia kemikaaleja. Niistä esimerkkejä ovat: lijy tai lijyypitoiset maalit; tiili, betoni ja muut muuraustuotteet, luonnonkivi ja muut silikaatteja sisältävät tuotteet; tietyt puulajit kuten tammi, pyökki ja kemiallisesti käsitellyt puut; asbesti tai asbestia sisältävät materiaalit. Määritä työstettävien materiaalien vaaraluokituksen perusteella käyttäjän ja lähellä olevien henkilöiden altistumisvaara. Ryhdy tarvittaviin toimenpiteisiin altistumisen pitämiseksi turvallisella tasolla, esimerkiksi käytettävä pölynkeräysjärjestelmää tai soveltuvaa hengityssuojainta. Altistumisen määrää pienentäviä yleisluonteisia toimenpiteitä ovat:
 - ▶ työn tekeminen hyvin tuulettuvassa tilassa,
 - ▶ pitkään kestävä pölyaltistuksen välttäminen,
 - ▶ pölyn ohjaaminen pois kasvoilta ja keholta,
 - ▶ suojavaatetuksen käyttö ja kehon altistuneiden kohtien pesu vedellä ja saippualla.
- ▶ Pidä työssäsi usein taukoja, joiden aikana tee sormien verenkiertoa parantavia sormivaimistelu liikkeitä. Pitempään jatkuva työnteko saattaa tänä vuoksi aiheuttaa verenkiertohäiriöitä tai sormien, käsien ja ranteiden hermokipuja.

Sähköturvallisuus

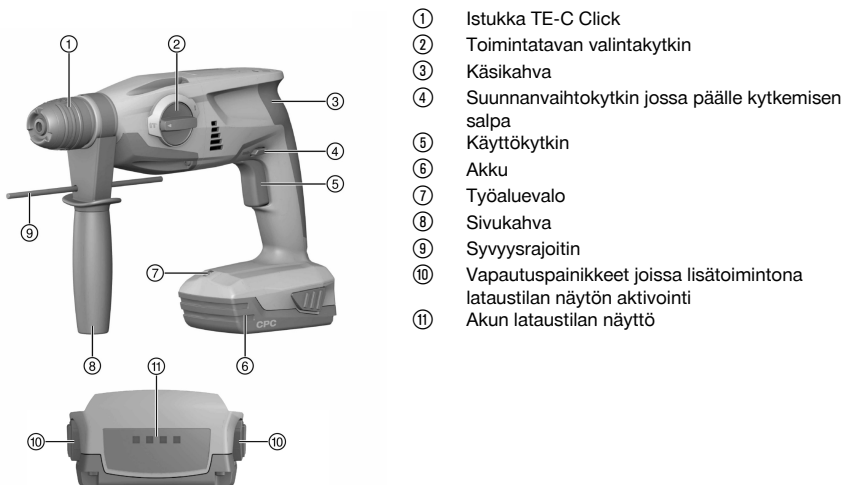
- ▶ Tarkasta ennen työn aloittamista, onko työskentelyalueella rakenteiden sisälle asennettuja sähköjohtoja tai kaasu- ja vesiputkia. Tuotteen ulkopinnan metalliosista saatat saada sähköiskun tai aiheuttaa räjähdyksen, jos vahingossa osut sähköjohtoon, kaasuputkeen tai vesiputkeen.

Sähkötyökalujen käyttö ja hoito

- ▶ Kytke tuote heti pois päältä, jos työkaluterä jumittuu. Tuote saattaa pyrkiä liikkumaan sivusuunnassa.
- ▶ Odota, että tuote on täysin pysähtynyt, ennen kuin lasket sen kädestäsi.

3 Kuvaus

3.1 Tuoteyhteenveto



3.2 Tarkoituksenmukainen käyttö

Kuvattu tuote on akkukäyttöinen poravasara. Se on tarkoitettu poraamiseen teräkseen, puuhun sekä tiileen ja muuraukseen, poraamiseen iskulla betoniin, tiileen ja muuraukseen sekä ruuvien kiertämiseen.

- Käytä tämän tuotteen yhteydessä vain tyyppisarjan B 22 **Hilti**-litiumioniakkuja.
- Käytä näiden akkujen lataamiseen vain lataureita, jotka **Hilti** on hyväksynyt. Lisätietoja saat **Hilti Store** -liikkeestä ja osoitteesta: www.hilti.group

3.3 Li-ioniakun lataustilan näyttö

Litiumioniakkuja käytettäessä akun lataustila näytetään, kun jotakin akun lukituksen vapautuspainikkeista painetaan kevyesti.

Tila	Merkitys
4 LED-merkkivaloa palaa.	Lataustila: 75 % ... 100 %
3 LED-merkkivaloa palaa.	Lataustila: 50 % ... 75 %
2 LED-merkkivaloa palaa.	Lataustila: 25 % ... 50 %
1 LED-merkkivalo palaa.	Lataustila: 10 % ... 25 %
1 LED-merkkivalo vilkkuu.	Lataustila: < 10 %

Lataustilan tarkastaminen koneen käytön aikana tai välittömästi käyttämisen jälkeen ei ole mahdollista. Jos akun lataustilan LED-merkkivalot vilkkuvat, ota ohjeet kappaleessa Vianmääritys huomioon.

3.4 Toimituksen sisältö

Poravasara, sivukahva, syvyyssrajoitin, käyttöohje.

Pölynpoistovarustus TE DRS-S on lisävaruste töiden pölyttömään tekemiseen.

Muita tälle tuotteelle hyväksytyjä järjestelmätuotteita löydät **Hilti Store** -liikkeestä tai nettiosoitteesta: www.hilti.group

4 Tekniset tiedot

4.1 Poravasara

	TE 2-A22
Nimellisjännite	21,6 V
Paino EPTA Procedure 01 mukaan sis. akku B22/8.0	3,3 kg
Poraaminen betoniin / tiileen (poraaminen iskulla)	4 mm ... 16 mm
Metalliin porattavan reiän halkaisija	0 mm ... 10 mm
Syvyyssrajoittimen maksimipituus	180 mm

4.2 Melutiedot ja värähtelöt EN 62841 mukaan

Tässä käyttöohjeessa annetut äänenpaine- ja värähtelöt on mitattu standardoitujen mittausmenetelmien mukaisesti, ja näitä arvoja voidaan käyttää sähkötyökalujen vertailussa. Ne soveltuvat myös altistumisten tilapäiseen arviointiin.

Annetut arvot koskevat sähkötyökalun pääasiallisia käyttötarkoituksia. Jos sähkötyökalua kuitenkin käytetään muihin tarkoituksiin, poikkeavia työkaluja tai teriä käyttäen tai puutteellisesti huollettuna, arvot voivat poiketa tässä ilmoitetuista. Tämä saattaa merkittävästi lisätä altistumista koko työskentelyajan aikana.

Altistumisia tarkasti arvioitaessa on otettava huomioon myös ne ajat, jolloin sähkötyökalu on kytketty pois päältä tai jolloin sähkötyökalu on päällä, mutta sillä ei tehdä varsinaista työtä. Tämä saattaa merkittävästi vähentää altistumista koko työskentelyajan aikana.

Käyttäjän suojaamiseksi melun ja/tai värähtelyn vaikutukselta ryhdy tarpeellisiin turvatoimenpiteisiin kuten: Sähkötyökalun ja siihen kiinnitettävien työkalujen huolto, käsien lämpimänä pitäminen, työtehtävien organisointi.

Meluarvot

Melutehotaso (L_{WA})	103 dB(A)
Melupäästön äänenpainetaso (L_{pA})	92 dB(A)
Epävarmuus (melupäästöarvot) (K_{pA} ja K_{WA})	3 dB(A)



Tärinän kokonaisarvot

Poraaminen metalliin ($a_{n,D}$)	B 22/2.6 Li-lon (01)	2,5 m/s ²
Iskuporaaminen betoniin ($a_{n,HD}$)	B 22/2.6 Li-lon (01)	12,7 m/s ²
Epävarmuus (tärinän kokonaisarvot)		1,5 m/s ²

4.3 Akku

Akkutoimintajännite	21,6 V
Ympäristön lämpötila käytettäessä	-17 °C ... 60 °C
Varastointilämpötila	-20 °C ... 40 °C
Akun lämpötila lataamisen alkaessa	-10 °C ... 45 °C

5 Käyttö

5.1 Työkohteen valmistelu

VAARA

Loukkaantumisvaara vahingossa käynnistymisen seurauksena!

- ▶ Varmista ennen akun kiinnittämistä, että tuote on kytketty pois päältä.
- ▶ Irrota akku, ennen kuin muutat koneen säätöjä tai vaihdat lisävarusteosia.

Noudata tässä dokumentaatioissa ja tuotteessa olevia turvallisuus- ja varoitushuomautuksia.

5.1.1 Sivukahvan kiinnitys

1. Kierrä kahvaa sivukahvan kiinnittimen (kiinnityspanta) avaamiseksi.
2. Työnnä kiinnitin (kiinnityspanta) edestäpäin istukan päälle sille tarkoitettuun uraan saakka.
3. Aseta sivukahva haluamaasi asentoon.
4. Kierrä kahvaa sivukahvan kiinnittimen (kiinnityspanta) kiinni kiristämiseksi.

5.1.2 Akun kiinnitys

1. Aseta akku koneikiinnikkeeseen siten, että se kuuluvasti lukittuu.
2. Tarkasta, että akku on kunnolla kiinni.

5.1.3 Akun irrotus

1. Paina akun lukituksen vapautuspainikkeita.
2. Vedä akku taaksepäin irti.

5.1.4 Työkaluterän kiinnitys

1. Rasvaa työkaluterän istukkapää kevyesti.
 - ▶ Käytä vain alkuperäistä Hilti-rasvaa. Vääränlainen rasva voi vaurioittaa konetta.
2. Laita työkalu istukkaan vasteeseen saakka ja varmista, että se lukittuu paikalleen.
3. Tarkasta työkaluterän kunnollinen lukittuminen vetämällä työkaluterästä.
 - ▶ Tuote on toimintavalmis.

5.1.5 Työkaluterän irrotus

VAROITUS

Työkaluterän aiheuttama loukkaantumisvaara! Työkaluterä voi olla kuuma tai teräväreunainen.

- ▶ Käytä suojakäsineitä, kun vaihdat työkaluterää.

- ▶ Vedä työkaluterän lukitsin taaksepäin vasteeseen saakka ja irrota työkaluterä.

5.1.6 Syvyyssrajoittimen (lisävaruste) kiinnitys

1. Kierrä kahvaa sivukahvan kiinnittimen (kiinnityspanta) avaamiseksi.
2. Työnnä syvyyssrajoitin edestäpäin sille tarkoitettuihin 2 ohjainreikään.



3. Kierrä kahvaa sivukahvan kiinnittimen (kiinnityspanta) kiinni kiristämiseksi.

5.2 Työskentely

VAROITUS

Vaurioitumisvaara väärän käsittelyn seurauksena!

- ▶ Älä käytä suunnanvaihdon ja/tai toimintatavan valinnan kytkimiä koneen käytön aikana.

Noudata tässä dokumentaatioissa ja tuotteessa olevia turvallisuus- ja varoitushuomautuksia.

5.2.1 Työkohteen valo



LED syttyy automaattisesti käyttökytkimen painamisen myötä. Käyttökytkimen vapauttamisen jälkeen LED sammuu hitaasti.

- ▶ Paina käyttökytkintä.

5.2.2 Pyörimissuunta

- ▶ Valitse pyörimissuunta.
 - ▶ Kytkin lukittuu tähän asentoon.

5.2.3 Poraus ilman iskua

- ▶ Aseta toimintatapavalitsin tämän symbolin kohdalle:

5.2.4 Poraaminen iskulla

- ▶ Aseta toimintatapavalitsin tämän symbolin kohdalle:

6 Huolto ja kunnossapito

6.1 Huolto, hoito ja kunnossapito



VAARA

Loukkaantumisvaara jos akku paikallaan !

- ▶ Irrota akku aina ennen hoito- ja kunnostustöitä!

Tuotteen hoito

- Puhdista pinttynyt lika varovasti.
- Jos tuotteessa on jäähdytysilmaroot, puhdista ne varovasti kuivalla ja pehmeällä harjalla.
- Puhdista kotelon pinnat vain kevyesti kostutetulla kankaalla. Älä käytä silikonia sisältäviä hoitoaineita, sillä ne saattavat vaurioittaa muoviosia.
- Käytä tuotteen liittimien puhdistamiseen vain puhdasta ja kuivaa kangaspalaa.

Litiumioniakkujen hoito

- Älä koskaan käytä akkua, jos sen jäähdytysilmaroot ovat tukkeutuneet. Puhdista jäähdytysilmaroot varovasti kuivalla, pehmeällä harjalla.
- Vältä altistamasta akkua tarpeettomasti pölylle tai lialle. Älä koskaan altista akkua suurelle kosteudelle (esimerkiksi upota veteen tai jätä sateeseen).
Jos akku on pahoin kastunut, käsittele sitä kuin vaurioitunutta akkua. Eristä akku palamattomasta materiaalista valmistettuun astiaan ja ota yhteys **Hilti**-huoltoon.
- Pidä akku öljyttömänä ja rasvattomana. Älä anna pölyn ja lian kertyä akun pintaan. Puhdista akku kuivalla, pehmeällä harjalla tai puhtaalla, kuivalla kankaalla. Älä käytä silikonia sisältäviä hoitoaineita, sillä ne saattavat vaurioittaa muoviosia.
Älä kosketa akun liittimiä äläkä poista akun liittimiin tehtaalla laitettua rasvaa.
- Puhdista kotelon pinnat vain kevyesti kostutetulla kankaalla. Älä käytä silikonia sisältäviä hoitoaineita, sillä ne saattavat vaurioittaa muoviosia.

Kunnossapito

- Tarkasta säännöllisin välein kaikkien näkyvien osien mahdolliset vauriot ja käyttöelementtien moitteeton toiminta.
- Jos havaitset vaurioita ja/tai toimintahäiriöitä, älä käytä tuotetta. Korjauta tuote viipymättä **Hilti**-huollossa.



- Hoito- ja kunnostustöiden jälkeen kiinnitä kaikki suojalaitteet takaisin ja tarkasta niiden moitteeton toiminta.



Käyttöturvallisuuden varmistamiseksi käytä vain alkuperäisiä varaosia ja käyttömateriaaleja. **Hiltin** läle tuotteelle hyväksymiä varaosia, kulutusmateriaaleja ja lisävarusteita löydät **Hilti Store** -liikkeestä tai osoitteesta: www.hilti.group

6.2 Pölysuojuksen puhdistus

- ▶ Puhdista istukan pölysuojus säännöllisin välein puhtaalla, kuivalla kankaalla.
- ▶ Pyyhi tiivistehuuli varovasti puhtaaksi ja rasvaa se kevyesti **Hilti**-rasvalla.
- ▶ Pölysuojus on ehdottomasti vaihdettava, jos sen tiivistehuuli on vaurioitunut.

7 Kuljetus ja varastointi

7.1 Akkukäyttöisten työkalujen ja akkujen kuljetus ja varastointi

Kuljettaminen



VAROITUS

Käynnistyminen vahingossa kuljetuksen aikana !

- ▶ Kuljeta tuotteesi aina akku irrotettuna!
- ▶ Irrota akku/akut.
- ▶ Älä koskaan kuljeta akkuja irrallaan muiden tavaroiden joukossa. Akut on suojattava kuljetuksen ajaksi kovilta iskuilta ja tärinältä, ja ne on eristettävä kaikenlaisista sähköä johtavista materiaaleista ja muista akuista, jotta niiden navat eivät pääse kosketuksiin muiden akkujen napojen kanssa. Seurauksena saattaisi olla oikosulku. **Noudata maakohtaisia akkujen kuljetusmääräyksiä.**
- ▶ Akkuja ei saa koskaan lähettää postitse. Käänny kuljetusyrityksen puoleen, kun haluat lähettää vaurioittomia akkuja.
- ▶ Tarkasta tuotteen ja akun mahdolliset vauriot aina ennen käyttöä sekä ennen pitkää kuljetusta ja sen jälkeen.

Varastointi



VAARA

Viallinen tai vuotava akku voi aiheuttaa vaurioita !

- ▶ Varastoi tuotteesi aina akku irrotettuna!
- ▶ Varastoi tuote ja akut viileässä ja kuivassa paikassa. Ota teknisissä tiedoissa annetut lämpötilarajat huomioon.
- ▶ Akkuja ei saa säilyttää laturissa. Irrota akku laturista aina latauksen päätyttyä.
- ▶ Älä koskaan varastoi akkuja auringonpaisteessa, lämmönlähteen päällä tai ikkunan vieressä.
- ▶ Varastoi tuote ja akut lasten ja asiattomien henkilöiden ulottumattomissa.
- ▶ Tarkasta tuotteen ja akun mahdolliset vauriot aina ennen käyttöä sekä ennen pitkää varastointia ja sen jälkeen.

8 Vianmääritys

8.1 Apua häiriötilanteisiin

Häiriöissä, joita ei ole kuvattu tässä taulukossa tai joita et itse pysty poistamaan, ota yhteys **Hilti**-huoltoon.

8.2 Poravasara ei ole toimintakykyinen

Häiriö	Mahdollinen syy	Ratkaisu
Poravasara ei käynnisty.	Poravasara ylikuormittunut.	▶ Kytke poravasara pois päältä, irrota akku, älä käytä poravasaraa edelleen.
LED-merkkivalot eivät näytä mitään.	Akku ei kunnolla kiinni.	▶ Kiinnitä akku siten, että se lukittuu paikalleen kuultavasti kaksi kertaa naksahaen.



Häiriö	Mahdollinen syy	Ratkaisu
LED-merkkivalot eivät näytä mitään.	Akku tyhjentynyt.	► Vaihda akku ja lataa tyhjentynyt akku.
	Akku liian kuuma tai liian kylmä.	► Anna akun jäähtyä tai lämmitä suositeltuun käyttölämpötilaan.
1 LED merkkivalo vilkkuu.	Akku tyhjentynyt.	► Vaihda akku ja lataa tyhjentynyt akku.
	Akku liian kuuma tai liian kylmä.	► Anna akun jäähtyä tai lämmitä suositeltuun käyttölämpötilaan.
4 LED-merkkivaloa vilkkuu.	Poravasara hetkellisesti ylikuormitunut.	► Vapauta käyttökytkin ja paina sitä uudelleen.
	Ylikuumentumissuoja.	► Anna poravasaran jäähtyä ja puhdista jäähdytysilmaraat.

8.3 Poravasara on toimintakykyinen

Häiriö	Mahdollinen syy	Ratkaisu
Ei iskua.	Poravasara liian kylmä.	► Aseta poravasara pintaa vasten ja anna käydä joutokäyntiä. Tarvittaessa toista tämä, kunnes iskumekanismi toimii.
	Toimintatapavalitsin ilman iskua poraamisen asennossa	► Aseta toimintatapavalitsin iskulla poraamisen asentoon
Käyttökytkintä ei saa painettua tai se on lukittunut.	Suunnanvaihtokytkin keskiasennossa.	► Paina suunnanvaihtokytkin vasemmalle tai oikealle.
Kara ei pyöri.	Poravasaran elektroniikan sallittu käyttölämpötila ylittynyt.	► Anna poravasaran jäähtyä.
	Akku tyhjentynyt.	► Vaihda akku ja lataa tyhjentynyt akku.
Poravasara kytkeytyy automaattisesti pois päältä.	Ylikuormitussuoja laukeaa.	► Vapauta käyttökytkin. Anna poravasaran jäähtyä. Paina käyttökytkintä uudelleen. Kevennä koneen kuormittamista.
Akku tyhjenee tavallista nopeammin.	Akun kunto ei optimaalinen.	► Vaihda akku.
Akku ei lukitu paikalleen selvästi kaksi kertaa naksauttaen.	Akun salpanokat likaantuneet.	► Puhdista salpanokat ja kiinnitä akku uudelleen paikalleen.
Poravasara tai akku kuumeenee voimakkaasti.	Sähköinen vika	► Kytke poravasara heti pois päältä. Irrota akku ja tarkkaile sitä. Anna sen jäähtyä. Ota yhteys Hilti -huoltoon.
	Poravasara ylikuormittunut (käyttö- raja ylittynyt).	► Valitse työtehtävään soveltuva kone.
Työkaluterää ei saa vapautettua lukituksesta.	Istukkaa ei ole vedetty kunnolla taakse.	► Vedä työkaluterän lukitsin taaksepäin vasteeseen saakka ja irrota työkaluterä.
Työkaluterä ei poraa.	Poravasara kytketty pyörimään vasemmalle.	► Kytke suunnanvaihtokytkimellä pyörimissuunta oikealle.

9 Hävittäminen

Hilti-työkalut, -koneet ja -laitteet on pääosin valmistettu kierrätyskelpoisista materiaaleista. Kierrätyksen edellytys on materiaalin asianmukainen lajittelu. Useissa maissa **Hilti** ottaa vanhat koneet ja laitteet vastaan kierrätystä ja hävitystä varten. Lisätietoja saat **Hilti**-huollosta tai -edustajalta.



► Älä hävitä sähkötyökaluja, elektronisia laitteita ja akkuja tavallisen sekajätteen mukana!



- ▶ Jos sinulla on takuuehtoihin liittyviä kysymyksiä, ota yhteys paikalliseen **Hilti**-edustajaan.

Перевод оригинального руководства по эксплуатации

1 Данные руководства по эксплуатации

1.1 Об этом документе



Импортер и уполномоченная изготовителем организация

- (RU) Российская Федерация
АО "Хилти Дистрибьюшн ЛТД", 141402, Московская область, г. Химки, ул. Ленинградская, стр. 25, комната 15.26
- (BY) Республика Беларусь
ИООО "Хилти БиУай", 222750, Минская область, Дзержинский район, Р-1, 18-й км, 2 (около д. Слободка), помещение 1-34
- (KZ) Республика Казахстан
ТОО "Хилти Казахстан", 050057, г. Алматы, Бостандыкский район, ул. Тимирязева, дом 42/15, литер 012 (корпус15)
- (AM) Республика Армения
ООО "ЭЙЧ-КОН", 0070, г. Ереван, ул. Ерванда Кочара 19/28

Страна производства: см. маркировочную табличку на оборудовании.

Дата производства: см. маркировочную табличку на оборудовании.

Соответствующий сертификат можно найти по адресу: www.hilti.ru

Специальных требований к условиям хранения, транспортировки и использования, кроме указанных в руководстве по эксплуатации, нет.

Срок службы изделия составляет 5 лет.

- Перед началом работы изучите это руководство по эксплуатации. Это является залогом безопасной и бесперебойной работы.
- Соблюдайте указания по технике безопасности и предупреждающие указания, приведенные в этом руководстве по эксплуатации и на устройстве.
- Всегда храните руководство по эксплуатации рядом с устройством и передавайте устройство другим людям только вместе с этим руководством по эксплуатации.

1.2 Пояснение к знакам

1.2.1 Предупреждающие указания

Предупреждающие указания служат для предупреждения об опасностях при обращении с изделием. Используются следующие сигнальные слова:

 **ОПАСНО**

ОПАСНО !

- ▶ Общее обозначение непосредственной опасной ситуации, которая влечет за собой тяжелые травмы или смертельный исход.

 **ПРЕДУПРЕЖДЕНИЕ**

ПРЕДУПРЕЖДЕНИЕ !

- ▶ Общее обозначение потенциально опасной ситуации, которая может повлечь за собой тяжелые травмы или смертельный исход.



ОСТОРОЖНО

ОСТОРОЖНО !

- Общее обозначение потенциально опасной ситуации, которая может повлечь за собой травмы или повреждение оборудования (материальный ущерб).

1.2.2 Символы, используемые в руководстве

В этом руководстве используются следующие символы:

	Соблюдать руководство по эксплуатации
	Указания по эксплуатации и другая полезная информация
	Обращение с материалами, пригодными для вторичной переработки
	Не выбрасывайте электроинструменты и аккумуляторы вместе с бытовым мусором!
	Литий-ионный аккумулятор (Li-Ion) Hilti
	Зарядное устройство Hilti

1.2.3 Символы на изображениях

На изображениях используются следующие символы:

	Эти цифры указывают на соответствующее изображение в начале данного руководства.
	Нумерация на иллюстрациях указывает на важные рабочие операции или на компоненты (детали), важные для рабочих операций. В тексте эти рабочие операции или компоненты выделены соответствующими номерами, например (3).
	Номера позиций используются в обзорном изображении. В обзоре изделия они указывают на номера в экспликации.
	Этот знак должен привлечь особое внимание пользователя при обращении с изделием.

1.3 Символы в зависимости от изделия

1.3.1 Символы на изделии

На изделии могут использоваться следующие символы:

	Сверление без удара
	Сверление с ударом (ударное сверление)
	Изменение направления вращения (реверс)
n_0	Номинальная частота вращения в режиме холостого хода
/min	Оборотов в минуту
	Постоянный ток
Li-Ion	Литий-ионный аккумулятор
	Серия используемых литий-ионных аккумуляторов Hilti . Соблюдайте указания, приведенные в главе Использование по назначению .
	Никогда не используйте аккумулятор в качестве ударного инструмента.
	Не допускайте падения аккумулятора. Не используйте аккумулятор, который получил повреждения вследствие удара или каким-либо иным образом.





Изделие поддерживает технологию NFC, совместимую с платформами iOS и Android.

1.4 Информация об изделии

Изделия предназначены для профессионального использования, поэтому они должны обслуживаться и ремонтироваться только уполномоченным и обученным персоналом. Этот персонал должен пройти специальный инструктаж по технике безопасности. Использование изделия и его оснастки не по назначению или его эксплуатация необученным персоналом могут представлять опасность.

Типовое обозначение и серийный номер указаны на заводской табличке.

- ▶ Перепишите серийный номер в нижеприведенную табличную форму. Данные изделия необходимы при обращении в наше представительство или сервисный центр.

Данные изделия

Тип:	TE 2-A22
Поколение:	02
Серийный номер:	

1.5 Декларация соответствия нормам

Настоящим мы с полной ответственностью заявляем, что данное изделие соответствует действующим директивам и нормам. Копию декларации соответствия нормам см. в конце этого документа.

Техническая документация (оригиналы) хранится здесь:

Hilti Entwicklungsgesellschaft mbH | Zulassung Geräte | Hiltistraße 6 | 86916 Kaufering, Германия

2 Безопасность

2.1 Общие указания по технике безопасности для электроинструментов

⚠ ПРЕДУПРЕЖДЕНИЕ Изучите все указания по технике безопасности, инструкции, иллюстрации и технические данные, которые прилагаются к данному электроинструменту. Несоблюдение приводимых ниже указаний может привести к поражению электрическим током, пожару и/или тяжелым травмам.

Сохраните все указания по технике безопасности и инструкции для следующего пользователя.

Используемый далее термин «электроинструмент» относится к электроинструменту, работающему от электрической сети (с кабелем электропитания) и от аккумулятора (без кабеля электропитания).

Безопасность рабочего места

- ▶ Следите за чистой и хорошей освещенностью на рабочем месте. Беспорядок на рабочем месте или плохое освещение могут привести к несчастным случаям.
- ▶ Не используйте электроустройство/электроинструмент во взрывоопасной зоне, где имеются горючие жидкости, газы или пыль. При работе электроустройство/электроинструмент искрит, и искры могут воспламенить пыль или пары/газы.
- ▶ Не разрешайте детям и посторонним приближаться к работающему электроустройству/электроинструменту. Отвлекаясь от работы, можно потерять контроль над электроустройством/электроинструментом.

Электрическая безопасность

- ▶ Соединительная вилка электроинструмента должна соответствовать розетке электросети. Не изменяйте конструкцию вилки! Не используйте переходные вилки с электроинструментами с защитным заземлением. Использование оригинальных вилок и соответствующих им розеток снижает риск поражения электрическим током.
- ▶ Избегайте непосредственного контакта с заземленными поверхностями, например с трубами, отопительными приборами, газо-/электропластинами и холодильниками. При контакте с заземленными предметами возникает повышенный риск поражения электрическим током.
- ▶ Предохраняйте электроинструменты от дождя или воздействия влаги. В результате попадания воды в электроинструмент возрастает риск поражения электрическим током.
- ▶ Не используйте кабель электропитания не по назначению, например для переноски электроинструмента, его подвешивания или для выдергивания вилки из розетки электросети. Защищайте кабель электропитания от воздействий высоких температур, масла, острых кро-



мок или вращающихся деталей/узлов. В результате повреждения или схлестывания кабелей электропитания повышается риск поражения электрическим током.

- ▶ **Если работы с электроинструментом выполняются на открытом воздухе, применяйте только удлинительные кабели, которые разрешено использовать вне помещений.** Использование удлинительного кабеля, пригодного для использования вне помещений, снижает риск поражения электрическим током.
- ▶ **Если избежать работы с электроинструментом в условиях влажности не представляется возможным, используйте автомат защиты от тока утечки.** Использование автомата защиты от тока утечки снижает риск поражения электрическим током.

Безопасность персонала

- ▶ **Будьте внимательны, следите за своими действиями и серьезно относитесь к работе с электроинструментом. Не пользуйтесь электроинструментом, если вы устали или находитесь под действием наркотиков, алкоголя или медикаментов.** Незначительная ошибка при невнимательной работе с электроинструментом может стать причиной серьезного травмирования.
- ▶ **Используйте средства индивидуальной защиты и всегда надевайте защитные очки.** Использование средств индивидуальной защиты, например респиратора, защитной обуви на нескользящей подошве, защитной каски или защитных наушников, в зависимости от вида и условий эксплуатации электроинструмента, снижает риск травмирования.
- ▶ **Избегайте непреднамеренного включения электроинструмента. Убедитесь в том, что электроинструмент выключен, прежде чем подключить его к электропитанию и/или вставить аккумулятор, поднимать или переносить электроинструмент.** Ситуации, когда при переносе электроинструмента палец находится на выключателе или когда включенный электроинструмент подключается к электросети, могут привести к несчастным случаям.
- ▶ **Перед включением электроинструмента удалите регулировочные приспособления или гаечные ключи.** Рабочий инструмент или гаечный ключ, находящийся во вращающейся части электроинструмента, может стать причиной получения травм.
- ▶ **Старайтесь избегать неестественных поз при работе. Постоянно сохраняйте устойчивое положение и равновесие.** Это позволит лучше контролировать электроинструмент в непредвиденных ситуациях.
- ▶ **Носите спецодежду. Не надевайте очень свободную одежду или украшения. Оберегайте волосы, одежду и защитные перчатки от вращающихся узлов электроинструмента.** Свободная одежда, украшения и длинные волосы могут быть захвачены ими.
- ▶ **Если предусмотрено подсоединение устройств для удаления и сбора пыли, убедитесь в том, что они подсоединены и используются по назначению.** Использование пылеудаляющего аппарата снижает вредное воздействие пыли.
- ▶ **Не пребывайте в ложной уверенности в собственной безопасности и не пренебрегайте правилами техники безопасности для электроинструментов, даже если вы являетесь опытным пользователем электроинструмента.** Неосторожное обращение может в течение долей секунды стать причиной получения тяжелых травм.

Использование и обслуживание электроинструмента

- ▶ **Не допускайте перегрузки электроинструмента. Используйте электроинструмент, предназначенный именно для данной работы.** Соблюдение этого правила обеспечит более высокое качество и безопасную работу в указанном диапазоне мощности.
- ▶ **Не используйте электроинструмент с неисправным выключателем.** Электроинструмент, включение или выключение которого затруднено, представляет опасность и должен быть отремонтирован.
- ▶ **Прежде чем приступить к регулировке электроинструмента, замене принадлежностей или перед перерывом в работе выньте вилку из розетки и/или аккумулятор из электроинструмента.** Данная мера предосторожности позволит предотвратить непреднамеренное включение электроинструмента.
- ▶ **Храните неиспользуемые электроинструменты в местах, недоступных для детей. Не позволяйте использовать электроинструмент лицам, которые не ознакомлены с ним или не читали эти инструкции.** Электроинструменты представляют собой опасность в руках неопытных пользователей.
- ▶ **Бережно обращайтесь с электроинструментами и принадлежностями. Проверяйте беспрепятчное функционирование подвижных частей, легкость их хода, целостность и отсутствие повреждений, которые могли бы отрицательно повлиять на работу электроинструмента. Сдавайте поврежденные части электроинструмента в ремонт до его использования.** Причиной многих несчастных случаев является несоблюдение правил технического обслуживания электроинструментов.



- ▶ **Необходимо следить за тем, чтобы режущие инструменты были острыми и чистыми.** Заклинивание содержащихся в надлежащем состоянии режущих инструментов происходит реже, ими легче управлять.
- ▶ **Применяйте электроинструмент, принадлежности (оснастку), рабочие инструменты и т. д. согласно данным указаниям. Учитывайте при этом рабочие условия и характер выполняемой работы.** Использование электроинструментов не по назначению может привести к опасным ситуациям.
- ▶ **Замасленные рукоятки и поверхности для хвата немедленно очищайте — они должны быть сухими и чистыми.** Скользкие рукоятки и поверхности для хвата не обеспечивают безопасное управление и контроль электроинструмента в непредвиденных ситуациях.

Использование и обслуживание аккумуляторного инструмента

- ▶ **Заряжайте аккумуляторы только с помощью зарядных устройств, рекомендованных изготовителем.** При использовании зарядного устройства для зарядки несоответствующих ему типов аккумуляторов существует опасность возгорания.
- ▶ **Используйте только оригинальные аккумуляторы, рекомендованные специально для этого электроинструмента.** Использование других аккумуляторов может привести к травмам и опасности возгорания.
- ▶ **Неиспользуемые аккумуляторы храните вдали от скрепок, монет, ключей, гвоздей, шурупов или других мелких металлических предметов, которые могут стать причиной замыкания контактов.** Замыкание контактов аккумулятора может привести к ожогам или возгоранию.
- ▶ **При неверном обращении с аккумулятором из него может вытечь электролит. Избегайте контакта с ним. При случайном контакте смойте водой. При попадании электролита в глаза немедленно обратитесь за помощью к врачу.** Вытекший из аккумулятора электролит может привести к раздражению кожи или ожогам.
- ▶ **Не используйте поврежденный или измененный аккумулятор.** Поврежденные или измененные аккумуляторы могут функционировать непредсказуемо и стать причиной возгорания, взрыва или травмирования.
- ▶ **Не подвергайте аккумулятор воздействию огня или слишком высоких температур.** Огонь или температура свыше 130 °C могут спровоцировать взрыв аккумулятора.
- ▶ **Соблюдайте все указания по зарядке и никогда не заряжайте аккумулятор или аккумуляторный инструмент вне температурного диапазона, указанного в руководстве по эксплуатации.** Неправильная зарядка/зарядка вне указанного в руководстве по эксплуатации температурного диапазона могут привести к разрушению аккумулятора и повышают опасность возгорания.

Сервис

- ▶ **Доверяйте ремонт своего электроинструмента только квалифицированному персоналу, использующему только оригинальные запчасти.** Этим обеспечивается поддержание электроинструмента в безопасном состоянии.
- ▶ **Категорически запрещается выполнять обслуживание поврежденных аккумуляторов.** Все технические работы с аккумуляторами должны выполняться только производителем или авторизованными сервисными мастерскими.

2.2 Указания по технике безопасности при работе с перфораторами

Указания по технике безопасности при выполнении любых работ

- ▶ **Надевайте защитные наушники.** В результате воздействия шума возможна потеря слуха.
- ▶ **Используйте дополнительные рукоятки, которые входят в комплект электроинструмента.** Потеря контроля над электроинструментом может привести к травмам.
- ▶ **При опасности повреждения рабочим инструментом скрытой электропроводки держите электроинструмент за изолированные поверхности рукояток.** При контакте с токопроводящей линией металлические части электроинструмента также находятся под напряжением, что может привести к поражению электрическим током.

Указания по технике безопасности при использовании длинных сверл

- ▶ **Процесс сверления всегда начинайте с низкой частотой вращения. При этом сверло должно контактировать с заготовкой.** В противном случае сверло может легко деформироваться, если оно будет свободно вращаться без контакта с заготовкой, и травмировать пользователя.
- ▶ **Не прижимайте сверло с чрезмерным усилием. При сверлении следите за тем, чтобы прилагаемое усилие было направлено (распределялось) по оси сверла.** Сверла могут деформироваться и вследствие этого ломаться или возможна потеря контроля, что, в свою очередь, может привести к получению травм.



2.3 Дополнительные указания по технике безопасности при работе с перфоратором

Безопасность персонала

- ▶ Используйте электроинструмент и его принадлежности только в технически исправном состоянии.
- ▶ Внесение изменений в конструкцию электроинструмента/принадлежностей или его/их модификация категорически запрещаются.
- ▶ Используйте дополнительные рукоятки, входящие в комплект электроинструмента. Потеря контроля над электроинструментом может привести к травмам.
- ▶ При изготовлении сквозных проемов ограждайте опасную зону с противоположной стороны стены. Вылетающие наружу и/или падающие вниз осколки могут травмировать других людей.
- ▶ Всегда надежно удерживайте электроинструмент обеими руками за предусмотренные для этого рукоятки. Следите за тем, чтобы рукоятки были сухими и чистыми.
- ▶ При опасности повреждения рабочим инструментом скрытой электропроводки держите электроинструмент за изолированные поверхности для хвата. При контакте с токопроводящей линией металлические части электроинструмента также находятся под напряжением, что может привести к удару электрическим током.
- ▶ Не прикасайтесь к вращающимся деталям/узлам электроинструмента — опасность травмирования!
- ▶ При выполнении работ с электроинструментом надевайте защитные очки, защитную каску, защитные наушники и подходящие респираторы.
- ▶ При замене рабочего инструмента надевайте защитные перчатки. Соблюдайте осторожность при замене рабочего инструмента — контакт с ним может привести к порезам и ожогам.
- ▶ Пользуйтесь защитными очками. Осколки материала могут травмировать тело и глаза.
- ▶ Пыль, возникающая при шлифовании, абразивной обработке, резке и сверлении, может содержать опасные химические вещества. Несколько примеров материалов, содержащих опасные вещества: свинец или краски на свинцовой основе; кирпич, бетон и другие материалы для кладки, природный камень и другие силикатсодержащие изделия; определенные виды древесины, такие как дуб, бук и химически обработанная древесина; асбест или материалы, содержащие асбест. Определите степень воздействия на оператора и окружающих лиц по классу опасности обрабатываемых материалов. Примите необходимые меры для обеспечения безопасного уровня воздействия, например, путем использования подходящих систем пылеудаления или ношения подходящих средств защиты органов дыхания. Общие меры по снижению опасного воздействия:
 - ▶ Работайте в хорошо проветриваемом помещении.
 - ▶ Избегайте длительного контакта с пылью.
 - ▶ Удаляйте пыль с лица и тела.
 - ▶ Носите защитную одежду и промывайте открытые участки, подверженные воздействию, водой с мылом.
- ▶ Чтобы во время работы руки не затекали, время от времени делайте перерывы и упражнения для расслабления и разминки пальцев. Возникающие при длительной работе вибрации могут привести к нарушениям кровоснабжения сосудов или в нервных окончаниях пальцев/кистей рук или в запястьях.

Электрическая безопасность

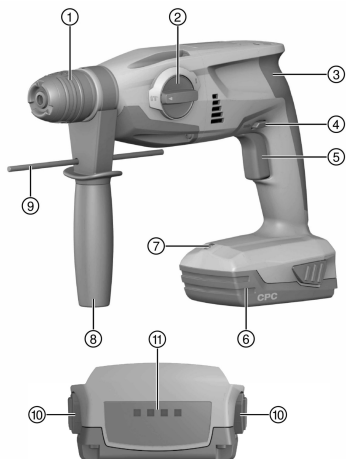
- ▶ Перед началом работы проверяйте рабочую зону на наличие скрытой электропроводки, газо- и водопроводных труб. Открытые металлические части электроинструмента могут стать проводниками электрического тока или привести к взрыву, если случайно задеть (повредить) электропроводку, газо- или водопровод.

Бережное обращение с электроинструментами и их правильная эксплуатация

- ▶ Немедленно выключайте электроинструмент в случае блокировки рабочего инструмента. Электроинструмент может увести в сторону.
- ▶ Дождитесь полной остановки электроинструмента, прежде чем убирать его в сторону.



3.1 Обзор изделия 1



- ① Зажимной патрон TE-C Click
- ② Переключатель режимов работы
- ③ Рукоятка
- ④ Переключатель левого/правого вращения с блокировкой включения
- ⑤ Основной выключатель
- ⑥ Аккумулятор
- ⑦ Подсветка рабочей зоны
- ⑧ Боковая рукоятка
- ⑨ Ограничитель глубины
- ⑩ Кнопки (де)блокировки с дополнительной функцией активации индикатора уровня заряда аккумулятора
- ⑪ Индикатор уровня заряда аккумулятора

3.2 Использование по назначению

Данный электроинструмент представляет собой аккумуляторный перфоратор, который предназначен для ударного сверления отверстий в бетоне и кирпичной кладке, безударного сверления в стали, древесине и кирпичной кладке, а также для вворачивания и выворачивания шурупов.

- Для этого изделия используйте только литий-ионные аккумуляторы **Hilti** серии В 22.
- Для зарядки этих аккумуляторов используйте только разрешенные фирмой **Hilti** зарядные устройства. Дополнительную информацию см. в **Hilti Store** или на www.hilti.group.

3.3 Уровень заряда литий-ионного аккумулятора

При использовании литий-ионных аккумуляторов уровень их заряда можно контролировать путем нажатия одной из кнопок (де)блокировки.

Состояние	Значение
Горят четыре светодиода.	Уровень заряда: от 75 % до 100 %
Горят три светодиода.	Уровень заряда: от 50 % до 75 %
Горят два светодиода.	Уровень заряда: от 25 % до 50 %
Горит один светодиод.	Уровень заряда: от 10 % до 25 %
Мигает один светодиод.	Уровень заряда: < 10 %

Во время работы и непосредственно после ее завершения вызов индикации уровня заряда невозможен. При мигании светодиодов индикатора уровня заряда аккумулятора следуйте указаниям из главы «Поиск и устранение неисправностей».

3.4 Комплект поставки

Перфоратор, боковая рукоятка, ограничитель глубины, руководство по эксплуатации
 Пылеудаляющий модуль TE DRS-S используется в качестве оснастки для выполнения работ без пыли. Другие системные принадлежности, допущенные для использования с этим изделием, вы можете найти в **Hilti Store** или на сайте www.hilti.group



4 Технические данные

4.1 Перфоратор

	TE 2-A22
Номинальное напряжение	21,6 В
Масса по ЕРТА Procedure 01 с аккумулятором B22&8.0	3,3 кг
Диапазон диаметров сверления в бетоне/кирпичной кладке (сверление с ударом)	4 мм ... 16 мм
Диапазон диаметров сверления отверстий в металле (сверло по металлу)	0 мм ... 10 мм
Максимальная длина ограничителя глубины	180 мм

4.2 Данные по шуму и вибрациям согласно EN 62841

Приводимые здесь значения уровня звукового давления и вибрации были измерены согласно стандартизированной процедуре измерения и могут использоваться для сравнения электроинструментов между собой. Они также подходят для предварительной оценки вредных воздействий.

Указанные данные применимы к основным областям применения электроинструмента. Однако, если электроинструмент используется для других целей, с другими рабочими (сменными) инструментами или в случае его неудовлетворительного технического обслуживания, данные могут быть иными. Вследствие этого в течение всего периода работы электроинструмента возможно значительное увеличение вредных воздействий.

Для точного определения вредных воздействий следует также учитывать промежутки времени, в течение которых электроинструмент находится в выключенном состоянии или работает вхолостую. Вследствие этого в течение всего периода работы электроинструмента возможно заметное уменьшение вредных воздействий.

Примите дополнительные меры безопасности для защиты пользователя от воздействия возникающего шума и/или вибраций, например: техническое обслуживание электроинструмента и рабочих (сменных) инструментов, сохранение тепла рук, правильная организация рабочих процессов.

Данные о шуме

Уровень звуковой мощности (L_{WA})	103 дБ(А)
Значение уровня звукового давления (L_{pA})	92 дБ(А)
Погрешность (значения шума) (K_{pA} и K_{WA})	3 дБ(А)

Общие значения вибрации

Сверление в металле ($a_{h, D}$)	B 22/2.6 Li-Ion (01)	2,5 м/с ²
Сверление с ударом в бетоне ($a_{h, HD}$)	B 22/2.6 Li-Ion (01)	12,7 м/с ²
Погрешность (общие значения вибрации)		1,5 м/с ²

4.3 Аккумулятор

Рабочее напряжение аккумулятора	21,6 В
Температура окружающей среды при эксплуатации	-17 °C ... 60 °C
Температура хранения	-20 °C ... 40 °C
Температура аккумулятора в начале зарядки	-10 °C ... 45 °C



5 Эксплуатация

5.1 Подготовка к работе

ПРЕДУПРЕЖДЕНИЕ

Опасность травмирования вследствие непреднамеренного пуска!

- ▶ Перед установкой аккумулятора убедитесь в том, что соответствующий электроинструмент выключен.
- ▶ Прежде чем приступить к регулировке электроинструмента или замене принадлежностей выньте аккумулятор из электроинструмента.

Соблюдайте указания по технике безопасности и предупреждающие указания, приводимые в данном документе и на изделии.

5.1.1 Установка боковой рукоятки

1. Поверните рукоятку, чтобы расфиксировать фиксатор (фиксирующее кольцо) боковой рукоятки.
2. Установите фиксатор (фиксирующее кольцо) спереди через патрон в предусмотренный для этого паз.
3. Установите боковую рукоятку в нужное положение.
4. Поверните рукоятку, чтобы зажать фиксатор (фиксирующее кольцо) боковой рукоятки.

5.1.2 Установка аккумулятора

1. Установите и зафиксируйте аккумулятор в креплении электроинструмента (при правильной фиксации слышен характерный щелчок).
2. Проверьте надежность фиксации аккумулятора.

5.1.3 Удаление аккумулятора

1. Нажмите кнопки деблокировки аккумулятора.
2. Вытяните аккумулятор движением к себе.

5.1.4 Установка рабочего инструмента

1. Слегка смажьте хвостовик рабочего инструмента.
 - ▶ Используйте только оригинальную пластичную смазку фирмы Hilti. Использование неподходящей пластичной смазки может стать причиной повреждений электроинструмента.
2. Вставьте рабочий инструмент до упора в зажимной патрон (до фиксации).
3. После этого потяните рабочий инструмент на себя, чтобы убедиться в том, что он надежно зафиксирован.
 - ▶ Электроинструмент готов к работе.

5.1.5 Извлечение рабочего инструмента

ОСТОРОЖНО

Опасность травмирования рабочим инструментом! Рабочий инструмент может нагреваться или иметь острые кромки.

- ▶ При смене рабочего инструмента пользуйтесь защитными перчатками.

- ▶ Оттяните патрон до упора назад и извлеките рабочий инструмент.

5.1.6 Установка ограничителя глубины (опция)

1. Поверните рукоятку, чтобы расфиксировать фиксатор (фиксирующее кольцо) боковой рукоятки.
2. Установите ограничитель глубины спереди в два специально предназначенных для этого направляющих отверстия.
3. Поверните рукоятку, чтобы зажать фиксатор (фиксирующее кольцо) боковой рукоятки.

5.2 Выполнение работ

ОСТОРОЖНО

Опасность повреждения вследствие неправильного обращения!

- ▶ Не нажимайте переключатель направления вращения и/или режима во время работы.



Соблюдайте указания по технике безопасности и предупреждающие указания, приводимые в данном документе и на изделии.

5.2.1 Освещение рабочего места



Светодиод включается автоматически при нажатии (основного) выключателя. После отпускания выключателя светодиод медленно гаснет.

- ▶ Нажмите основной выключатель.

5.2.2 Направление вращения

- ▶ Отрегулируйте направление вращения.
 - ▶ Переключатель зафиксирован в этом положении.

5.2.3 Сверление без удара

- ▶ Установите переключатель режимов работы на этот символ:

5.2.4 Ударное сверление

- ▶ Установите переключатель режимов работы на этот символ:

6 Уход и техническое обслуживание

6.1 Уход и техническое обслуживание



ПРЕДУПРЕЖДЕНИЕ

Опасность травмирования при установленном аккумуляторе !

- ▶ Перед проведением любых работ по уходу и обслуживанию всегда извлекайте аккумулятор!

Уход за электроинструментом

- Удаляйте налипшую грязь с осторожностью.
- Осторожно очищайте вентиляционные прорези (при наличии) сухой мягкой щеткой.
- Очищайте корпус только слегка увлажненной тканью. Не используйте средства по уходу с содержанием силикона, поскольку они могут повредить пластиковые детали.
- Для очистки контактов электроинструмента используйте чистую сухую тряпку.

Уход за литий-ионными аккумуляторами

- Категорически запрещается использовать аккумулятор с забитыми вентиляционными прорезями. Осторожно очистите вентиляционные прорези сухой мягкой щеткой.
- Не допускайте чрезмерного запыления или загрязнения аккумулятора. Категорически запрещается подвергать аккумулятор чрезмерному воздействию влаги (например, опускать его в воду или оставлять под дождем).

Если аккумулятор промокнет, обращайтесь с ним, как с поврежденным. Поместите его в контейнер из негорючего материала и обратитесь в сервисную службу **Hilti**.

- Аккумулятор должен быть чистым, без следов масла и смазки. Не допускайте чрезмерного скопления пыли или грязи на аккумуляторе. Очищайте аккумулятор сухой мягкой кистью или чистой и сухой тряпкой. Не используйте средства по уходу с содержанием силикона, поскольку они могут повредить пластиковые детали.

Не прикасайтесь к контактам аккумулятора и не удаляйте с них смазку, нанесенную на заводе.

- Очищайте корпус только слегка увлажненной тканью. Не используйте средства по уходу с содержанием силикона, поскольку они могут повредить пластиковые детали.

Техническое обслуживание

- Регулярно проверяйте все видимые части электроинструмента на отсутствие повреждений, а элементы управления — на исправное функционирование.
- При повреждениях и/или функциональных сбоях не используйте электроинструмент. Незамедлительно сдайте его для ремонта в сервисный центр **Hilti**.
- После ухода за электроинструментом и его технического обслуживания установите все защитные приспособления на место и проверьте их исправное функционирование.



i Для обеспечения безопасной эксплуатации используйте только оригинальные запасные части и расходные материалы. Допущенные Hilti запасные части, расходные материалы и принадлежности для этого электроинструмента вы можете найти в **Hilti Store** или на: www.hilti.group

6.2 Очистка пылезащитного колпачка

- ▶ Регулярно выполняйте очистку пылезащитного колпачка на зажимном патроне с помощью сухой и чистой ткани.
- ▶ Осторожно протрите уплотнительный язычок начисто и снова смажьте его тонким слоем пластичной смазки **Hilti**.
- ▶ Всегда заменяйте пылезащитный колпачок, если уплотнительный язычок поврежден.

7 Транспортировка и хранение

7.1 Транспортировка и хранение аккумуляторных инструментов и аккумуляторов

Транспортировка

ОСТОРОЖНО

Непреднамеренное включение в ходе транспортировки !

- ▶ При транспортировке своих электроинструментов всегда отсоединяйте от них аккумуляторы!
- ▶ Извлеките аккумулятор(ы).
- ▶ Категорически запрещается транспортировать аккумуляторы без упаковки (бестарным способом). Во время транспортировки необходимо принять меры по защите аккумуляторов от сильных ударов и вибраций и изолировать их от любых токопроводящих материалов или других аккумуляторов, чтобы не допустить их контакта с клеммами других аккумуляторов и, как следствие этого, короткого замыкания. **Соблюдайте действующие предписания по транспортировке аккумуляторов.**
- ▶ Запрещается пересылать аккумуляторы по почте. Обратитесь в транспортно-экспедиционную компанию, если вы хотите переслать поврежденные аккумуляторы.
- ▶ Перед каждым использованием, а также перед длительной транспортировкой и после нее проверьте электроинструмент и аккумуляторы на отсутствие повреждений.

Хранение

ПРЕДУПРЕЖДЕНИЕ

Непреднамеренное повреждение вследствие неисправных или протекающих аккумуляторов !

- ▶ При хранении своих электроинструментов всегда отсоединяйте от них аккумуляторы!
- ▶ По возможности храните фонарь и аккумуляторы в сухом и прохладном месте. Соблюдайте ограничения по температуре, приводимые в технических характеристиках.
- ▶ Не храните аккумуляторы на зарядном устройстве. После зарядки всегда извлекайте аккумулятор из зарядного устройства.
- ▶ Никогда не оставляйте аккумуляторы на солнце, на нагревательных/отопительных элементах или за стеклом.
- ▶ Храните фонарь и аккумуляторы в недоступном для детей и посторонних лиц месте.
- ▶ Перед каждым использованием, а также перед длительным хранением и после него проверяйте электроинструмент и аккумуляторы на отсутствие повреждений.

8 Поиск и устранение неисправностей

8.1 Помощь при неисправностях



В случае неисправностей, которые не указаны в этой таблице или которые вы не можете устранить самостоятельно, обращайтесь в ближайший сервисный центр **Hilti**.



8.2 Перфоратор неисправен

Неисправность	Возможная причина	Решение
Перфоратор не включается.	Перфоратор перегружен.	▶ Выключите перфоратор, извлеките аккумулятор и больше не выполняйте никаких работ с использованием перфоратора.
Светодиоды ничего не показывают.	Аккумулятор вставлен не полностью.	▶ Установите аккумулятор с характерным (двойным) щелчком.
	Разрядите аккумулятор.	▶ Замените аккумулятор и зарядите разряженный аккумулятор.
	Аккумулятор слишком холодный/слишком горячий	▶ Уменьшите/увеличьте температуру аккумулятора до рекомендованной рабочей температуры.
Мигает 1 светодиод.	Разрядите аккумулятор.	▶ Замените аккумулятор и зарядите разряженный аккумулятор.
	Аккумулятор слишком холодный/слишком горячий	▶ Уменьшите/увеличьте температуру аккумулятора до рекомендованной рабочей температуры.
4 светодиода мигают.	Кратковременная перегрузка перфоратора.	▶ Отпустите выключатель и нажмите его снова.
	Сработала защита от перегрева.	▶ Дайте остыть перфоратору и очистите его вентиляционные отверстия.

8.3 Перфоратор исправен

Неисправность	Возможная причина	Решение
Не выполняется сверление с ударом.	Перфоратор слишком холодный.	▶ Установите перфоратор на основание и дайте ему поработать в холостом режиме. При необходимости повторите процедуру, пока работает ударный механизм.
	Установите переключатель режимов работы в положение «Сверление с ударом»  .	▶ Установите переключатель режимов работы в положение «Сверление с ударом»  .
Основной выключатель не включается/заблокирован.	Переключатель левого/правого вращения находится в среднем положении.	▶ Переведите переключатель левого/правого вращения в правое или левое положение.
Шпиндель не вращается	Превышена допустимая рабочая температура электроники перфоратора.	▶ Дайте остыть перфоратору.
	Разрядите аккумулятор.	▶ Замените аккумулятор и зарядите разряженный аккумулятор.
Перфоратор автоматически отключается.	Сработала система защиты от перегрузки электродвигателя.	▶ Отпустите основной выключатель. Дайте остыть перфоратору. Нажмите выключатель снова. Уменьшите нагрузку на электроинструмент.



Неисправность	Возможная причина	Решение
Аккумулятор разряжается быстрее, чем обычно.	Состояние аккумулятора далеко от оптимального.	▶ Замените аккумулятор.
При установке аккумулятора не слышно характерного (двойного) щелчка.	Грязь на контактах аккумулятора.	▶ Очистите фиксирующие выступы и установите аккумулятор повторно.
Сильный нагрев перфоратора или аккумулятора.	Электрическая неисправность	▶ Немедленно выключите перфоратор. Извлеките аккумулятор и наблюдайте за ним. Дайте ему остыть. Свяжитесь с сервисной службой Hilti .
	Перфоратор перегружен (работа за пределами эксплуатационных характеристик).	▶ Выберите подходящий для конкретной области применения электроинструмент.
Рабочий инструмент не высвобождается из фиксатора.	Не полностью отжат зажимной патрон.	▶ Извлеките фиксатор до упора и извлеките рабочий инструмент.
Рабочий (сменный) инструмент не функционирует.	Перфоратор установлен на левое вращение.	▶ Переверните переключатель левого/правого вращения в правое положение.

9 Утилизация

Большинство материалов, из которых изготовлены электроинструменты **Hilti**, подлежат вторичной переработке. Перед утилизацией следует тщательно рассортировать материалы (для удобства их последующей переработки). Во многих странах фирма **Hilti** уже организовала прием старых (электро)инструментов (изделий) для утилизации. Дополнительную информацию по этому вопросу можно получить в отделе по обслуживанию клиентов или у консультантов по продажам фирмы **Hilti**.



- ▶ Не выбрасывайте электрические инструменты, электронные устройства/приборы и аккумуляторы вместе с обычным мусором!

10 Гарантия производителя

- ▶ С вопросами по поводу гарантийных условий обращайтесь в ближайшее представительство **Hilti**.

Оригинално Ръководство за експлоатация

1 Данни за Ръководството за експлоатация

1.1 Към Ръководството за експлоатация

- Преди пускане в експлоатация прочетете настоящото Ръководство за експлоатация. Това е предпоставка за безопасна работа и безаварийна употреба.
- Спазвайте указанията за безопасност и предупреждение в това Ръководство за експлоатация и върху продукта.
- Съхранявайте Ръководството за експлоатация винаги заедно с продукта и предавайте продукта на други лица само заедно с настоящото Ръководство за експлоатация.

1.2 Условни обозначения

1.2.1 Предупредителни указания

Предупредителните указания предупреждават за опасност в зоната около продукта. Използват се следните сигнални думи:



⚠ ОПАСНОСТ

ОПАСНОСТ !

- ▶ Отнася се за непосредствена опасност от заплаха, която води до тежки телесни наранявания или смърт.

⚠ ПРЕДУПРЕЖДЕНИЕ

ПРЕДУПРЕЖДЕНИЕ !

- ▶ Отнася се за възможна опасност от заплаха, която може да доведе до тежки телесни наранявания или смърт.

⚠ ПРЕДПАЗЛИВОСТ

ВНИМАНИЕ !

- ▶ Отнася се за възможна опасна ситуация, която може да доведе до телесни наранявания или материални щети.

1.2.2 Символи в Ръководството за експлоатация

В настоящото Ръководство за експлоатация се използват следните символи:

	Да се съблюдава Ръководството за експлоатация
	Препоръки при употреба и друга полезна информация
	Боравене с рециклируеми материали
	Не изхвърляйте електроуреди и акумулатори в битовите отпадъци
	Hilti Литиево-йонен акумулатор
	Hilti Зарядно устройство

1.2.3 Символи във фигурите

Във фигурите се използват следните символи:

2	Тези числа препращат към съответната фигура в началото на настоящото Ръководство за експлоатация.
3	Номерирането в илюстрациите показва важни работни стъпки или компоненти, които са важни за работните стъпки. В текста тези работни стъпки или компоненти са означени със съответните номера, напр. (3) .
11	Позиционните номера се използват в илюстрацията Преглед и препращат към номерата на легендата в Раздел Преглед на продукта .
	Този знак трябва да предизвика Вашето специално внимание при работа с продукта.

1.3 Символи в зависимост от продукта

1.3.1 Символи върху продукта

Върху продукта може да се използват следните символи:

	Безударно пробиване
	Ударно пробиване (пробиване с удар)
	Дясно/ляво въртене
n_0	Обороти на празен ход при измерване
/min	Обороти в минута



	Постоянен ток
	Литиево-йонен акумулатор
	Използвани типове Hilti литиево-йонни акумулатори. Съблюдавайте указанията в Раздел Употреба по предназначение .
	Никога не използвайте акумулатора като ударен механизъм.
	Не оставяйте акумулатора да падне. Не използвайте акумулатор, който е бил ударен или е повреден по друг начин.
	Уредът поддържа NFC-технологията, която е съвместима с iOS- и Android платформи.

1.4 Информация за продукта

Hilti Продуктите са предназначени за професионални потребители и могат да бъдат обслужвани, поддържани в изправност и ремонтирани само от оторизиран компетентен персонал. Този персонал трябва да бъде специално инструктиран за възможните опасности. Продуктът и неговите приспособления могат да бъдат опасни, ако бъдат експлоатирани неправомерно от неквалифициран персонал или ако бъдат използвани не по предназначение.

Обозначението на типа и серийният номер са отбелязани върху типовата табелка.

- ▶ Пренесете серийния номер в представената по-долу таблица. Вие се нуждаете от данните за продукта, когато се обръщате с въпроси към нашето представителство или сервизен отдел.

Данни за продукта

Тип:	TE 2-A22
Поколение:	02
Сериен №:	

1.5 Декларация за съответствие

Ние декларираме на собствена отговорност, че описаният тук продукт отговаря на действащите директиви и стандарти. Копие на Декларацията за съответствие ще намерите в края на настоящата документация.

Техническата документация се съхранява тук:

Hilti Entwicklungsgesellschaft mbH | Zulassung Geräte | Hiltistraße 6 | 86916 Kaufering, DE

2 Безопасност

2.1 Общи указания за безопасност при електроинструменти

⚠ ПРЕДУПРЕЖДЕНИЕ Прочетете всички указания за безопасност, инструкции, илюстрации и технически характеристики, с които е снабден този електроинструмент. Пропуски при спазване на приведените по-долу инструкции могат да предизвикат електрически удар, пожар и/или тежки наранявания.

Съхранявайте всички указания за безопасност и инструкции за бъдещи справки.

Използването в указанията за безопасност понятие "електроинструмент" се отнася до захранвани от електрическата мрежа електроинструменти (със захранващ кабел) или до захранвани от акумулатор електроинструменти (без захранващ кабел).

Безопасност на работното място

- ▶ **Поддържайте работното си място чисто и добре осветено.** Безпорядъкът или недостатъчното осветление в работната зона може да доведат до злополуки.
- ▶ **Не работете с електроинструмента във взривоопасна среда, където има горими течности, газове или прах.** В електроинструментите се отделят искри, които могат да възпламенят прахове или изпарения.
- ▶ **Дръжте деца и странични лица на безопасно разстояние, докато работите с електроинструмента.** Ако вниманието Ви бъде отклонено, може да загубите контрол върху уреда.



Безопасност при работа с електроинструменти

- ▶ **Съединителният щепсел на електроинструмента трябва да бъде подходящ за контакта. В никакъв случай не се допуска изменение на конструкцията на щепсела. Ако работите със заземени електроинструменти, не използвайте адаптери за щепсела.** Използването на оригинални щепсели и подходящи контакти намалява риска от електрически удар.
- ▶ **Избягвайте допира на тялото Ви до заземени повърхности като тръби, отоплителни уреди, печки и хладилници.** Рискът от възникване на електрически удар се увеличава, ако тялото Ви е заземено.
- ▶ **Предпазвайте електроинструментите от дъжд или влага.** Проникването на вода в електроинструмента повишава опасността от възникване на електрически удар.
- ▶ **Не използвайте съединителния проводник за цели, за които не е предназначен, напр. за носене на електроинструмента, за окачване или за изваждане на щепсела от контакта.** Предпазвайте съединителния проводник от нагряване, масла, остри ръбове или движещи се части. Повредени или усукани съединителни проводници увеличават риска от електрически удар.
- ▶ **Ако работите с електроинструмент на открито, използвайте само удължителни кабели, които са подходящи и за работа навън.** Използването на удължителен кабел, предназначен за работа на открито, намалява риска от електрически удар.
- ▶ **Ако не можете да избегнете работа с електроинструмента във влажна среда, използвайте ключ с вградена дефектотокова защита.** Използването на ключ с вградена дефектотокова защита намалява риска от електрически удар.

Безопасен начин на работа

- ▶ **Бъдете концентрирани, следете внимателно действията си и постъпвайте разумно при работа с електроинструменти. Не използвайте електроинструмент, ако сте уморени или се намирате под въздействие на наркотици, алкохол или медикаменти.** Само един момент на невнимание при използването на електроинструмента може да доведе до сериозни наранявания.
- ▶ **Носете лични предпазни средства и работете винаги със защитни очила.** Носенето на лични предпазни средства, като прахозащитна маска, безопасни обувки със стабилен грайфер, защитна каска или антифони, според вида и употребата на електроинструмента, намалява риска от наранявания.
- ▶ **Избягвайте неволно включване на електроинструмента. Уверете се, че електроинструментът е изключен, преди да го свържете към електрозахранването и/или акумулатора, преди да го вземате или пренасяте.** Ако при носене на електроинструмента държите пръста си върху пусковия прекъсвач или ако свържете включения уред към електрозахранването, съществува опасност от злополука.
- ▶ **Преди да включите електроинструмента, се уверете, че сте отстранили от него всички инструменти за настройка или гаечни ключове.** Инструмент или ключ, който се намира на въртящо се звено, може да доведе до наранявания.
- ▶ **Избягвайте неудобните положения на тялото. Работете при стабилно положение на тялото и пазете равновесие във всеки един момент.** Така ще можете да контролирате електроинструмента по-добре, ако възникнат неочаквани ситуации.
- ▶ **Работете с подходящо облекло. Не работете с широки и дълги дрехи или украшения. Дръжте косата си, дрехите си и ръкавиците си на безопасно разстояние от въртящи се части.** Свободните дрехи, украшенията или дългите коси могат да бъдат захванати и увлечени от въртящи се части.
- ▶ **Ако е възможно монтирането на съоръжения за събиране и изсмукване на прах, се уверете, че те са включени и се използват правилно.** Използването на прахоуловител може да намали породените от прахове опасности.
- ▶ **Не се поддавайте на измамното усещане за сигурност и не пренебрегвайте правилата за безопасност за електроинструменти дори и след като много добре сте опознали електроинструмента и сте го използвали многократно.** Нехайното действие може да доведе за части от секундата до тежки наранявания.

Използване и обслужване на електроинструмента

- ▶ **Не претоварвайте уреда. Използвайте електроинструмента само съобразно неговото предназначение.** Ще работите по-добре и по-безопасно, ако използвате подходящия електроинструмент в посочения диапазон на мощност.
- ▶ **Не използвайте електроинструмент, чийто прекъсвач е повреден.** Електроинструмент, който не може повече да бъде включван или изключван, е опасен и трябва да бъде ремонтиран.
- ▶ **Издадете щепсела от контакта и/или отстранете разглобения акумулатор, преди да предприемете действия по настройките на уреда, смяната на принадлежности или прибирането на**



уред. Тази предпазна мярка предотвратява опасността от задействане на електроинструмента по невнимание.

- ▶ **Съхранявайте неизползвани в момента електроинструменти далеч от достъпа на деца. Не допускате използването на уреда от лица, които не са запознати с него или не са прочели настоящите инструкции.** В ръцете на неопитни потребители електроинструментите могат да бъдат опасни.
- ▶ **Отнасяйте се грижливо към електроинструменти и принадлежности.** Проверявайте дали подвижните елементи функционират безупречно и не заклинват, дали има счупени или повредени части, които нарушават функциите на електроинструмента. Преди да използвате уреда, дайте повредените части за ремонт. Много злополуки се дължат на лошо поддържани електроинструменти.
- ▶ **Поддържайте режещите инструменти винаги добре заточени и чисти.** Добре поддържаните режещи инструменти с остри ръбове заклинват по-рядко и се водят по-лесно.
- ▶ **Използвайте електроинструменти, принадлежности, сменяеми инструменти и т.н. съгласно настоящите инструкции.** Съобразявайте се и с конкретните работни условия и с дейностите, които трябва да бъдат извършвани. Употребата на електроинструменти за цели, различни от предвидените от производителя, може да доведе до опасни ситуации.
- ▶ **Поддържайте ръкохватките и повърхностите за хващане сухи, чисти и незамазани от масла и смазки.** Хлъзгави ръкохватки и повърхности за хващане не позволяват безопасно обслужване и контрол на електроинструмента в непредвидени ситуации.

Използване и обслужване на акумулаторния инструмент

- ▶ **Зареждайте акумулаторите само с препоръчани от производителя зарядни устройства.** При зарядно устройство, подходящо за определен вид акумулатори, съществува опасност от пожар, ако то се използва с други акумулатори.
- ▶ **Използвайте в електроинструментите само предвидените за съответния модел акумулатори.** Употребата на други акумулатори може да доведе до наранявания и опасност от пожар.
- ▶ **Съхранявайте неизползваните акумулатори далече от кламери, монети, ключове, пирони, винтове или други дребни метални предмети, тъй като те могат да предизвикат късо съединение в контактите.** При късо съединение в контактите на акумулатора може да се получат изгаряния или да възникне пожар.
- ▶ **Ако акумулаторът се използва неправилно, от него може да излезе течност. Избягвайте контакт с тази течност.** При случаен контакт изплакнете мястото обилно с вода. Ако течността попадне в очите, потърсете допълнително лекарска помощ. Излизашата от акумулатора течност може да причини кожни раздразнения или изгаряния.
- ▶ **Не използвайте повреден или модифициран акумулатор.** Повредените или модифицирани акумулатори могат да имат непредвидимо поведение и да предизвикат огън, експлозия или да породят опасност от наранявания.
- ▶ **Не подлагайте акумулатора на въздействието на огън или твърде високи температури.** Огън или температури над 130 °C (265 °F) могат да предизвикат експлозия.
- ▶ **Следвайте всички инструкции относно зареждането и никога не зареждайте акумулатора или акумулаторния инструмент извън посочения в Ръководството за експлоатация температурен обхват.** Неправилното зареждане или зареждането извън допустимия температурен обхват може да разруши акумулатора и да повиши опасността от възникване на пожар.

Сервизиране

- ▶ **Ремонтът на електроинструмента трябва да се извършва само от квалифицирани специалисти и само с оригинални резервни части.** По този начин се гарантира безопасността на съхранението на уреда.
- ▶ **Никога не обслужвайте повредени акумулатори.** Цялостната поддръжка на акумулаторите следва да се извършва само от производителя или от оторизирани центрове за обслужване на клиенти.

2.2 Указания за безопасност за чукове

Указания за безопасност за всички дейности

- ▶ **Носете антифони.** Въздействието на шума може да доведе до загуба на слуха.
- ▶ **Използвайте доставените заедно с уреда допълнителни ръкохватки.** Загубата на контрол може да доведе до наранявания.
- ▶ **Дръжте уреда за изолираните повърхности за хващане, когато извършвате работи, при които сменяемият инструмент може да попадне на скрита токопроводимост.** Контактът с тоководещи проводници може да постави под напрежение също и метални части на уреда и да доведе до възникване на токов удар.



Указания за безопасност при използване на дълги свредла

- ▶ **Започвайте процеса на пробиване винаги с малък брой обороти и по време контакта на свредлото с детайла.** При по-високи обороти свредлото може леко да се огъне, когато може да се върти свободно без контакт с детайла, и да причини наранявания.
- ▶ **Не прилагайте прекомерен натиск и пробивайте само в надлъжна посока.** Свредлата могат да се огънат и затова да се счупят или да причинят загуба на контрол и наранявания.

2.3 Допълнителни указания за безопасност при ударно-пробивна машина

Безопасен начин на работа

- ▶ Използвайте продукта и принадлежностите само в технически изправно състояние.
- ▶ Никога не извършвайте манипулации или промени по продукта или принадлежностите.
- ▶ Използвайте доставените заедно с продукта допълнителни ръкохватки. Загубата на контрол може да доведе до наранявания.
- ▶ При пробиване на проходни отвори обезопасете областта на срещуположната страна на извършваните дейности. Отделящите се отломки може да изпадат навън и / или надолу и да наранят други хора.
- ▶ Винаги дръжте продукта здраво с две ръце за предвидените за целта ръкохватки. Поддържайте ракохватките сухи и чисти.
- ▶ Дръжте електроинструмента за изолираните повърхности за хващане, ако извършвате дейности, при които сменяемият инструмент може да попадне на скрита токопроводимост. Контактът с тоководещи проводници може да постави под напрежение също и метални части на уреда и да доведе до възникване на електрически удар.
- ▶ Избягвайте допира до въртящи се части - опасност от нараняване!
- ▶ При експлоатация на продукта носете защита за очите, защитна каска, антифони и подходяща дихателна защита.
- ▶ При смяната на инструменти носете защитни ръкавици. Допирът до сменяемия инструмент може да доведе до порезни рани и изгаряния.
- ▶ Използвайте защита за очите. Отломките от материала могат да наранят тялото и очите.
- ▶ При шлайфане, обработване с шкурка, рязане и пробиване се образува прах, който може да съдържа опасни химикали. Някои примери са: олово или боя, базирана на олово; тухли, бетон и други продукти за зидария, естествен камък и други силикатосъдържащи продукти; определени дървета, като дъб, бук и химически обработена дървесина; азбест или азбестосъдържащи материали. Определете експозицията на оператора и страничните наблюдатели според класа на опасност на материалите, върху които се работи. Вземете необходимите мерки, за да поддържате експозицията на безопасно ниво, като напр. използване на система за събиране на прах или носене на подходяща дихателна защита. Общите мерки за намаляване на експозицията включват:
 - ▶ Работете в добре проветриво помещение,
 - ▶ Избягвайте продължителен контакт с прах,
 - ▶ Почиствайте праха от лицето и тялото,
 - ▶ Носете защитно облекло и измивайте откритите места с вода и със сапун.
- ▶ Правете често работни паузи и упражнения за подобряване на кръвообращението в пръстите Ви. При продължителна работа вибрациите могат да предизвикат нарушения на кръвоносните съдове или нервната система в областта на пръстите, ръцете или китките.

Безопасна работа с електроинструменти

- ▶ Преди началото на работния процес проверете работната зона за скрити електрически проводници, газо- и водопроводи. Външните метални части на продукта могат да предизвикат електрически удар или експлозия, ако сте повредили електрически кабел, газо- или водопроводна тръба.

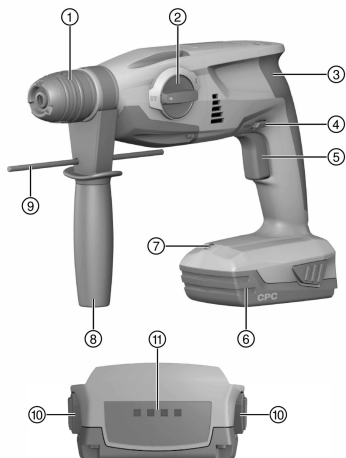
Грижливо боравене и употреба на електроинструменти

- ▶ Изключете продукта незабавно, ако сменяемият инструмент блокира. Продуктът може да се отклонява настрани.
- ▶ Преди да оставите продукта, изчакайте, докато престане да работи.



3 Описание

3.1 Преглед на продукта



- ① Патронник TE-C Click
- ② Превключвател за избор на функции
- ③ Ръкохватка
- ④ Ключ дясно/ляво въртене с блокировка срещу включване
- ⑤ Команден ключ
- ⑥ Акумулатор
- ⑦ Осветление в работната среда
- ⑧ Странична ръкохватка
- ⑨ Дълбокомер
- ⑩ Бутони за освобождаване с допълнителна функция Активиране на индикацията за състоянието на зареждане
- ⑪ Индикация за състоянието на зареждане на акумулатор

3.2 Употреба по предназначение

Описаният продукт представлява акумулаторна ударно-пробивна машина. Той е предназначен за пробиване в стомана, дърво и зидария, за ударно пробиване в бетон и зидария и за завиване и отвиване на винтове.

- За този продукт използвайте само литиево-йонните акумулатори на **Hilti** от тип B 22.
- За тези акумулатори използвайте само разрешените от **Hilti** зарядни устройства. Повече информация ще намерите във Вашия **Hilti Store** или на: www.hilti.group

3.3 Индикатор на литиево-йонния акумулатор

При използването на литиево-йонния акумулатор състоянието на зареждане може да бъде индикирано чрез натискане на един от бутоните за освобождаване.

Състояние	Значение
4 светодиода светят.	Състояние на зареждане: 75 % до 100 %
3 светодиода светят.	Състояние на зареждане: 50 % до 75 %
2 светодиода светят.	Състояние на зареждане: 25 % до 50 %
1 светодиод свети.	Състояние на зареждане: 10 % до 25 %
1 светодиод мига.	Състояние на зареждане: < 10 %

По време на работата или непосредствено след нейното спиране не е възможно отчитане на състоянието на зареждане. При мигащи светодиоди на индикацията за състоянието на зареждане на акумулатора, моля, съблюдавайте указанията в Раздел Локализиране на повреди.

3.4 Обем на доставката

ударно-пробивна машина, странична ръкохватка, дълбокомер, Ръководство за експлоатация. Праховият модул TE DRS-S се предлага като принадлежност за безпрахова работа.

Други системни продукти, разрешени за Вашия продукт, ще намерите във Вашия **Hilti Store** или на: www.hilti.group



4 Технически данни

4.1 Ударно-пробивна машина

	TE 2-A22
Номинално напрежение	21,6 В
Тегло съгласно EPTA Procedure 01 включително акумулатор B228.0	3,3 кг
Диапазон на пробиване в бетон/зидария (ударно пробиване)	4 мм ... 16 мм
Диапазон на пробиване в метал (плътно свредло)	0 мм ... 10 мм
Максимална дължина на дълбокомер	180 мм

4.2 Информация за шума и стойности на вибрациите съгласно EN 62841

Посочените в настоящите инструкции стойности на звуковото налягане и на вибрациите са били измерени в съответствие със стандартизиран метод на измерване и могат да бъдат използвани при сравняването на електроинструменти помежду им. Те са подходящи и за предварителна оценка на натоварването от трептения.

Посочените данни представят основните приложения на електроинструмента. Ако обаче електроинструментът се използва за други приложения, с различни сменяеми инструменти или при недостатъчна поддръжка, в данните може да се появят отклонения. Това може значително да повиши натоварването от трептения през целия период на експлоатация.

За точна преценка на натоварването от трептения трябва да се вземат предвид и периодите, в които електроинструментът е изключен или работи, но не е в реална експлоатация. Това може значително да намали натоварването от трептения през целия период на експлоатация.

Определете допълнителни мерки за безопасност с цел защита на работещия срещу въздействието на звука и/или вибрациите, като например: поддръжка на електроинструмент и сменяеми инструменти, поддържане на топли ръце, организация на работните процеси.

Информация за шума

Ниво на звукова мощност (L_{WA})	103 дБ(A)
Емисионно ниво на звуково налягане (L_{pA})	92 дБ(A)
Отклонение (звукови стойности) (K_{pA} и K_{WA})	3 дБ(A)

Общи стойности на вибрациите

Пробиване в метал ($a_{h, v}$)	B 22/2.6 Li-Ion (01)	2,5 м/с ²
Ударно пробиване в бетон ($a_{h, HD}$)	B 22/2.6 Li-Ion (01)	12,7 м/с ²
Отклонение (общии стойности на вибрациите)		1,5 м/с ²

4.3 Акумулатор

Работно напрежение на акумулатора	21,6 В
Температура на околната среда при работа	-17 °C ... 60 °C
Температура на съхранение	-20 °C ... 40 °C
Температура на акумулатора в началото на зареждането	-10 °C ... 45 °C

5 Експлоатация

5.1 Подготовка на работата

ПРЕДУПРЕЖДЕНИЕ

Опасност от нараняване поради неволно включване!

- ▶ Преди поставянето на акумулатора се уверете, че съответният продукт е изключен.
- ▶ Отстранявайте акумулатора, преди да въвеждате настройки по уреда или да подмените принадлежности.



Съблюдавайте указанията за безопасност и предупреждение в настоящата документация и върху продукта.

5.1.1 Монтаж на странична ръкохватка 4

1. Завъртете дръжката, за да освободите държача (обтягащата лента) на страничната ръкохватка.
2. Плъзнете държача (обтягащата лента) отпред през патронника до предвидения за целта жлеб.
3. Позиционирайте страничната ръкохватка в желаното положение.
4. Завъртете дръжката, за да затегнете държача (обтягащата лента) на страничната ръкохватка.

5.1.2 Поставяне на акумулатор 2

1. Поставете акумулатора в държача на уреда, докато се застопори с ясно щракване.
2. Контролирайте стабилното положение на акумулатора.

5.1.3 Отстраняване на акумулатор 3

1. Натиснете бутоните за деблокиране на акумулатора.
2. Извадете акумулатора в посока назад.

5.1.4 Поставяне на сменяем инструмент 5

1. Смажете леко опашката за захващане на сменяемия инструмент.
 - ▶ Използвайте само оригинална смазка на Hilti. Неправилната смазка може да причини повреди по уреда.
2. Плъзнете сменяемия инструмент докрай в патронника до ограничителя, докато се застопори.
3. След като поставите инструмента, дръпнете същия, за да проверите безопасното му застопоряване.
 - ▶ Продуктът е в готовност за работа.

5.1.5 Изваждане на сменяем инструмент 6

ПРЕДПАЗЛИВОСТ

Опасност от нараняване със сменяем инструмент! Сменяемият инструмент може да бъде горещ или да има остри ръбове.

- ▶ Носете защитни ръкавици при подмяната на сменяемия инструмент.

- ▶ Издърпайте обратно до крайна позиция блокировката на инструмента и извадете сменяемия инструмент.

5.1.6 Монтаж на дълбокомер (опционално) 7

1. Завъртете дръжката, за да освободите държача (обтягащата лента) на страничната ръкохватка.
2. Плъзнете дълбокомера отпред в предвидените за целта 2 направляващи отвора.
3. Завъртете дръжката, за да затегнете държача (обтягащата лента) на страничната ръкохватка.

5.2 Работа

ПРЕДПАЗЛИВОСТ

Опасност от повреда поради погрешно боравене!

- ▶ По време на експлоатация не задействайте бутона за посока на въртене и/или избор на функции.

Съблюдавайте указанията за безопасност и предупреждение в настоящата документация и върху продукта.

5.2.1 Осветление на работното място



Светодиодът се активира автоматично при задействане на командния ключ. След освобождаване на командния ключ светодиодът бавно изгасва.

- ▶ Натиснете командния ключ.

5.2.2 Посока на въртене

- ▶ Настройте посоката на въртене.
 - ▶ Превключвателят се застопорява в това положение.



5.2.3 Безударно пробиване

- ▶ Поставете превключвателя за избор на функции върху този символ:

5.2.4 Пробиване с удар

- ▶ Поставете превключвателя за избор на функции върху този символ:

6 Обслужване и поддръжка

6.1 Обслужване и поддръжка

ПРЕДУПРЕЖДЕНИЕ

Опасност от нараняване при поставен акумулатор !

- ▶ Винаги изваждайте акумулатора преди всяка дейност по обслужване и поддръжка!

Грижи за продукта

- Отстранявайте внимателно упоритите замърсявания.
- Ако има вентилационни отвори, почиствайте същите внимателно със суха, мека четка.
- Почиствайте корпуса само с леко навлажнена кърпа. Не използвайте почистващи препарати, съдържащи силикон, тъй като те могат да увредят пластмасовите части.
- Използвайте чиста, суха кърпа за почистване, за да избършете контактите на продукта.

Грижи за литиево-йонни акумулатори

- Никога не използвайте акумулатор със запушени вентилационни отвори. Почиствайте вентилационните отвори внимателно със суха, мека четка.
- Избягвайте ненужното излагане на акумулатора на прах или замърсявания. Никога не излагайте акумулатора на висока влажност (напр. потопен във вода или оставен под дъжда). Ако акумулаторът е бил напоен с вода, третирайте го като повреден акумулатор. Изолирайте го в незапалим контейнер и се обърнете към сервиз на **Hilti**.
- Поддържайте акумулатора почистен от масла и смазки. Не позволявайте по акумулатора да се натрупват ненужно прах или замърсявания. Избърсвайте акумулатора със суха, мека четка или с чиста, суха кърпа за почистване. Не използвайте почистващи препарати, съдържащи силикон, тъй като те могат да увредят пластмасовите части.
Не се допирайте до контактите на акумулатора и не отстранявайте фабрично нанесената грес от контактите.
- Почиствайте корпуса само с леко навлажнена кърпа. Не използвайте почистващи препарати, съдържащи силикон, тъй като те могат да увредят пластмасовите части.

Поддръжка

- Проверявайте редовно всички видими части за наличие на повреди, а елементите за управление - за изправно функциониране.
- Не работете с продукта при наличие на повреди и/или смущения във функциите. Предайте продукта незабавно в сервиз на **Hilti** за ремонт.
- След извършване на дейности по обслужване и поддръжка монтирайте всички защитни устройства и проверете за изправното им функциониране.



За безопасна работа използвайте само оригинални резервни части и консумативи. Разрешените от **Hilti** резервни части, консумативи и принадлежности за Вашия продукт ще намерите във Вашия **Hilti Store** или на: www.hilti.group

6.2 Почистване на прахозащитната капачка

- ▶ Почиствайте редовно прахозащитната капачка на патронника с чиста и суха кърпа.
- ▶ Забърсвайте внимателно уплътнението и го смазвайте леко отново със смазка на **Hilti**.
- ▶ Ако уплътнението е повредено, на всяка цена подменете прахозащитната капачка.



7.1 Транспортиране и съхранение на акумулаторни инструменти и акумулатори

Транспорт

ПРЕДПАЗЛИВОСТ

Неволно включване при транспортиране !

- ▶ Винаги транспортирайте Вашите продукти без поставени акумулатори!
- ▶ Извадете акумулатора/ите.
- ▶ Никога не транспортирайте акумулаторите в насипно състояние. При транспортиране акумулаторите трябва да бъдат защитени от прекомерни удари и вибрации и изолирани от всякакви проводящи материали или други акумулатори, за да не се осъществи контакт с други полюси на батерии и да се избегне късо съединение. **Спазвайте местните транспортни наредби за акумулатори.**
- ▶ Акумулаторите не трябва да се изпращат по пощата. Свържете се със следителска фирма, ако искате да изпращате повредени акумулатори.
- ▶ Преди всяка употреба проверявайте продукта и акумулаторите за наличие на повреди, също преди и след продължително транспортиране.

Съхранение

ПРЕДУПРЕЖДЕНИЕ

Неволна повреда, дължаща се на дефектни или изтичащи акумулатори !

- ▶ Винаги съхранявайте Вашите продукти без поставени акумулатори!
- ▶ Съхранявайте продукта и акумулаторите на хладно и сухо място. Съблюдавайте температурните гранични стойности, посочени в техническата спецификация.
- ▶ Не съхранявайте акумулатори в зарядното устройство. След зареждане винаги изваждайте акумулатора от зарядното устройство.
- ▶ Никога на съхранявайте акумулатори на слънце, върху източници на топлина или зад стъкло.
- ▶ Съхранявайте продукта и акумулаторите извън досега на деца и неоторизирани лица.
- ▶ Преди всяка употреба проверявайте продукта и акумулаторите за наличие на повреди, също преди и след продължително съхранение.

8 Локализиране на повреди

8.1 Помощ при наличие на смущения

При наличие на смущения, които не са посочени в таблицата или които Вие сами не можете да отстраните, моля, обърнете се към нашия сервиз на **Hilti**.



8.2 Ударно-пробивната машина не е в готовност за работа

Смущение	Възможна причина	Решение
Ударно-пробивната машина не се включва.	Ударно-пробивната машина е претоварена.	▶ Изключете ударно-пробивната машина, извадете акумулатора и повече не използвайте ударно-пробивната машина.
Светодиодите не дават индикация.	Акумулаторът не е сменен изцяло.	▶ Застопорете акумулатора с двойно щракване.
	Разреждане на акумулатор.	▶ Сменете акумулатора и заредете изтощения акумулатор.
1 светодиод мига.	Акумулаторът е твърде горещ или твърде студен.	▶ Темперирайте акумулатора до препоръчаната работна температура.
	Разреждане на акумулатор.	▶ Сменете акумулатора и заредете изтощения акумулатор.
	Акумулаторът е твърде горещ или твърде студен.	▶ Темперирайте акумулатора до препоръчаната работна температура.




Смущение	Възможна причина	Решение
4 светодиода мигат.	Ударно-пробивната машина търпи кратковременно претоварване.	► Освободете командния ключ и го задействайте отново.
	Защита от прегряване.	► Оставете ударно-пробивната машина да се охлади и почистете вентилационния отвор.

8.3 Ударно-пробивната машина е в готовност за работа

Смущение	Възможна причина	Решение
Няма удар.	Ударно-пробивната машина е твърде гореща.	► Поставете ударно-пробивната машина върху основата и я оставете да работи на празен ход. При нужда повторете действието, докато ударният механизъм сработи.
	Превключвателят за избор на функции е на позиция "Безударно пробиване"  .	► Поставете превключвателя за избор на функции на позиция "Ударно пробиване"  .
Командният ключ не може да се натисне, респ. е блокиран.	Ключ дясно/ляво въртене е в средно положение.	► Натиснете ключа дясно/ляво въртене в посока надясно или наляво.
Шпинделът на уреда не се върти.	Превисена е допустимата температура в работен режим на електрониката на ударно-пробивната машина.	► Оставете ударно-пробивната машина да се охлади.
	Разреждане на акумулатор.	► Сменете акумулатора и заредете изтощения акумулатор.
Ударно-пробивната машина се изключва автоматично.	Защитата срещу претоварване се задейства.	► Освободете командния ключ. Оставете ударно-пробивната машина да се охлади. Задействайте отново командния ключ. Намалете натоварването на уреда.
Акумулаторът се изтощава по-бързо от обикновено.	Състоянието на акумулатора не е оптимално.	► Освежете акумулатора.
Акумулаторът не се застопорява с ясно "двойно щракване".	Фиксиращите планки на акумулатора са замърсени.	► Почистете фиксиращите планки и поставете отново акумулатора.
Силно нагорещяване на ударно-пробивната машина или акумулатора.	Електрическа повреда	► Изключете незабавно ударно-пробивната машина. Отстранете акумулатора и го наблюдавайте. Оставете го да се охлади. Свържете се със сервиз на Hilti .
	Ударно-пробивната машина е претоварена (премината граница на приложение).	► Изберете подходящия за приложение уред.
Инструментът не може да се извади от фиксатора.	Патронникът не е издърпан до край.	► Издърпайте блокировката на инструмента докрай до ограничителя и извадете инструмента.
Инструментът не се сваля.	Ударно-пробивната машина е включена в позиция въртене наляво.	► Поставете ключа дясно/ляво въртене на позиция въртене надясно.



9 Третиране на отпадъци

Уредите на  са произведени в по-голямата си част от материали за многократна употреба. Предпоставка за многократното им използване е тяхното правилно разделяне. В много страни фирмата **Hilti** изкупува обратно Вашите употребявани уреди. Попитайте отдела на **Hilti** за обслужване на клиенти или Вашия търговски представител.



- ▶ Не изхвърляйте електроинструменти, електронни устройства и акумулатори в битовите отпадъци!

10 Гаранция на производителя

- ▶ При въпроси относно гаранционните условия, моля, обърнете се към Вашия местен **Hilti** партньор.

Manual de utilizare original**1 Date referitoare la manual de utilizare****1.1 Referitor la acest manual de utilizare**

- Citiți complet acest manual de utilizare înainte de punerea în funcțiune. Aceasta este condiția necesară pentru un lucru în siguranță și pentru o manevrare fără defecțiuni.
- Aveți în vedere indicațiile de securitate și de avertizare din acest manual de utilizare și de pe produs.
- Păstrați întotdeauna manualul de utilizare în preajma produsului și transmiteți produsul altor persoane numai împreună cu acest manual de utilizare.

1.2 Explicarea simbolurilor**1.2.1 Indicații de avertizare**

Indicațiile de avertizare avertizează împotriva pericolelor care apar în lucrul cu produsul. Sunt utilizate următoarele cuvinte-semnal:

 **PERICOL**
PERICOL !

- ▶ Pentru un pericol iminent și direct, care duce la vătămări corporale sau la accidente mortale.

 **ATENȚIONARE**
ATENȚIONARE !






- ▶ Pentru un pericol iminent și posibil, care poate duce la vătămări corporale sau la accidente mortale.

 **AVERTISMENT**
AVERTISMENT !

- ▶ Pentru o situație potențial periculoasă, care poate duce la vătămări corporale sau pagube materiale.

1.2.2 Simboluri în manualul de utilizare

În acest manual de utilizare sunt utilizate următoarele simboluri:

	Respectați manualul de utilizare
	Indicații de folosire și alte informații utile
	Lucrul cu materiale reutilizabile
	Nu aruncați aparatele electrice și acumulatorii în containerele de gunoi menajer
	Hilti Acumulator Li-Ion



1.2.3 Simboluri în imagini

Următoarele simboluri sunt utilizate în imagini:

2	Acest numere fac trimitere la figura respectivă de la începutul acestui manual de utilizare.
3	Numerotarea din imagini atrage atenția asupra etapelor de lucru importante sau asupra componentelor importante pentru etapele de lucru. Aceste etape de lucru sau componente sunt evidențiate în text cu numărul corespunzător, de ex. (3).
11	Numerele pozițiilor sunt utilizate în figura Vedere generală și fac trimitere la numerele din legendă în paragraful Vedere generală a produsului .
	Acest semn are rolul de a stimula o atenție deosebită din partea dumneavoastră în lucrul cu produsul.

1.3 Simboluri în funcție de produs

1.3.1 Simboluri pe produs

Pe produs pot fi utilizate următoarele simboluri:

	Găurire fără percuție
	Găurire cu percuție (perforare cu ciocanul)
	Rotația spre dreapta/stânga
n_0	Turația nominală de mers în gol
/min	rotații pe minut
	Curent continuu
Li-Ion	Acumulator Li-Ion
	Seria de tip a acumulatorului Li-Ion Hilti utilizat. Rugăm aveți în vedere datele din capitolul Utilizarea conformă cu destinația .
	Nu folosiți niciodată acumulatorul ca unealtă percutoare.
	Nu lăsați acumulatorul să cadă. Nu utilizați niciun acumulator care a suferit o lovitură sau este deteriorat într-un alt mod.
	Aparatul este compatibil cu tehnologia NFC, care este compatibilă la rândul ei cu platformele iOS și Android.

1.4 Informații despre produs

Produsele sunt destinate utilizatorilor profesioniști, iar operarea cu acestea, întreținerea și repararea lor sunt activități permise numai personalului autorizat și instruit. Acest personal trebuie să fie instruit în mod special cu privire la potențialele pericole. Produsul și mijloacele sale auxiliare pot genera pericole dacă sunt utilizate necorespunzător sau folosite inadecvat destinației de către personal neinstruit. Indicativul de model și numărul de serie sunt indicate pe plăcuța de identificare.

- ▶ Transcrieți numărul de serie în tabelul următor. Datele despre produs vă sunt necesare în cazul solicitărilor de informații la reprezentanța noastră sau la centrul de service.

Date despre produs

Tip:	TE 2-A22
Generația:	02
Număr de serie:	



1.5 Declarație de conformitate

Declarăm pe propria răspundere că produsul descris aici este conform cu directivele și normele în vigoare. O imagine a declarației de conformitate găsiți la finalul acestei documentații.

Documentațiile tehnice sunt stocate aici:

Hilti Entwicklungsgesellschaft mbH | Zulassung Geräte | Hiltistraße 6 | 86916 Kaufering, DE

2 Securitate

2.1 Instrucțiuni de ordin general privind securitatea și protecția muncii pentru sculele electrice

⚠ ATENȚIONARE Consultați toate instrucțiunile de protecție a muncii, instrucțiunile de lucru, imaginile și datele tehnice cu care este prevăzută această sculă electrică. Neglijențele în respectarea următoarelor instrucțiuni pot provoca electrocutări, incendii și/ sau accidente grave.

Păstrați toate instrucțiunile de protecție a muncii și instrucțiunile de lucru pentru consultare în viitor.

Termenul de „sculă electrică” folosit în instrucțiunile de protecție a muncii se referă la sculele cu alimentare de la rețea (cu cablu de rețea) la sculele electrice cu alimentare de la acumulatori (fără cablu de rețea).

Securitatea în locul de muncă

- ▶ **Mențineți curățenia și un iluminat bun în zona de lucru.** Dezordinea sau iluminatul insuficient în zona de lucru pot constitui surse de accidente.
- ▶ **Nu lucrați cu scula electrică în medii cu pericol de explozie, în care sunt prezente lichide, gaze sau pulberi inflamabile.** Sculele electrice generează scântei care pot aprinde pulberile sau vaporii.
- ▶ **Nu permiteți accesul copiilor și al altor persoane în zona de lucru pe parcursul utilizării sculei electrice.** În cazul distragerii atenției, puteți pierde controlul asupra aparatului.

Securitatea electrică

- ▶ **Fișa de racord a sculei electrice trebuie să se potrivească cu priza de alimentare. Orice gen de modificare a fișei este interzis. Nu folosiți niciun tip de fișe adaptoare împreună cu scule electrice cu pământare de protecție.** Fișele nemodificate și prizele adecvate diminuează riscul de electrocutare.
- ▶ **Evitați contactul corpului cu suprafețele legate la pământ, cum ar fi țevile, sistemele de încălzire, plitele și frigiderele.** Există un risc major de electrocutare atunci când corpul se află în contact cu obiecte legate la pământ.
- ▶ **Feriți sculele electrice de influența ploii și umidității.** Pătrunderea apei în scula electrică crește riscul de electrocutare.
- ▶ **Nu utilizați cablul de legătură în scopuri pentru care nu este destinat, de exemplu pentru a transporta scula electrică, a suspenda scula electrică sau pentru a trage fișa din priza de alimentare.** Feriți cablul de legătură de influențele căldurii, uleiului, muchiilor ascuțite sau componentelor aflate în mișcare. Cablurile de legătură deteriorate sau înfășurate majorează riscul de electrocutare.
- ▶ **Dacă lucrați cu o sculă electrică în aer liber, utilizați numai cabluri prelungitoare care sunt adecvate și pentru folosirea în exterior.** Folosirea cablurilor prelungitoare adecvate lucrului în aer liber diminuează riscul de electrocutare.
- ▶ **Dacă punerea în exploatare a sculei electrice într-un mediu cu umiditate nu se poate evita, utilizați un întrerupător automat de protecție diferențial.** Utilizarea unui întrerupător automat de protecție diferențial diminuează riscul de electrocutare.

Securitatea persoanelor

- ▶ **Procedați cu atenție, concentrați-vă la ceea ce faceți și lucrați în mod rațional atunci când manevrați o sculă electrică. Nu folosiți nicio sculă electrică dacă sunteți obosit sau dacă vă aflați sub influența drogurilor, alcoolului sau medicamentelor.** Un moment de neatenție în folosirea sculei electrice poate duce la accidente serioase.
- ▶ **Purtați echipament personal de protecție și, întotdeauna, ochelari de protecție.** Folosirea echipamentelor personale de protecție, ca de ex. masca anti-praf, încălțăminte antiderapantă, cască de protecție sau căștile antifonice, în funcție de tipul sculei electrice și de natura aplicației de lucru, duce la diminuarea riscului de accidentare.
- ▶ **Împiedicați pornirea involuntară a aparatului. Asigurați-vă că scula electrică este deconectată, înainte de a o racorda la alimentarea electrică și/ sau la acumulator, de a o lua din locul de lucru sau de a o transporta.** Situațiile în care transportați scula electrică ținând degetul pe întrerupător sau racordați aparatul în stare pornită la alimentarea electrică pot duce la accidente.
- ▶ **Înainte de a porni scula electrică, îndepărtați uneltele de reglaj sau cheile fixe.** Un accesoriu de lucru sau o cheie fixă, aflate într-o componentă rotativă a aparatului, pot provoca vătămări corporale.



- ▶ **Evitați o poziție anormală a corpului. Asigurați-vă o poziție stabilă și păstrați-vă întotdeauna echilibrul.** În acest fel, veți putea controla mai bine scula electrică în situații neașteptate.
- ▶ **Purtați îmbrăcăminte de lucru adecvată. Nu purtați haine largi sau bijuterii. Țineți părul, îmbrăcăminte și mânușile departe de componentele aflate în mișcare.** Îmbrăcăminte largă, bijuteriile sau părul lung pot fi prinse de piesele aflate în mișcare.
- ▶ **Dacă există posibilitatea montării unor accesorii de aspirare și capture a prafului, asigurați-vă că acestea sunt racordate și folosite corect.** Utilizarea unui sistem de aspirare a prafului poate diminua pericolul provocat de praf.
- ▶ **Nu vă bazați pe măsuri de securitate greșite și nu vă dispensați de reglementările de securitate pentru sculele electrice, chiar dacă sunteți familiarizat cu scula electrică după multiple folosiri ale acesteia.** Lucrul neatent poate duce în fracțiuni de secundă la accidentări grave.

Utilizarea și manevrarea sculei electrice

- ▶ **Nu suprasolicitați aparatul. Folosiți scula electrică special destinată lucrării dumneavoastră.** Cu scula electrică adecvată, lucrați mai bine și mai sigur în domeniul de putere specificat.
- ▶ **Nu folosiți nicio sculă electrică având întrerupătorul defect.** O sculă electrică ce nu mai permite pornirea sau oprirea sa este periculoasă și trebuie reparată.
- ▶ **Scoteți fișa din priză și/ sau înlăturați acumulatorul dacă este detașabil, înainte de executarea unor reglaje la aparat, înlocuirea accesorilor sau depozitarea aparatului.** Această măsură de precauție reduce riscul unei porniri involuntare a sculei electrice.
- ▶ **Păstrați sculele electrice în locuri inaccesibile copiilor, atunci când nu le utilizați. Nu permiteți folosirea aparatului de către persoane care nu sunt familiarizate cu acesta sau care nu au citit instrucțiunile de față.** Sculele electrice sunt periculoase atunci când sunt folosite de persoane fără experiență.
- ▶ **Îngrijiți sculele electrice și accesoriile cu multă atenție. Controlați funcționarea impecabilă a componentelor mobile și verificați dacă acestea nu se blochează, dacă există piese sparte sau care prezintă deteriorări de natură să influențeze negativ funcționarea sculei electrice. Dispuneți repararea pieselor deteriorate înainte de punerea în exploatare a aparatului.** Multe accidente se produc din cauza înțreținerii defectuoase a sculelor electrice.
- ▶ **Păstrați accesoriile așchietoare bine ascuțite și curate.** Accesoriile așchietoare întreținute atent, cu muchii așchietoare bine ascuțite se blochează mai greu și pot fi conduse mai ușor.
- ▶ **Utilizați scula electrică, accesoriile, dispozitivele de lucru etc. corespunzător acestor instrucțiuni. Țineți seama de condițiile de lucru și de activitatea care urmează a fi desfășurată.** Folosirea unor scule electrice destinate altor aplicații de lucru decât cele prevăzute poate conduce la situații periculoase.
- ▶ **Mențineți mânerul și suprafețele mânerelor în stare uscată, curată, fără ulei și unsoare.** Mânerul și suprafețele mânerelor nu permit utilizarea și controlul sculei electrice în siguranță în situații neprevăzute, dacă sunt alunecoase.

Utilizarea și manevrarea sculei cu acumulatori

- ▶ **Încărcați acumulatorii numai în redresoarele recomandate de producător.** Pentru un redresor adecvat unui anumit tip de acumulatori, apare pericolul de incendiu dacă acesta este utilizat cu alți acumulatori.
- ▶ **Utilizați numai acumulatorii prevăzuți special pentru sculele electrice.** Folosirea altor acumulatori poate duce la accidentări și poate provoca pericol de incendiu.
- ▶ **Țineți acumulatorii nefolosiți la distanță de agrafele de birou, monede, chei, cuie, șuruburi sau alte obiecte metalice mici, care ar putea provoca scurtcircuitarea contactelor.** Un scurtcircuit între contactele acumulatorului poate avea ca urmări arsuri sau incendii.
- ▶ **La folosirea în mod eronat, este posibilă eliminarea de lichid din acumulatori. Evitați contactul cu acesta. În cazul contactului accidental, spălați cu apă. Dacă lichidul ajunge în ochi, solicitați suplimentar asistență medicală.** Lichidul ieșit din acumulatori poate provoca iritații ale pielii sau arsuri.
- ▶ **Nu folosiți acumulatori deteriorați sau modificați.** Acumulatorii deteriorați sau modificați se pot comporta imprevizibil și pot provoca incendii, explozii sau pericol de accidentări.
- ▶ **Nu expuneți un acumulator la foc sau la temperaturi prea ridicate.** Focul sau temperaturile de peste 130 °C (265 °F) pot provoca o explozie.
- ▶ **Urmați toate instrucțiunile de încărcare și nu încărcați niciodată acumulatorul sau unealta cu acumulator la valori situate în afara domeniului de temperatură indicat în instrucțiunile de exploatare.** Încărcarea greșită sau încărcarea la valori în afara domeniului avizat de temperatură poate distruge acumulatorul și crește pericolul de incendiu.



Service

- ▶ **Încredințați repararea sculei electrice a dumneavoastră numai personalului calificat de specialitate și numai în condițiile folosirii pieselor de schimb originale.** În acest fel, este garantată menținerea siguranței de exploatare a aparatului.
- ▶ **Nu executați niciodată lucrări de întreținere la un acumulator deteriorat.** Toate lucrările de întreținere la acumulatori se vor executa numai de către producător sau de centrele de asistență pentru clienți, împuternicite de producător.

2.2 Instrucțiuni de protecție a muncii pentru ciocan**Instrucțiuni de protecție a muncii pentru toate lucrările**

- ▶ **Purtați căști antifonice.** Efectele zgomotului pot conduce la pierderea auzului.
- ▶ **Folosiți mânerele suplimentare livrate cu mașina.** Pierderea controlului poate duce la accidentări.
- ▶ **Țineți mașina de suprafețele izolate ale mânerelor, când executați lucrări în care dispozitivul de lucru poate întâlni conductori electrici ascunși.** Contactul cu un conductor parcurs de curent poate pune sub tensiune și piesele metalice ale mașinii și poate duce la electrocutări.

Instrucțiuni de protecție a muncii în cazul utilizării unui burghiu lung

- ▶ **Începeți întotdeauna procesul de găurire cu turație scăzută și cât timp burghiul are contact cu piesa care se prelucrează.** În cazul turațiilor mai ridicate, burghiul se poate îndoi ușor dacă este posibilă rotirea liberă a lui fără contact cu piesa care se prelucrează și apare posibilitatea de producere a unor accidentări.
- ▶ **Nu exercitați o presiune excesivă și apăsați numai pe direcție longitudinală pe burghiu.** Burghiile se pot îndoi și, ca urmare, se pot rupe sau apare posibilitatea de pierdere a controlului și de producere a unor accidentări.

2.3 Instrucțiuni suplimentare de protecție a muncii pentru mașina de perforat rotopercutantă**Securitatea persoanelor**

- ▶ Folosiți produsul și accesoriile numai în stare tehnică impecabilă.
- ▶ Nu efectuați niciodată intervenții neautorizate sau modificări asupra produsului sau accesoriilor.
- ▶ Folosiți mânerele suplimentare livrate cu produsul. Pierderea controlului poate duce la accidentări.
- ▶ La execuția lucrărilor de străpungere, asigurați zona de pe partea opusă lucrării. Fragmentele demolate pot ieși și / sau cădea și pot vătăma alte persoane.
- ▶ Țineți întotdeauna ferm produsul cu ambele mâini de mânerele special prevăzute. Țineți mânerile uscate și curate.
- ▶ Țineți produsul de suprafețele izolate ale mânerelor, când executați lucrări în care dispozitivul de lucru poate întâlni conductori electrici ascunși. Contactul cu un conductor parcurs de curent poate pune sub tensiune și piesele metalice ale aparatului și poate duce la electrocutări.
- ▶ Evitați atingerea pieselor în rotație - pericol de accidentare!
- ▶ Pe parcursul utilizării produsului, purtați apăratoare pentru ochi, cască de protecție, căști antifonice și o mască de protecție respiratorie adecvată.
- ▶ Purtați mănuși de protecție la schimbarea accesoriilor de lucru. Atingerea dispozitivului de lucru poate duce la vătămări prin tăiere și arsuri.
- ▶ Utilizați o apăratoare pentru ochi. Materialul sub formă de așchii poate produce vătămări ale corpului și ochilor.
- ▶ Praful format în lucrările de șlefuire, șmirgheluire, tăiere și găurire poate conține substanțe chimice periculoase. Câteva exemple sunt: Plumb sau vopsele pe bază de plumb; Cărmidă, beton și alte produse de zidărie, piatră naturală și alte produse care conțin siliciu; Anumite tipuri de lemn, cum sunt stejarul, fagul și lemnul tratat chimic; Azbest sau materiale care conțin azbest. Determinați expunerea operatorului și persoanelor din preajmă prin clasa de pericolozitate a materialelor la care se lucrează. Întreprindeți măsurile necesare pentru a menține valorile de expunerea la un nivel sigur, ca de ex. utilizarea unui sistem de colectare a prafului sau purtarea unei măști de protecție respiratorie adecvate. Din măsurile generale pentru diminuarea expunerii fac parte:
 - ▶ Lucrul într-un spațiu bine aerisit,
 - ▶ Evitarea contactului îndelungat cu praful,
 - ▶ Devierea prafului din zona feței și corpului,
 - ▶ Purtarea îmbrăcăminții de protecție și spălarea zonelor expuse cu apă și săpun.



- ▶ Faceți frecvent pauze și exerciții pentru îmbunătățirea circulației sanguine în degetele dumneavoastră. În cazul lucrărilor lungi, din cauza vibrațiilor intense sunt posibile tulburări la nivelul vaselor sanguine sau al sistemului nervos în degete, mâini sau articulațiile mâinilor.

Securitatea electrică

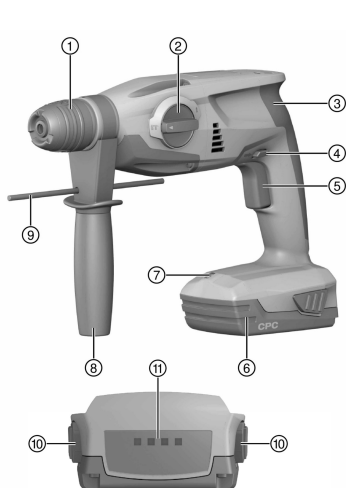
- ▶ Verificați înainte de începerea lucrului dacă în zona de lucru există conductori electrici, conducte de gaz și țevi de apă acoperite. Piesele metalice aflate în contact exterior cu produsul pot cauza o electrocutare sau o explozie, dacă deteriorați un conductor electric, o conductă de gaz sau o țevă de apă.

Manevrarea și folosirea cu precauție a sculelor electrice

- ▶ Deconectați produsul imediat dacă dispozitivul de lucru s-a blocat. Produsul poate devia în lateral.
- ▶ Așteptați până când produsul a ajuns în stare de repaus, înainte de a-l depune.

3 Descriere

3.1 Vedere generală a produsului



- ① Mandrina TE-C Click
- ② Selector de funcții
- ③ Mâner
- ④ Inversor pentru rotație dreapta/ stânga cu siguranță împotriva conectării
- ⑤ Comutator de comandă
- ⑥ Acumulator
- ⑦ Lampă pentru iluminarea spațiului de lucru
- ⑧ Mâner lateral
- ⑨ Limitator de adâncime
- ⑩ Taste pentru deblocare cu funcția auxiliară
- ⑪ Activarea indicatorului stării de încărcare
- Indicatorul stării de încărcare a acumulatorului

3.2 Utilizarea conformă cu destinația

Produsul descris este o mașină de perforat rotopercutantă cu alimentare de la acumulatori. El este destinat găuririi în oțel, lemn și zidărie, găuririi cu percuție în beton și zidărie și introducerii prin rotație și desfacerii de șuruburi.

- Utilizați pentru acest produs numai acumulatori Li-Ion **Hilti** din seria de tip B 22.
- Utilizați pentru acești acumulatori numai redresoare avizate de **Hilti**. Informații suplimentare găsiți la centrul dumneavoastră **Hilti Store** sau la: www.hilti.group

3.3 Indicatorul acumulatorului Li-Ion

La folosirea acumulatorului Li-Ion, starea de încărcare poate fi indicată prin atingerea uneia dintre tastele pentru deblocare.

Starea	Semnificație
4 LED-uri aprinse.	Starea de încărcare: 75 % până la 100 %
3 LED-uri aprinse.	Starea de încărcare: 50 % până la 75 %
2 LED-uri aprinse.	Starea de încărcare: 25 % până la 50 %
1 LED aprins.	Starea de încărcare: 10 % până la 25 %
1 LED se aprinde intermitent.	Starea de încărcare: < 10 %



Pe parcursul lucrului și în intervalul imediat următor, apelarea stării de încărcare nu este posibilă. Dacă LED-urile indicatorului stării de încărcare a acumulatorului se aprind intermitent, vă rugăm să consultați indicațiile din capitolul Identificarea defecțiunilor.

3.4 Setul de livrare

Mașină de perforat rotopercutantă, mâner lateral, limitator de adâncime, manual de utilizare.

Modulul antipraf TE DRS-S este oferit ca accesoriu pentru lucrări cu producere redusă de praf.

Alte produse din sistem, avizate pentru produsul dumneavoastră, găsiți la centrul dumneavoastră **Hilti Store** sau la: www.hilti.group

4 Date tehnice

4.1 Mașina de perforat rotopercutantă

	TE 2-A22
Tensiunea nominală	21,6 V
Greutate conform EPTA Procedure 01 inclusiv acumulator B228.0	3,3 kg
Domeniul de găurire în beton/ zid (găurire cu percuție)	4 mm ... 16 mm
Domeniul de găurire în metal (găurire cu secțiune plină)	0 mm ... 10 mm
Lungime maximă limitator de adâncime	180 mm

4.2 Datele privind zgomotul și valorile vibrațiilor conform EN 62841

Valorile presiunii acustice și ale vibrațiilor indicate în aceste instrucțiuni au fost măsurate corespunzător unui procedeu standardizat de măsură și pot fi utilizate pentru compararea reciprocă a sculelor electrice. Ele sunt adecvate și pentru o apreciere provizorie a valorilor de expunere.

Datele indicate se referă la aplicațiile principale de lucru ale sculei electrice. Firește că, dacă scula electrică este utilizată pentru alte aplicații de lucru cu dispozitive de lucru neprevăzute sau cu o întreținere insuficientă, datele pot să difere. Acest lucru poate ridica în mod considerabil valorile de expunere pe întreaga durată de lucru.

Pentru o apreciere exactă a valorilor de expunere, trebuie să se ia în calcul și timpii în care scula electrică este deconectată sau în care ea funcționează, dar nu execută efectiv nicio activitate. Acest lucru poate reduce în mod considerabil valorile de expunere pe întreaga durată de lucru.

Stabiliți măsuri de securitate suplimentare pentru protecția operatorului față de efectele sonore și ale vibrațiilor, ca de exemplu: întreținerea sculei electrice și a dispozitivelor de lucru, menținerea mâinilor în stare caldă, organizarea proceselor de lucru.

Datele privind zgomotul

Nivelul puterii acustice (L_{WA})	103 dB(A)
Nivelul presiunii acustice emise (L_{pA})	92 dB(A)
Insecuritatea (valori sonore) (K_{pA} și K_{WA})	3 dB(A)

Valori totale ale vibrațiilor

Găurire în metal ($a_{h,D}$)	B 22/2.6 Li-Ion (01)	2,5 m/s ²
Găurire cu percuție în beton ($a_{h,HD}$)	B 22/2.6 Li-Ion (01)	12,7 m/s ²
Insecuritatea (valori totale ale vibrațiilor)		1,5 m/s ²

4.3 Acumulator

Tensiunea de lucru a acumulatorului	21,6 V
Temperatura ambiantă în timpul funcționării	-17 °C ... 60 °C
Temperatura de depozitare	-20 °C ... 40 °C
Temperatura acumulatorului la începutul încărcării	-10 °C ... 45 °C



5 Modul de utilizare

5.1 Pregătirea lucrului

ATENȚIONARE

Pericol de accidentare Prin pornirea involuntară!

- ▶ Înainte de introducerea acumulatorului, asigurați-vă că produsul aferent este deconectat.
- ▶ Înlăturați acumulatorul înainte de a realiza reglaje la mașină sau de a schimba accesorii.

Aveți în vedere indicațiile de securitate și de avertizare din această documentație și de pe produs.

5.1.1 Montarea mânerului lateral

1. Rotiți de mâner, pentru a desface suportul de susținere (banda de întindere) de la mânerul lateral.
2. Introduceți prin glisare suportul de susținere (banda de întindere) din față peste mandrină, până la canelura prevăzută special.
3. Poziționați mânerul lateral în poziția dorită.
4. Rotiți de mâner, pentru a tensiona suportul de susținere (banda de întindere) de la mânerul lateral.

5.1.2 Introducerea acumulatorului

1. Introduceți acumulatorul în suportul mașinii, până când acesta se înclichetează cu zgomotul caracteristic.
2. Controlați stabilitatea acumulatorului.

5.1.3 Îndepărtarea acumulatorului

1. Apăsați tastele de deblocare a acumulatorului.
2. Trageți acumulatorul afară spre spate.

5.1.4 Introducerea dispozitivului de lucru

1. Gresăți cu puțină unsoare coada de fixare a dispozitivului de lucru.
 - ▶ Utilizați numai unsoare originală de la Hilti. Un unsoare greșită poate cauza deteriorări la mașină.
2. Introduceți dispozitivul de lucru până la opritor în mandrină și lăsați-l să se cupleze.
3. După introducere, verificați închiderea sigură prin tragere de accesoriu de lucru.
 - ▶ Produsul este pregătit de funcționare.

5.1.5 Extragerea dispozitivului de lucru

AVERTISMENT

Pericol de accidentare cu dispozitivul de lucru! Dispozitivul de lucru poate fi fierbinte sau ascuțit.

- ▶ Purtați mănuși de protecție la schimbarea dispozitivului de lucru.
- ▶ Trageți înapoi închizătorul mandrinei până la opritor și extrageți dispozitivul de lucru.

5.1.6 Montarea limitatorului de adâncime (opțional)

1. Rotiți de mâner, pentru a desface suportul de susținere (banda de întindere) de la mânerul lateral.
2. Introduceți prin glisare limitatorul de adâncime din față în cele două 2 orificii de ghidaj prevăzute special.
3. Rotiți de mâner, pentru a tensiona suportul de susținere (banda de întindere) de la mânerul lateral.

5.2 Lucrări

AVERTISMENT

Pericol de deteriorare Prin manevrare greșită!

- ▶ Nu acționați comutatorul pentru sensul de rotație și/ sau selecția unei funcții pe parcursul funcționării.

Aveți în vedere indicațiile de securitate și de avertizare din această documentație și de pe produs.

5.2.1 Iluminarea locului de muncă



LED-ul este activat automat la acționarea comutatorului de comandă. După eliberarea comutatorului de comandă, LED-ul se stinge lent.




- ▶ Apăsăți comutatorul de comandă.


5.2.2 Sens de rotație

- ▶ Reglați sensul de rotație.
 - ▶ Comutatorul se fixează în această poziție.

5.2.3 Găurire fără percuție

- ▶ Fixați selectorul de funcții pe acest simbol: .

5.2.4 Găurire cu percuție

- ▶ Fixați selectorul de funcții pe acest simbol: .

6 Îngrijirea și întreținerea

6.1 Îngrijirea și întreținerea

ATENȚIONARE

Pericol de accidentare când acumulatorul este introdus !

- ▶ Înaintea tuturor lucrărilor de îngrijire și întreținere, extrageți întotdeauna acumulatorul!

Îngrijirea produsului

- Îndepărtați cu precauție murdăria aderentă.
- Dacă există, curățați cu precauție fantele de aerisire, folosind o perie uscată și moale.
- Curățați carcasa numai cu o cârpă ușor umezită. Nu utilizați produse de îngrijire care conțin silicon, deoarece acestea pot ataca piesele din plastic.
- Utilizați o cârpă curată și uscată, pentru a curăța contactele produsului.

Îngrijirea acumulatorilor Li-Ion

- Nu utilizați niciodată un acumulator cu fantele de aerisire astupate. Curățați fantele de aerisire cu multă atenție, folosind o perie uscată și moale.
- Evitați expunerea inutilă a acumulatorului la praf sau murdărie. Nu expuneți niciodată acumulatorul la umiditate ridicată (de ex. prin scufundare în apă sau lăsarea lui în ploaie). Dacă un acumulator este pătruns de umiditate, tratați-l ca pe un acumulator deteriorat. Izolați-l într-un recipient neinflamabil și adresați-vă centrului de service **Hilti**.
- Păstrați acumulatorul fără urme de ulei și unsoare de altă proveniență. Nu permiteți ca praful sau murdăria să se acumuleze inutil pe acumulator. Curățați acumulatorul cu o perie uscată și moale sau cu o cârpă curată și uscată. Nu utilizați produse de îngrijire care conțin silicon, deoarece acestea pot ataca piesele din plastic.
Nu atingeți contactele acumulatorului și nu îndepărtați unsoarea aplicată din fabricație de pe contacte.
- Curățați carcasa numai cu o cârpă ușor umezită. Nu utilizați produse de îngrijire care conțin silicon, deoarece acestea pot ataca piesele din plastic.

Întreținerea

- Verificați regulat la toate piesele vizibile dacă există deteriorări și funcționarea impecabilă a elementelor de comandă.
- În caz de deteriorări și/ sau disfuncționalități, nu puneți produsul în exploatare. Dispuneți urgent repararea produsului la centrul de service de la **Hilti**.
- După lucrările de îngrijire și întreținere, atașați toate dispozitivele de protecție și verificați funcționarea impecabilă a acestora.



Pentru o exploatare sigură utilizați numai piese de schimb și materiale consumabile originale. Piese de schimb, materiale consumabile și accesorii avizate de **Hilti** pentru produs găsiți la centrul dumneavoastră **Hilti Store** sau la: www.hilti.group

6.2 Curățarea căpăcelului de protecție anti-praf

- ▶ Curățați regulat căpăcelul de protecție anti-praf de la mandrină cu o cârpă curată și uscată.
- ▶ Curățați gulerul de etanșare prin ștergere atentă și ungeți-l din nou cu puțină unsoare **Hilti**.
- ▶ Înlocuiți neapărat căpăcelul de protecție anti-praf dacă gulerul de etanșare este deteriorat.



7 Transportul și depozitarea

7.1 Transportul și depozitarea accesoriilor de lucru cu acumulator și a acumulatorilor

Transportul

AVERTISMENT

Polnire involuntară la transport !

- ▶ Transportați întotdeauna produsele dumneavoastră fără acumulatori introduși!
- ▶ Extrageți acumulatorul/ acumulatorii.
- ▶ Nu transportați niciodată acumulatorii în vrac. Pe parcursul transportului, acumulatorii trebuie protejați împotriva șocurilor și vibrațiilor excesive și izolați de orice materiale conductoare electric sau de alți acumulator, astfel încât să nu ajungă în contact cu alte borne de baterie și să cauzeze un scurtcircuit. **Aveți în vedere prescripțiile de transport locale, valabile pentru acumulatori în zona dumneavoastră.**
- ▶ Trimiterea acumulatorilor prin poștă nu este permisă. Adresați-vă unei companii de expedieri dacă doriți să trimiteți acumulatori nedeteriorați.
- ▶ Controlați înainte de fiecare utilizare, precum și înaintea unui transport lung și după acesta, dacă produsul și acumulatorii prezintă deteriorări.

Depozitarea

ATENȚIONARE

Deteriorare involuntară cauzată de acumulatori defecți sau din care iese lichid !

- ▶ Depozitați întotdeauna produsele dumneavoastră fără acumulatori introduși!
- ▶ Depozitați produsul și acumulatorii în spații răcoase și uscate. Aveți în vedere valorile limită de temperatură, indicate în Date tehnice.
- ▶ Nu păstrați acumulatorii în redresor. Scoateți întotdeauna acumulatorul de la redresor după procesul de încărcare.
- ▶ Nu depozitați niciodată acumulatorii în soare, pe surse de căldură sau în spatele geamurilor de sticlă.
- ▶ Depozitați produsul și acumulatorii în spații inaccesibile pentru copii și pentru persoanele neautorizate.
- ▶ Controlați înainte de fiecare utilizare, precum și înaintea unei depozitări lungi și după aceasta, dacă produsul și acumulatorii prezintă deteriorări.

8 Identificarea defecțiunilor

8.1 Asistență în caz de avarii

În cazul avariilor care nu sunt prezentate în acest tabel sau pe care nu le puteți remedia prin mijloace proprii, vă rugăm să vă adresați centrul nostru de service **Hilti**.



8.2 Mașina de perforat rotopercutantă nu este funcțională

Avarie	Cauza posibilă	Soluție
Mașina de perforat rotopercutantă nu pornește.	Mașina de perforat rotopercutantă suprasolicitată.	▶ Deconectați mașina de perforat rotopercutantă, înlăturați acumulatorul și nu mai folosiți mașina de perforat rotopercutantă.
LED-urile nu indică nimic.	Acumulatorul nu este complet introdus.	▶ Fixați acumulatorul cu un dublu clic.
	Acumulatorul descărcat.	▶ Schimbați acumulatorul și încărcați acumulatorul gol.
	Acumulatorul prea fierbinte sau prea rece.	▶ Aduceți acumulatorul la temperatura de lucru recomandată.
1 LED se aprinde intermitent.	Acumulatorul descărcat.	▶ Schimbați acumulatorul și încărcați acumulatorul gol.
	Acumulatorul prea fierbinte sau prea rece.	▶ Aduceți acumulatorul la temperatura de lucru recomandată.



Avarie	Cauza posibilă	Soluție
4 LED-uri se aprind intermitent.	Mașina de perforat rotopercutantă suprasolicitată pe o durată scurtă.	▶ Eliberați comutatorul de comandă și acționați-l din nou.
	Protecția la supraîncălzire.	▶ Lăsați mașina de perforat rotopercutantă să se răcească și curățați fantele de aerisire.

8.3 Mașina de perforat rotopercutantă este funcțională

Avarie	Cauza posibilă	Soluție
Lipsa percuției.	Mașina de perforat rotopercutantă prea rece.	▶ Așezați mașina de perforat rotopercutantă pe materialul de bază și lăsați-o să ruleze în regim de mers în gol. Dacă este necesar repetați, până când mecanismul de percuție funcționează.
	Selectorul de funcții pe "Găurire fără percuție"  .	▶ Fixați selectorul de funcții pe "Găurire cu percuție"  .
Comutatorul de comandă nu permite apăsarea, respectiv este blocat.	Inversorul pentru rotație dreapta/stânga în poziție centrală.	▶ Apăsăți inversorul pentru rotație dreapta/ stânga spre dreapta sau stânga.
Arborele principal al mașinii nu se rotește.	Temperatura de lucru admisă a blocului electronic al mașinii de perforat rotopercutante depășită.	▶ Lăsați mașina de perforat rotopercutantă să se răcească.
	Acumulatorul descărcat.	▶ Schimbați acumulatorul și încărcați acumulatorul gol.
Mașina de perforat rotopercutantă se deconectează automat.	Protecția la suprasarcină reacționează.	▶ Eliberați comutatorul de comandă. Lăsați mașina de perforat rotopercutantă să se răcească. Acționați din nou comutatorul de comandă. Reduceți sarcina asupra mașinii.
Acumulatorul se goleşte mai repede decât în mod obișnuit.	Starea acumulatorului nu este optimă.	▶ Înlocuiți acumulatorul.
Acumulatorul nu se fixează cu zgomotul caracteristic de "dublu clic".	Ciocurile de fixare de la acumulator murdărite.	▶ Curățați ciocurile de fixare și introduceți acumulatorul din nou.
Dezvoltare puternică de căldură în mașina de perforat rotopercutantă sau acumulator.	Defect electric	▶ Deconectați imediat mașina de perforat rotopercutantă. Extrageți acumulatorul și examinați-l. Lăsați-l să se răcească. Luați legătura cu centrul de service Hilti .
	Mașina de perforat rotopercutantă suprasolicitată (limita de aplicabilitate depășită).	▶ Alegeți o mașină adecvată pentru aplicația de lucru.
Accesorii de lucru nu se poate desprinde din închizător.	Mandrina nu este retractată complet.	▶ Trageți înapoi închizătorul mandrinei până la opritor și extrageți accesoriul de lucru.
Accesorii de lucru nu aşchiază.	Mașina de perforat rotopercutantă fixat pe rotație spre stânga.	▶ Fixați inversorul pentru rotație dreapta/ stânga pe rotație spre dreapta.



9 Dezafectarea și evacuarea ca deșeuri

♻️ Mașinile Hilti sunt fabricate într-o proporție mare din materiale reutilizabile. Condiția necesară pentru reciclare este separarea corectă a materialelor. În multe țări, Hilti preia mașinile dumneavoastră vechi pentru revalorificare. Solicitați relații la centrul pentru clienți Hilti sau la consilierul dumneavoastră de vânzări.



- ▶ Nu aruncați sculele electrice, aparatele electronice și acumulatorii în containerele de gunoi menajer!

10 Garanția producătorului

- ▶ Pentru relații suplimentare referitoare la condițiile de garanție legală, vă rugăm să vă adresați partenerului dumneavoastră local Hilti.

Original kullanım kılavuzu

1 Kullanım kılavuzu bilgileri

1.1 Bu kullanım kılavuzu hakkında

- Aleti çalıştırmadan önce bu kullanım kılavuzunu mutlaka okuyunuz. Bu, güvenli çalışma ve arızasız kullanım için ön koşuldur.
- Bu kullanım kılavuzunda ve ürün üzerinde bulunan emniyet ve uyarı bilgilerine dikkat ediniz.
- Kullanım kılavuzunu her zaman ürün üzerinde bulundurunuz ve ürünü sadece bu kullanım kılavuzu ile birlikte başka kişilere veriniz.

1.2 Resim açıklaması

1.2.1 Uyarı bilgileri

Uyarı bilgileri, ürün ile çalışırken ortaya çıkabilecek tehlikelere karşı uyarır. Aşağıdaki uyarı metinleri kullanılır:

TEHLİKE

TEHLİKE !

- ▶ Ağır vücut yaralanmalarına veya doğrudan ölüme sebep olabilecek tehlikeler için.

İKAZ

İKAZ !

- ▶ Ağır yaralanmalara veya ölüme neden olabilecek tehlikeler için.







DİKKAT

DİKKAT !

- ▶ Vücut yaralanmalarına veya maddi hasarlara yol açabilecek olası tehlikeli durumlar için.

1.2.2 Kullanım kılavuzundaki semboller




Bu kullanım kılavuzunda aşağıdaki semboller kullanılmıştır:

	Kullanım kılavuzuna dikkat edilmelidir
	Kullanım uyarıları ve diğer gerekli bilgiler
	Geri dönüşümlü malzemeler ile çalışma
	Elektrikli aletleri ve aküleri evdeki çöplere atmayınız
	Hilti Lityum İyon akü
	Hilti Şarj cihazı



1.2.3 Çizimlerdeki semboller









Çizimlerde aşağıdaki semboller kullanılmıştır:

	Bu sayılar, kullanım kılavuzunun başlangıcındaki ilgili çizime atanmıştır.
3	Çizimlerdeki numaralandırma, önemli çalışma adımlarını veya çalışma adımları için önemli olan yapı parçalarını gösterir. Metinde, bu çalışma adımları veya yapı parçasına karşılık gelen sayılarla vurgulanmıştır, örn. (3) .
	Pozisyon numaraları Genel bakış çiziminde kullanılır ve Ürüne genel bakış bölümündeki açıklama numaralarına referans niteliğindedir.
	Bu işaret, ürün ile çalışırken dikkatinizi çekmek için koyulmuştur.

1.3 Ürüne bağlı semboller

1.3.1 Üründeki semboller

Üründe aşağıdaki semboller kullanılabilir:

	Darbesiz delme
	Darbe ile delme (darbeli delme)
	Sağa/Sola doğru çalışma
n_0	Ölçüm rölati devir sayısı
/min	Dakika başına devir
	Doğru akım
Li-Ion	Lityum İyon akü
	Kullanılan Hilti Lityum İyon akü tip serisi. Usulüne uygun kullanım bölümündeki bilgileri dikkate alınız.
	Aküyü asla darbe aleti olarak kullanmayınız.
	Aküyü düşürmeyiniz. Darbe almış veya hasar görmüş bir aküyü kullanmayınız.
	Alet, iOS ve Android platformları ile uyumlu NFC teknolojisini destekler.

1.4 Ürün bilgileri

HILTI ürünleri profesyonel kullanıcıların kullanımı için öngörülmüştür ve sadece yetkili personel tarafından kullanılabilir ve bakımı yapılabilir. Bu personel, meydana gelebilecek tehlikeler hakkında özel olarak eğitim görmüş olmalıdır. Aletin ve ilgili yardımcı gereçlerin eğitimsiz personel tarafından usulüne uygun olmayan şekilde kullanılması ve amaçları dışında çalıştırılması sonucu tehlikeli durumlar söz konusu olabilir. Tip tanımı ve seri numarası, tip plakası üzerinde belirtilmiştir.

► Seri numarasını aşağıdaki tabloya aktarınız. Ürün bilgileri acente veya servis merkezini aradığınızda sorulabilir.

Ürün bilgileri

Tip:	TE 2-A22
Jenerasyon:	02
Seri no.:	

1.5 Uygunluk beyanı

Burada tanımlanan ürünün, geçerli yönetmeliklere ve normlara uygun olduğunu kendi sorumluluğumuzda beyan ederiz. Bu dokümantasyonun sonunda uygunluk beyanının bir kopyasını bulabilirsiniz.

Teknik dokümantasyonlar eklidir:



2 Güvenlik

2.1 Elektrikli el aletleri için genel güvenlik uyarıları

⚠ İKAZ Bu elektrikli el aletine yönelik tüm güvenlik uyarılarını, talimatları, resimli açıklamaları ve teknik verileri dikkatlice okuyunuz. Aşağıdaki talimatlara uyulmaması durumunda elektrik çarpması, yangın ve/veya ağır yaralanmalar söz konusu olabilir.

Tüm güvenlik uyarılarını ve kullanım talimatlarını muhafaza ediniz.

Güvenlik uyarılarında kullanılan "Elektrikli el aleti terimi, şebeke işletimli elektrikli el aletleri (şebeke kablosu ile) veya akü işletimli elektrikli el aletleri (şebeke kablosu olmadan) ile ilgilidir.

İş yeri güvenliği

- ▶ **Çalışma alanınızı temiz ve aydınlık tutunuz.** Düzensiz veya aydınlatma olmayan çalışma alanları kazalara yol açabilir.
- ▶ **Yanıcı sıvıların, gazların veya tozların bulunduğu patlama tehlikesi olan yerlerde elektrikli el aleti ile çalışmayınız.** Elektrikli el aletleri, toz veya buharı yakabilecek kıvılcım oluşturur.
- ▶ **Elektrikli el aletini kullanırken çocukları ve diğer kişileri uzak tutunuz.** Dikkatiniz dağılırsa aletin kontrolünü kaybedebilirsiniz.

Elektrik güvenliği

- ▶ **Elektrikli el aletinin bağlantı fişi prize uygun olmalıdır. Fiş hiçbir şekilde değiştirilmemelidir. Adaptör fişini topraklama korumalı elektrikli el aletleri ile birlikte kullanmayınız.** Değiştirilmemiş fişler ve uygun prizler elektrik çarpması riskini azaltır.
- ▶ **Borular, radyatörler, fırınlar ve buzdolapları gibi toprağa temas eden üst yüzeylere vücudunuzla temas etmekten kaçınınız.** Vücudunuzun toprakla teması var ise yüksek bir elektrik çarpması riski söz konusudur.
- ▶ **Elektrikli el aletini yağmurdan veya ıslaklıktan uzak tutunuz.** Elektrikli el aletine su girmesi, elektrik çarpması riskini artırır.
- ▶ **Elektrikli el aletini taşımak, asmak veya fişi prizden çekmek için bağlantı kablosunu kullanım amacı dışında kullanmayınız. Bağlantı kablosunu sıcaktan, yağdan, keskin kenarlardan ve hareketli parçalardan uzak tutunuz.** Hasarlı veya dolanmış bağlantı kabloları elektrik çarpması riskini artırır.
- ▶ **Elektrikli bir el aleti ile açık alanda çalışacaksanız, sadece dışarıda kullanımına izin verilen uzatma kabloları kullanınız.** Dış mekanlar için uygun olan uzatma kablolarının kullanılması elektrik çarpması riskini azaltır.
- ▶ **Elektrikli el aleti işletiminin nemli ortamda yapılması kaçınılmaz ise bir kaçak akım koruma şalteri kullanınız.** Bir kaçak akım koruma şalterinin kullanımı elektrik çarpması riskini azaltır.

Kişilerin güvenliği

- ▶ **Dikkatli olunuz, ne yaptığınızı dikkat ediniz ve elektrikli el aleti ile mantıklı bir şekilde çalışınız.** Yorgunsanız veya uyuşturucu, alkol veya ilaç etkisi altında olduğunuzda elektrikli el aleti kullanmayınız. Elektrikli el aletini kullanırken bir anlık dikkatsizlik ciddi yaralanmalara neden olabilir.
- ▶ **Kişisel koruyucu donanım ve her zaman bir koruyucu gözlük takınız.** Elektrikli el aletinin türüne ve kullanımına göre toz maskesi, kaymayan güvenlik ayakkabısı, koruyucu kask veya kulaklık gibi kişisel koruyucu donanımların kullanılması yaralanma riskini azaltır.
- ▶ **İstem dışı çalışmayı önleyiniz. Güç kaynağına ve/veya aküyü bağlamadan, girişini yapmadan veya taşımadan önce elektrikli el aletinin kapalı olduğundan emin olunuz.** Elektrikli el aletini taşırken parmağınız şalterde ise veya alet açık konumda güç kaynağına takılırsa bu durum kazalara yol açabilir.
- ▶ **Elektrikli el aletini devreye almadan önce ayar aletlerini veya vidalama anahtarlarını çıkartınız.** Dönen bir alet parçasında bulunan bir alet veya ayar anahtar yaralanmalara yol açabilir.
- ▶ **Aşırı bir vücut hareketinden sakınınız. Güvenli bir duruş sağlayınız ve her zaman dengeli tutunuz.** Böylece beklenmedik durumlarda elektrikli el aletini daha iyi kontrol edebilirsiniz.
- ▶ **Uygun kıyafetler giyiniz. Bol kıyafetler giymeyiniz veya takı takmayınız. Saçları, kıyafetleri ve eldivenleri hareket eden parçalardan uzak tutunuz.** Bol kıyafetler, takı veya uzun saçlar hareket eden parçalara takılabilir.
- ▶ **Toz emme ve tutma tertibatları monte edilebiliyorsa bunların bağlı olduğundan ve doğru kullanıldığından emin olunuz.** Bu toz emme tertibatının kullanımı tozdan kaynaklanabilecek tehlikeleri azaltabilir.
- ▶ **Kendi güvenliğinizi riske atmayınız ve elektrikli el aletleri kullanımında son derece tecrübeli olsanız bile ilgili güvenlik kurallarını ihlal etmeyiniz.** Dikkatsiz kullanım saniyeler içerisinde ciddi yaralanmalara neden olabilir.



Elektrikli el aletinin kullanımı ve çalıştırılması

- ▶ **Aleti çok fazla zorlamayın. Çalışmanız için uygun olan elektrikli el aletini kullanın.** Uygun elektrikli el aleti ile bildirilen hizmet alanında daha iyi ve güvenli çalışırsınız.
- ▶ **Şalteri bozuk olan elektrikli el aletini kullanmayınız.** Açılıp kapatılmayan bir elektrikli el aleti tehlikelidir ve tamir edilmesi gerekir.
- ▶ **Alet ayarlarını yapmadan, aksesuar parçalarını değiştirmeden veya aleti bir yere koymadan önce fişi prizden ve/veya (çıkarılabilir) aküyü aletten çıkarınız.** Bu önlem, elektrikli el aletinin istem dışı çalışmasını engeller.
- ▶ **Kullanılmayan elektrikli el aletlerini çocukların erişemeyeceği yerde muhafaza edin. Aleti iyi tanımayan veya bu talimatları okumamış kişilere aleti kullandırmayınız.** Elektrikli el aletleri bilgisiz kişiler tarafından kullanılırsa tehlikelidir.
- ▶ **Elektrikli el aletlerinin ve aksesuarlarının bakımını titizlikle yapınız. Hareketli parçaların kusursuz çalıştığı ve sıkışmadığı, parçaların kırılıp kırılmadığı veya hasar görüp görmediği, elektrikli el aleti fonksiyonlarının kısıtlanma durumlarını kontrol ediniz. Hasarlı parçaları aleti kullanmadan önce tamir ettiriniz.** Birçok kazanın nedeni bakımı kötü yapılan elektrikli el aletleridir.
- ▶ **Kesme aletlerini keskin ve temiz tutun.** Özenle bakımı yapılmış keskin bıçak kenarı olan kesme aletleri daha az sıkışır ve kullanımı daha rahattır.
- ▶ **Elektrikli el aletini, aksesuarları, ek aletleri vb. bu talimatlara göre kullanın. Çalışma şartlarını ve yapılacak işi de ayrıca göz önünde bulundurun.** Elektrikli el aletlerinin öngörülen kullanımı dışında kullanılması tehlikeli durumlara yol açabilir.
- ▶ **Tutamağı ve tutamak yüzeylerini daima temiz ve yağ ve gresten arındırılmış durumda tutunuz.** Kaygan tutamaklar ve tutamak yüzeyleri güvenli bir kullanımı ve öngörülemez durumlarda elektrikli el aletinin kontrolünü engeller.

Akülü el aletinin kullanımı ve çalıştırılması

- ▶ **Akülerini sadece üretici tarafından tavsiye edilen şarj cihazları ile şarj ediniz.** Belirli bir akü için uygun olan bir şarj cihazı, başka akülerle kullanılırsa yanma tehlikesi vardır.
- ▶ **Elektrikli el aletlerinde sadece bunun için öngörülen aküler kullanılmalıdır.** Başka akülerin kullanılması yaralanmalara ve yanma tehlikelerine yol açabilir.
- ▶ **Kullanılmayan akülerini, kontakların köprülenmesine sebep olabilecek ataçlar, madeni paralar, anahtarlar, çiviler, vidalar veya diğer küçük metal cisimlerden uzak tutunuz.** Akü kontakları arasındaki kısa devre yanmalara veya alev oluşumuna sebep olabilir.
- ▶ **Yanlış kullanımda aküden sıvı çıkabilir. Bunlar ile teması ölmeyiniz. Yanlışlıkla temasta su ile durulayınız. Sıvı gözlere temas ederse ayrıca doktor yardımı isteyiniz.** Dışarı akan akü sıvısı cilt tahrişine ve yanmalarına yol açabilir.
- ▶ **Hasarlı veya değiştirilmiş akülerini kullanmayınız.** Hasarlı veya değiştirilmiş aküler öngörülemez şekilde yangın, patlama veya yaralanma tehlikesi içeren tutumlara neden olabilir.
- ▶ **Akülerini açık ateş yakınına koymayınız veya yüksek sıcaklıklara maruz bırakmayınız.** Açık ateş veya 130°C'nin (265°F) üzerinde sıcaklıklar patlama tehlikesine neden olabilir.
- ▶ **Tüm şarj talimatlarına uyunuz ve aküyü veya akülü aleti kullanım kılavuzunda öngörülen sıcaklık aralığının dışında şarj etmeyiniz.** Hatalı şarj veya öngörülen sıcaklık aralığının dışındaki şarj işlemleri akünün zarar görmesine ve yangın tehlikesine neden olabilir.

Servis

- ▶ **Elektrikli el aletinizi sadece kalifiye uzman personele ve sadece orijinal yedek parçalar ile tamir ettiriniz.** Böylece aletin güvenliğinin korunduğundan emin olunur.
- ▶ **Hasarlı aküleri bakım yapmayınız.** Aküleri yönelik tüm bakım çalışmaları sadece üretici veya yetkili müşteri hizmetleri tarafından yapılmalıdır.

2.2 Kırcı-delici için güvenlik uyarıları**Tüm çalışmalara yönelik güvenlik uyarıları**

- ▶ **Kulaklık takınız.** Aşırı sestense dolayı duyma kaybı meydana gelebilir.
- ▶ **Aletle birlikte verilen ek tutamakları kullanın.** Kontrol kaybı yaralanmalara yol açabilir.
- ▶ **Kullandığınız aletin gizli elektrik hatlarına temas edebileceği yerlerde çalışıyorsanız ek aleti izolasyonlu tutamaklardan tutun.** Elektrik ileten bir hat ile temasta metal parçalar da gerilim altında kalır ve elektrik çarpmasına neden olabilir.

Uzun matkap ucu kullanımına yönelik güvenlik uyarıları

- ▶ **Delme işlemine her zaman düşük devir sayısı ile başlayınız ve matkap ucunun iş parçasına temas etmesini bekleyiniz.** Bunun üzerindeki devir sayılarında matkap ucu hafifçe bükülerek iş parçasına temas etmeden serbestçe dönebilir ve yaralanmalara neden olabilir.



- ▶ **Aşırı baskı uygulamayınız ve sadece matkap ucuna göre uzunlamasına yönde baskı uygulayınız.** Matkap ucu bükülebilir, bu nedenle kırılabilir veya kontrolün kaybedilmesine ve yaralanmalara neden olabilir.

2.3 Kırıcı - delici ek güvenlik uyarıları

Kişilerin güvenliği

- ▶ Ürün ve aksesuarı sadece teknik açıdan sorunsuz durumdayken kullanınız.
- ▶ Ürün veya aksesuar üzerinde asla manipülasyon veya değişiklik yapılmamalıdır.
- ▶ Ürünle birlikte verilen ek tutamakları kullanınız. Kontrol kaybı yaralanmalara yol açabilir.
- ▶ Kırma çalışmalarında, çalışılacak yerin karşı tarafında bulunan bölgeyi emniyete alın. Kırılan parçalar dışarı ve / veya yere düşebilir ve diğer kişilerin yaralanmasına sebep olabilir.
- ▶ Ürünü her zaman iki elinizle öngörülen tutamaklardan sıkıca tutunuz. Tutamakları kuru ve temiz tutunuz.
- ▶ Ek aletin gizli elektrik hatlarına temas edebileceği yerlerde çalışıyorsanız, ürünü izole edilmiş tutamak yüzeylerinden tutunuz . Elektrik ileten bir hat ile temasta metal parçalar da gerilim altında kalır ve elektrik çarpmasına neden olabilir.
- ▶ Dönen parçalara temas etmekten kaçınınız - Yaralanma tehlikesi!
- ▶ Ürünün kullanımı sırasında koruyucu gözlük, koruyucu kask, koruyucu kulaklık ve uygun bir solunum koruma maskesi kullanınız.
- ▶ Alet değişimi sırasında koruyucu eldiven takılmalıdır. Ek alete takılan uçlara dokunmak kesik ve yanık türünde yaralanmalara yol açabilir.
- ▶ Koruyucu gözlük kullanınız. Etrafa sıçrayan malzeme vücudu ve gözleri yaralayabilir.
- ▶ Taşlama, zımparalama, kesme ve delme işlemleri sonucunda oluşan tozlar tehlikeli kimyasallar içerebilir. Bazı örnekler şunlardır: Kurşun temelli kurşun veya boya; Tuğla, beton ve diğer duvar ürünleri, doğal taş ve diğer silikat içeren ürünler; Meşe, kayın gibi belirli ahşaplar ve kimyasal işlem görmüş ahşap; Asbest veya asbest içerikli malzemeler. Çalışılan malzemenin tehlike sınıfına göre kullanıcının ve çevredeki kişilerin maruziyetini belirleyiniz. Maruziyeti güvenli bir seviyede tutmak için bir toz toplama sisteminin kullanımı veya uygun bir solunum koruma maskesinin kullanımı gibi gerekli önlemleri alınız. Maruziyeti azaltmaya yönelik genel önlemler aşağıdakilerdir:
 - ▶ İyi havalandırılan bir alanda çalışma,
 - ▶ Toz ile uzun süreli temastan kaçınma,
 - ▶ Yüz ve vücuttaki tozları giderme,
 - ▶ Koruyucu kıyafet kullanma ve maruz kalan alanları su ve sabunla yıkama.
- ▶ Parmaklarınızdaki kan dolaşımının daha iyi olması için sık sık molalar veriniz ve parmak egzersizleri yapınız. Uzun süren çalışmalarda yüksek titreşim, parmaklar, eller veya bileklerdeki sinir sisteminde veya kan damarlarında rahatsızlıklara neden olabilir.

Elektrik güvenliği

- ▶ Çalışmaya başlamadan önce çalışma alanında üzeri örtülü elektrik kablosu, gaz ve su borusu bulunup bulunmadığını kontrol ediniz. Bir elektrik hattına, bir gaz veya su borusuna zarar verilmesi halinde, ürünün dışındaki metal parçalar elektrik çarpmasına veya patlamaya neden olabilir.

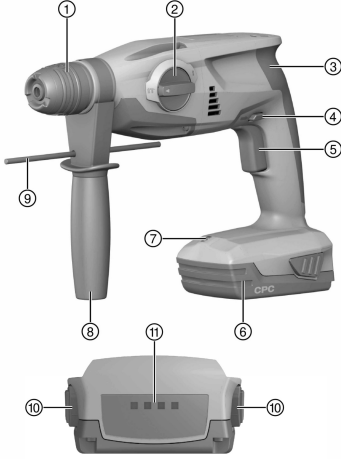
Elektrikli el aletleri ile dikkatli çalışılması ve aletin doğru kullanılması

- ▶ Ek aletin bloke olması halinde, ürünü derhal kapatınız. Ürün yana doğru kayabilir.
- ▶ Yere koymadan önce ürünün tamamen durmasını bekleyiniz.



3 Tanımlama

3.1 Ürüne genel bakış



- ① Alet bağlantı yeri TE-C Click
- ② Fonksiyon seçme şalteri
- ③ Tutamak
- ④ Çalıştırma kilidi olan sağa/sola dönüş değiştirme şalteri
- ⑤ Kumanda şalteri
- ⑥ Akü
- ⑦ Çalışma alanı aydınlatması
- ⑧ Yan tutamak
- ⑨ Derinlik mesnedi
- ⑩ Şarj durumu göstergesinin devreye alınması ilave fonksiyonuna sahip kilit açma düğmeleri
- ⑪ Akü şarj durumu göstergesi

3.2 Usulüne uygun kullanım

Tarif edilen ürün akülü bir kırıcı-delicidir. Çelik, ahşap ve duvarda delik açma, beton ve duvarda darbeli delme ve civataları sıkma ve sökmede kullanılmak üzere tasarlanmıştır.

- Bu ürün için sadece B 22 tip serisi **Hilti** Lityum İyon aküler kullanılmalıdır.
- Bu aküler için sadece **Hilti** onaylı şarj cihazları kullanınız. Daha fazla bilgiyi **Hilti Store** veya www.hilti.group adresinde bulabilirsiniz

3.3 Lityum İyon akü göstergesi

Lityum İyon akü kullanılması durumunda, kilit açma tuşlarına hafifçe basarak şarj durumu görüntülenebilir.

Durum	Anlamı
4 LED yanıyor.	Şarj durumu: % 75 ile %100 arası
3 LED yanıyor.	Şarj durumu: % 50 ile %75 aralığında
2 LED yanıyor.	Şarj durumu: % 25 ile %50 aralığında
1 LED yanıyor.	Şarj durumu: % 10 ile %25 arası
1 LED yanıp sönmüyor.	Şarj durumu: < % 10

Çalışma esnasında ve çalışmadan sonra doğrudan şarj durumunun kontrol edilmesi mümkün değildir. Akü şarj durumu göstergesinin LED'leri yanıp söndüğünde lütfen Hata Arama bölümdeki uyarıları dikkate alınız.

3.4 Teslimat kapsamı

Kırıcı - delici, yan tutamak, derinlik mesnedi, kullanım kılavuzu.

Toz modülü TE DRS-S tozlu çalışmalar için aksesuar olarak sunulur.

Ürün için izin verilen diğer sistem ürünlerini **Hilti Store**'da veya şu adreste bulabilirsiniz: www.hilti.group



4 Teknik veriler

4.1 Kırıcı-delici

	TE 2-A22
Nominal gerilim	21,6 V
EPTA Procedure 01 uyarınca B228.0 akümülatör dahil ağırlık	3,3 kg
Beton/duvarda delme çapı (darbeli delme)	4 mm ... 16 mm
Metalde delme çapı (tam delici)	0 mm ... 10 mm
Derinlik mesnedi maksimum uzunluğu	180 mm

4.2 EN 62841 uyarınca ses bilgisi ve titreşim değerleri

Bu talimatlarda belirtilen ses basıncı ve titreşim değerleri, ilgili normlara uygun bir ölçüm metodu ile ölçülmüştür ve elektrikli el aletlerinin birbirleri ile karşılaştırılması için kullanılabilir. Zorlanmaların geçici olarak değerlendirilmesine de uygundur.

Belirtilen değerler, elektrikli el aletinin ana kullanım alanlarını temsil eder. Elektrikli el aletinin, farklı ek aletlerle veya yetersiz bakım yapılmış şekilde kullanılması durumunda, veriler sapma gösterebilir. Bu durum, toplam çalışma süresi boyunca zorlanmayı belirgin şekilde yükseltebilir.

Doğru bir zorlanma değerlendirmesi için elektrikli el aletinin kapatıldığı veya çalışır konumda olduğu ve ayrıca kullanımda olmadığı zamanlar da dikkate alınmalıdır. Bu durum, toplam çalışma süresi boyunca zorlanmayı belirgin şekilde azaltabilir.

Kullanıcıyı ses ve/veya titreşimin etkilerinden koruyacak ek güvenlik önlemleri belirleyiniz, örneğin: Elektrikli el aletinin ve ek aletlerin bakımının yapılması, ellerin sıcak tutulması, iş akışlarının düzenlenmesi.

Ses bilgileri

Ses gücü seviyesi (L_{WA})	103 dB(A)
Emisyon ses basıncı seviyesi (L_{pA})	92 dB(A)
Emniyetsizlik (ses değerleri) (K_{pA} ve K_{WA})	3 dB(A)

Toplam titreşim değerleri

Metalde delme ($a_{h,D}$)	B 22/2.6 Li-Ion (01)	2,5 m/sn ²
Betonda darbeli delme ($a_{h,HD}$)	B 22/2.6 Li-Ion (01)	12,7 m/sn ²
Emniyetsizlik (Titreşim toplam değerleri)		1,5 m/sn ²

4.3 Akü

Akü çalışma gerilimi	21,6 V
İşletim sırasındaki ortam sıcaklığı	-17 °C ... 60 °C
Depolama sıcaklığı	-20 °C ... 40 °C
Şarj başlangıcında akü sıcaklığı	-10 °C ... 45 °C

5 Kullanım

5.1 Çalışma hazırlığı



İKAZ

Yaralanma tehlikesi kazara çalışmaya başlama nedeniyle!

- ▶ Aküyü takmadan önce ilgili ürünün kapalı konumda olduğundan emin olunuz.
- ▶ Cihazın ayarlarını yapmadan veya aksesuarları değiştirmeden önce aküyü çıkartınız.

Bu dokümanda ve ürün üzerinde bulunan güvenlik ve uyarı bilgilerine dikkat ediniz.

5.1.1 Yan tutamak montajı

1. Yan tutamak tutucusunu (germe bandı) sökmek için tutamağı çeviriniz.



2. Tutamağı (germe bandı), bunun için öngörülen oyuğa kadar alet bağlantı yeri üzerinden öne doğru itiniz.
3. Yan tutamağı istenen konuma konumlandırınız.
4. Yan tutamak tutucusunu (germe bandı) germek için tutamağı çeviriniz.

5.1.2 Akünün yerleştirilmesi 2

1. Aküyü, duyulur şekilde yerine oturana kadar cihaz tutucusuna bastırınız.
2. Akünün alette emniyetli bir şekilde yerleşip yerleşmediğini kontrol ediniz.

5.1.3 Akünün çıkartılması 3

1. Akünün kilit açma tuşlarına basınız.
2. Aküyü arkaya doğru dışarı çekiniz.

5.1.4 Ek aletin yerleştirilmesi 5

1. Ek aletin giriş ucunu gresle hafifçe yağlayınız.
 - ▶ Sadece Hilti'nin orijinal gresini kullanınız. Yanlış bir gres tipi alette hasara neden olabilir.
2. Ek aleti dayanak yerine kadar alet bağlantı yerine yerleştirip oturtunuz.
3. Aleti yerleştirdikten sonra çekerek güvenli kilitleme durumunu kontrol ediniz.
 - ▶ Ürün kullanıma hazırdır.

5.1.5 Ek aletin çıkarılması 6

DİKKAT

Ek alet nedeniyle yaralanma tehlikesi! Ek alet sıcak veya keskin kenarlı olabilir.

- ▶ Ek aleti değiştirirken koruyucu eldiven takınız.

- ▶ Alet kilidini dayanak noktasına kadar geri çekin ve ek aleti çıkartın.

5.1.6 Derinlik mesnedinin monte edilmesi (opsiyonel) 7

1. Yan tutamak tutucusunu (germe bandı) sökmek için tutamağı çeviriniz.
2. Derinlik mesnedini, önden bunun için öngörülen 2 kılavuz deliğine itiniz.
3. Yan tutamak tutucusunu (germe bandı) germek için tutamağı çeviriniz.

5.2 Çalışma

DİKKAT

Hasar tehlikesi yanlış kullanım nedeniyle!

- ▶ Şalteri dönüş yönü ve/veya fonksiyon seçimi için çalışma esnasında çalıştırmayınız.

Bu dokümanda ve ürün üzerinde bulunan güvenlik ve uyarı bilgilerine dikkat ediniz.

5.2.1 İşyeri aydınlatması




LED'ler kumanda şalterine basıldığında otomatik olarak etkinleştirilir. Kumanda şalterini bıraktıktan sonra LED yavaşça söner.

- ▶ Kumanda şalterine basınız.


5.2.2 Dönüş yönü

- ▶ Dönüş yönünü ayarlayınız.
 - ▶ Şalter bu konumda yerine oturur.

5.2.3 Darbesiz delme 8

- ▶ Fonksiyon seçme şalterini şu sembolün üzerine getiriniz: .

5.2.4 Darbeli delme 9

- ▶ Fonksiyon seçme şalterini şu sembolün üzerine getiriniz: .



6 Bakım ve onarım

6.1 Bakım ve onarım

⚠ İKAZ

Takılı aküden dolayı yaralanma tehlikesi !

- Tüm bakım ve onarım çalışmalarından önce her zaman aküyü çıkarınız!

Ürün bakımı

- Yapışmış olan kirleri dikkatle çıkartınız.
- Eğer mevcutsa, havalandırma deliklerini kuru ve yumuşak bir fırça ile dikkatlice temizleyiniz.
- Gövdeyi sadece hafif nemli bir temizlik bezi ile temizleyiniz. Plastik parçalara yapışabileceğinden silikon içerikli bakım maddeleri kullanmayınız.
- Ürünün üzerindeki kontak noktalarını temizlemek için temiz ve kuru bir bez kullanınız.

Lityum İyon akülerin bakımı

- Bir aküyü asla havalandırma delikleri tıkalıyken kullanmayınız. Havalandırma deliklerini kuru, yumuşak bir fırça ile dikkatlice temizleyiniz.
- Akünün gereksiz yere toza veya kire maruz kalmamasını sağlayınız. Aküyü asla yüksek neme maruz bırakmayınız (örneğin suya daldırmayınız veya yağmurda bırakmayınız). Bir akünün ıslanması halinde, ona hasarlı bir akü gibi davranınız. Yanıcı olmayan bir kabın içinde izole ediniz ve **Hilti** servisine başvurunuz.
- Aküyü yabancı yağ ve gresten uzak tutunuz. Akünün üzerinde gereksiz yere toz veya kir birikmesine izin vermeyiniz. Aküyü kuru, yumuşak bir fırça veya temiz, kuru bir bezle temizleyiniz. Plastik parçalara yapışabileceğinden silikon içerikli bakım maddeleri kullanmayınız. Akünün kontak noktalarına dokunmayınız ve kontak noktalarına fabrikada uygulanmış olan gresi kesinlikle çıkartmayınız.
- Gövdeyi sadece hafif nemli bir temizlik bezi ile temizleyiniz. Plastik parçalara yapışabileceğinden silikon içerikli bakım maddeleri kullanmayınız.

Bakım

- Görünür tüm parçalarda hasar olup olmadığını ve kumanda elemanlarının sorunsuz şekilde çalışıp çalışmadığını düzenli olarak kontrol ediniz.
- Hasar ve/veya fonksiyon arızaları durumunda ürünü işletmeyiniz. Ürünü gecikmeden **Hilti** servisine tamir ettiriniz.
- Bakım ve onarım çalışmalarından sonra tüm koruma tertibatlarını yerleştiriniz ve bunların fonksiyonlarını sorunsuz olarak yerine getirmekte olup olmadıklarını kontrol ediniz.



Güvenli çalışma için sadece orijinal yedek parçalar ve tüketim malzemeleri kullanınız. **Hilti** tarafından onaylanmış, yedek parçaları, aksesuarları ve sarf malzemelerini **Hilti Store** veya şu adreste bulabilirsiniz: www.hilti.group

6.2 Tozdan koruma kapağının temizlenmesi

- Tozdan koruma kapağını düzenli bir şekilde alet bağlantı yerinden temiz, kuru bir bez ile temizleyiniz.
- Conta ağızını dikkatlice silerek temizleyiniz ve hafifçe **Hilti** yağı ile yağlayınız.
- Conta ağızı hasarlı ise tozdan koruma kapağı mutlaka değiştirilmelidir.

7 Taşıma ve depolama

7.1 Akülü aletlerin ve akülerin taşınması ve depolanması

Taşıma

⚠ DİKKAT

Taşıma sırasında aletin istem dışı çalışması !

- Ürünlerinizi her zaman aküler takılı olmadan taşıyınız!
- Aküleri çıkartınız.
- Aküleri kesinlikle sıkıca bağlanmamış koruma ile nakletmeyiniz. Nakliye sırasında, aküler aşırı şok ve titreşimlerden korunmalı ve başka akü kutupları ile temas ederek kısa devreye neden olmaları için, her



türlü iletken malzeme veya diğer akülerden izole edilmiş olmalıdır. **Aküler için yerel taşıma talimatlarını dikkate alınız.**

- ▶ Aküler posta ile gönderilmemelidir. Hasarsız aküleri sevk etmek istemeniz halinde, bir nakliye şirketine başvurunuz.
- ▶ Ürünün ve akülerin hasar görmüş olup olmadığını her kullanımdan önce olduğu gibi uzun taşımaldan önce ve sonra kontrol ediniz.

Depolama

İKAZ

Arızalı veya akan aküler nedeniyle beklenmeyen hasar oluşumu !

- ▶ Ürünlerinizi her zaman aküleri yerleştirmeden depolayınız!
- ▶ Ürünü ve aküleri serin ve kuru bir yerde muhafaza ediniz. Teknik verilerde belirtilen sıcaklık sınır değerlerini dikkate alınız.
- ▶ Aküleri şarj cihazının üzerinde muhafaza etmeyiniz. Şarj işleminden sonra her zaman aküyü şarj cihazından çıkartınız.
- ▶ Aküleri kesinlikle güneşte, ısı kaynakların üzerinde veya cam arkasında muhafaza etmeyiniz.
- ▶ Ürünü ve aküleri çocukların ve yetkisiz kişilerin ulaşamayacağı yerlerde muhafaza ediniz.
- ▶ Ürünün ve akülerin hasar görmüş olup olmadığını her kullanımdan önce olduğu gibi uzun süreli depolamalardan önce ve sonra kontrol ediniz.

8 Hata arama

8.1 Arıza durumunda yardım

Bu tabloda listelenmemiş veya kendi başınıza gideremediğiniz arızalarda lütfen yetkili **Hilti** servisimiz ile irtibat kurunuz.

8.2 Kırıcı-delici çalışmaya hazır değildir

Arıza	Olası sebepler	Çözüm
Kırıcı-delici çalışmıyor.	Kırıcı-delici aşırı yüklendi.	▶ Kırıcı-deliciyi kapatınız, aküyü çıkartınız ve kırıcı-deliciyi kullanmaya devam etmeyiniz.
LED'ler hiçbir şey göstermiyor.	Akü yerine tamamen takılmamış.	▶ Aküyü çift klik sesi ile yerine oturtunuz.
	Akü deşarj olmuş.	▶ Aküyü değiştiriniz ve boş aküyü şarj ediniz.
	Akü çok sıcak veya çok soğuk.	▶ Akü tavsiye edilen çalışma sıcaklığına getirilmelidir.
1 LED yanıp sönüyor.	Akü deşarj olmuş.	▶ Aküyü değiştiriniz ve boş aküyü şarj ediniz.
	Akü çok sıcak veya çok soğuk.	▶ Akü tavsiye edilen çalışma sıcaklığına getirilmelidir.
4 LED yanıp sönüyor.	Kırıcı-delici kısa süre aşırı yüklendi.	▶ Kumanda şalterini bırakınız ve şaltere sonra yeniden basınız.
	Aşırı sıcaklık koruması.	▶ Kırıcı-deliciyi soğumaya bırakınız ve havalandırma deliklerini temizleyiniz.


8.3 Kırıcı-delici çalışmaya hazırdır

Arıza	Olası sebepler	Çözüm
Darbe yok.	Kırıcı-delici çok soğuk.	▶ Kırıcı - deliciyi zemine yerleştiriniz ve rölantide çalıştırınız. Darbe mekanizması çalışıncaya kadar gerektiği kadar tekrarlayınız.



Arıza	Olası sebepler	Çözüm
Darbe yok.	Fonksiyon seçme şalteri "Darbesiz delme" konumunda  .	► Fonksiyon seçme şalterini "Darbeli delme" konumuna getiriniz  .
Kumanda şalterine basılamıyor veya bloke olmuş.	Sağa/sola dönüş değiştirme şalteri orta konumda.	► Sağa/sola dönüş şalterini sağa veya sola doğru bastırınız.
Alet mili dönmüyor.	Kırıcı-delici elektroniğinin izin verilen çalışma sıcaklığı aşıldı. Akü deşarj olmuş.	► Kırıcı-deliciyi soğumaya bırakınız. ► Aküyü değiştiriniz ve boş aküyü şarj ediniz.
Kırıcı-delici otomatik olarak kapanıyor.	Zorlanma emniyeti devreye girer.	► Kumanda şalterini bırakınız. Kırıcı-deliciyi soğumaya bırakınız. Kumanda şalterine yeniden basınız. Alet yükünü azaltınız.
Akü normalden daha hızlı boşalıyor.	Akü durumu uygun değil.	► Aküyü değiştiriniz.
Akü paketi duyulabilir bir "çift klik" sesi ile yerine oturmuyor.	Akünün kilit tırnakları kirlenmiş.	► Kilit tırnaklarını temizleyiniz ve aküyü yeniden yerine oturtunuz.
Kırıcı-delicide veya aküde yoğun ısı oluşması.	Elektrik arızası Kırıcı-delici aşırı yüklenmiş (kullanım sınırı aşılmış).	► Kırıcı-deliciyi hemen kapatınız. Aküyü çıkartınız ve durumunu inceleyiniz. Soğumaya bırakınız. Hilti servisi ile iletişim kurunuz. ► Uygulamaya uygun bir alet seçiniz.
El aleti kilitten çözülüyor.	Alet bağlantı yeri tam olarak geri çekilmemiş.	► Alet kilidini dayanak noktasına kadar geri çekiniz ve aleti çıkartınız.
El aleti yerinden çıkmıyor.	Kırıcı-delici sola dönme konumuna getirilmiş.	► Sağa/sola dönüş değiştirme şalterini sağa doğru çalışma konumuna getiriniz.

9 İmha

 **Hilti** aletleri yüksek oranda geri dönüşümlü malzemelerden üretilmiştir. Geri dönüşüm için gerekli koşul, usulüne uygun malzeme ayrımıdır. Çoğu ülkede **Hilti**, eski aletlerini yeniden değerlendirmek üzere geri alır. Bu konuda **Hilti** müşteri hizmetlerinden veya satış temsilcinizden bilgi alabilirsiniz.



- Elektrikli el aletlerini, elektronik cihazları ve aküleri evdeki çöplere atmayınız!

10 Üretici garantisi

- Garanti koşullarına ilişkin sorularınız için lütfen yerel **Hilti** iş ortağınıza başvurunuz.



1 بيانات بخصوص دليل الاستعمال

1.1 خاص بدليل الاستعمال هذا

- اقرأ دليل الاستعمال قبل التشغيل. يعتبر هذا شرطا للعمل بشكل آمن والاستخدام بدون اختلالات.
- احرص على مراعاة إرشادات الأمان والإرشادات التحذيرية الواردة دليل الاستعمال هذا والمدونة على المنتج.
- احتفظ بدليل الاستعمال دائما مع هذا المنتج، ولا تعطي المنتج لأشخاص آخرين إلا مع إرفاق دليل الاستعمال هذا معه.

2.1 شرع العلامات

1.2.1 إرشادات تحذيرية

تنبه الإرشادات التحذيرية إلى الأخطار الناشئة عند التعامل مع الجهاز. يتم استخدام الكلمات الدليلية التالية:



خطر

خطر!

◀ تشير لخطر مباشر يؤدي لإصابات جسدية خطيرة أو إلى الوفاة.



تحذير

تحذير!

◀ تشير لخطر محتمل قد يؤدي لإصابات جسدية خطيرة أو إلى الوفاة.



احترس:

احترس!

◀ تشير لموقف خطر محتمل يمكن أن يؤدي لإصابات جسدية أو أضرار مادية.

2.2.1 الرموز في دليل الاستعمال

يتم استخدام الرموز التالية في دليل الاستعمال هذا:

يُراعى دليل الاستعمال	
إرشادات الاستخدام ومعلومات أخرى مفيدة.	
التعامل مع مواد قابلة لإعادة التدوير	
لا تتخلص من الأجهزة الكهربائية البطاريات ضمن القمامة المنزلية	
Hilti بطارية أيونات الليثيوم	
Hilti جهاز الشحن	

3.2.1 الرموز في الصور

تستخدم الرموز التالية في الرسوم التوضيحية:

تشير هذه الأعداد إلى الصورة المعنية في بداية دليل الاستعمال هذا.	2
تشير الأرقام في الصور إلى خطوات العمل المهمة أو إلى الأجزاء المهمة لخطوات العمل. يتم إبراز هذه الخطوات أو الأجزاء في النص من خلال الأرقام، على سبيل المثال (3).	3
يتم استخدام أرقام المواضع في صورة العرض العام وهي تشير إلى أرقام تعليق الصورة في فصل عرض عام للمنتج.	11
هذه العلامة من شأنها أن تُثير انتباهك جيدا عند التعامل مع المنتج.	



3.1 الرموز المرتبطة بالمنتج

1.3.1 الرموز على المنتج

قد تكون الرموز التالية مستخدمة على المنتج:

	الثقب بدون طرق
	الثقب بالطرق (الثقب المطرقي)
	الدوران جهة اليمين/اليسار
n_0	عدد اللفات الاسمي في الوضع المحايد
/min	عدد اللفات في الدقيقة
	تيار مستمر
Li-Ion	بطارية أيونات الليثيوم
	بطاريات أيونات الليثيوم Hilti المستخدمة من النوع. احرص على مراعاة التعليمات الواردة في الفصل الاستخدام المطابق للتعليمات.
	لا تستخدم البطارية أبداً كمطرقة.
	لا تدع البطارية تسقط. لا تستخدم بطارية تعرضت لصدمات أو أي نوع آخر من التلفيات.
	يدعم الجهاز تقنية NFC المتوافقة مع أنظمة التشغيل iOS و Android.

4.1 معلومات المنتج

منتجات **HILTI** مصممة للمستخدمين المحترفين ويقصر استعمالها وصيانتها وإصلاحها على الأشخاص المعتمدين والمدربين جيداً. هؤلاء الأشخاص يجب أن يكونوا قد تلقوا تدريباً خاصاً على الأخطار الطارئة. قد يتسبب الجهاز وأدواته المساعدة في حدوث أخطار إذا تم التعامل معها بشكل غير سليم فنياً من قبل أشخاص غير مدربين أو تم استخدامها بشكل غير مطابق للتعليمات. يوجد مسمى الطراز والرقم المسلسل على لوحة الصنع.

◀ انقل الرقم المسلسل في الجدول التالي. ستحتاج إلى بيانات المنتج في حالة الاستفسارات الموجبة إلى ممثلينا أو مركز الخدمة.

بيانات المنتج

الطراز:	TE 2-A22
الجيل:	02
الرقم المسلسل:	

5.1 بيان المطابقة

نقر على مسؤوليتنا الفردية بأن المنتج المشروع هنا متوافقة مع التشريعات والمواصفات المعمول بها. تجد صورة لبيان المطابقة في نهاية هذا المستند.

المستندات الفنية محفوظة هنا:

Hilti Entwicklungsgesellschaft mbH | Zulassung Geräte | Hiltistraße 6 | 86916 Kaufering, DE

2 السلامة

1.2 إرشادات السلامة العامة المتعلقة بالأدوات الكهربائية

⚠ تحذير احرص على قراءة جميع إرشادات السلامة، التوجيهات، الصور التوضيحية والمواصفات الفنية المرفقة مع هذه الأداة الكهربائية. أي تقصير أو إهمال في الالتزام بالتعليمات التالية قد يتسبب في حدوث صق كهربائي، نشوب حريق و/أو وقوع إصابات خطيرة.

احتفظ بجميع مستندات إرشادات السلامة والتعليمات لاستخدامها عند الحاجة إليها فيما بعد.



يقصد بمصطلح «الأداة الكهربائية» المذكور في إرشادات السلامة الأدوات الكهربائية المشغلة بالكهرباء (باستخدام كابل الكهرباء) أو الأدوات الكهربائية المشغلة بالبطاريات (بدون كابل الكهرباء).

سلامة مكان العمل

- ◀ حافظ على نطاق عملك نظيفاً ومضاءً بشكل جيد. الفوضى أو أماكن العمل غير المضاءة يمكن أن تؤدي لوقوع حوادث.
- ◀ لا تعمل بالأداة الكهربائية في محيط معرض لخطر الانفجار يتواجد به سوائل أو غازات أو أنواع غبار قابلة للاشتعال. الأدوات الكهربائية تولد شرراً يمكن أن يؤدي لإشعال الغبار والأبفرة.
- ◀ احرص على إبعاد الأطفال والأشخاص الآخرين أثناء استخدام الأداة الكهربائية. في حالة انصراف انتباهك قد تفقد السيطرة على الجهاز.

السلامة الكهربائية

- ◀ يجب أن يكون قابس توصيل الأداة الكهربائية متلائماً مع المقبس. لا يجوز تعديل القابس بأي حال من الأحوال. لا تستخدم قوايس مهايأة مع أدوات كهربائية ذات وصلة أرضي محمية. القوايس غير المعدلة والمقابس الملائمة تقلل من خطر حدوث صدمة كهربائية.
- ◀ تجنب حدوث تلامس للجسم مع أسطح مؤرضة مثل الأسطح الخاصة بالمواسير وأجهزة التدفئة والمواقد والتلجّات. بنشأ خطر متزايد من حدوث صدمة كهربائية عندما يكون جسمك متصلاً بالأرض.
- ◀ أبعد الأدوات الكهربائية عن الأمطار أو البلل. تسرب الماء إلى داخل الأداة الكهربائية يزيد من خطر حدوث صدمة كهربائية.
- ◀ لا تستخدم كابل التوصيل لحمل الأداة الكهربائية أو تعليقها أو لسحب القابس من المقبس. احتفظ بكابل التوصيل بعيداً عن السخونة والزيت والحواف الحادة والأجزاء المتحركة. كابلات التوصيل التالفة أو المتشابكة تزيد من خطر حدوث صق كهربائي.
- ◀ عندما تعمل بأداة كهربائية في مكان مكشوف، فلا تستخدم سوى كابلات الإطالة المناسبة للعمل في النطاق الخارجي. استخدام كابل إطالة مناسب للعمل في النطاق الخارجي يقلل من خطر حدوث صق كهربائي.
- ◀ إذا تعذر تجنب تشغيل الأداة الكهربائية في محيط رطب، فاستخدم مفتاح حماية من تسرب التيار. استخدام مفتاح الحماية من تسرب التيار يقلل خطر حدوث صدمة كهربائية.

سلامة الأشخاص

- ◀ كن يقظاً وانتبه لما تفعل وتعامل مع الأداة الكهربائية بتعقل عند العمل بها. لا تستخدم الأداة الكهربائية عندما تكون متعباً أو تحت تأثير المخدرات أو الكحوليات أو العقاقير. فقد يتسبب عدم الانتباه للحظة واحدة أثناء الاستخدام في حدوث إصابات بالغة.
- ◀ ارتد تجهيزات وقاية شخصية وارتد دائماً نظارة واقية. ارتداء تجهيزات وقاية شخصية، مثل قناع الوقاية من الغبار وأحذية الأمان المضادة للانزلاق وخوذة الوقاية أو واقى السمع، تبعاً لنوع واستخدام الأداة الكهربائية، يقلل من خطر الإصابات.
- ◀ تجنب التشغيل بشكل غير مقصود. تأكد أن الأداة الكهربائية مطفأة قبل توصيلها بالكهرباء و/أو بالبطارية وقبل رفعها أو حملها. إذا كان إصبعك على المفتاح عند حمل الأداة الكهربائية أو كان الجهاز في وضع التشغيل عند التوصيل بالكهرباء، فقد يؤدي ذلك لوقوع حوادث.
- ◀ أبعد أدوات الضبط أو مفاتيح ربط البراغي قبل تشغيل الأداة الكهربائية. الأداة أو المفتاح المتواجد في جزء دوار من الجهاز يمكن أن يؤدي لحدوث إصابات.
- ◀ تجنب اتخاذ وضع غير طبيعي للجسم. احرص على أن تكون واقفاً بأمان وحافظ على توازنك في جميع الأوقات. من خلال ذلك تستطيع السيطرة على الأداة الكهربائية بشكل أفضل في المواقف المفاجئة.
- ◀ ارتد ملابس مناسبة. لا ترتد ملابس فضفاضة أو حلي. احرص على أن يكون الشعر والملابس والقفازات بعيدة عن الأجزاء المتحركة. الملابس الفضفاضة أو الحلي أو الشعر الطويل يمكن أن تشبك في الأجزاء المتحركة.
- ◀ إذا أمكن تركيب تجهيزات شطف وتجميع الغبار، فتأكد أنها موصلة ومستخدمة بشكل سليم. استخدام تجهيز شطف الغبار يمكن أن يقلل الأخطار الناتجة عن الغبار.
- ◀ لا تعتقد بأنك في مأمن عن الخطر ولا تتجاهل تشريعات السلامة المعنية للأدوات الكهربائية، حتى وإن كنت على دراية بالأداة الكهربائية بعد تكرار استخدامها. التعامل مع الجهاز بدون حذر قد يؤدي إلى وقوع إصابات بالغة في جزء من الثانية.

استخدام الأداة الكهربائية والتعامل معها

- ◀ لا تفرط في التحميل على الجهاز. استخدم الأداة الكهربائية المناسبة للعمل الذي تقوم به. استخدام الأداة الكهربائية المناسبة يتيح لك العمل بشكل أفضل وأكثر أماناً في نطاق العمل المقرر.



- ◀ لا تستخدم أداة كهربائية ذات مفتاح تالف. الأداة الكهربائية التي لم يعد يمكن تشغيلها أو إطفائها تمثل خطورة ويجب إصلاحها.
- ◀ اسحب القابس من المقبس و/أو اخلع البطارية القابلة للخلع من الجهاز قبل إجراء عمليات الضبط، أو استبدال أجزاء الملحقات أو عند ترك الجهاز. هذا الإجراء الوقائي يمنع بدء تشغيل الأداة الكهربائية دون قصد.
- ◀ احتفظ بالأدوات الكهربائية غير المستخدمة بعيدا عن متناول الأطفال. لا تسمح باستخدام الجهاز من قبل أشخاص ليسوا على دراية به أو لم يقرءوا هذه التعليمات. الأدوات الكهربائية خطيرة في حالة استخدامها من قبل أشخاص ليست لديهم الخبرة الواجبة.
- ◀ اعتني جيدا بالأدوات الكهربائية والملحقات. افحص الأجزاء المتحركة من حيث أداؤها لوظيفتها بدون مشاكل وعدم انحصارها وافحصها من حيث وجود أجزاء مكسورة أو متعرضة للضرر يمكن أن تؤثر سلبا على وظيفة الأداة الكهربائية. اعمل على إصلاح الأجزاء التالفة قبل استخدام الجهاز. الكثير من الحوادث مصدرها الأدوات الكهربائية التي تم صيانتها بشكل رديء.
- ◀ حافظ على أدوات القطع حادة ونظيفة. تتميز أدوات القطع ذات حواف القطع المادة المعتنى بها بدقة بأنها أقل عرضة للتعثرو وأسهل في التعامل.
- ◀ استخدم الأداة الكهربائية والملحقات وأدوات العمل وخلافه طبقا لهذه التعليمات. احرص في هذه الأثناء على مراعاة اشتراطات العمل والمهمة المراد تنفيذها. استخدام الأدوات الكهربائية في تطبيقات غير تلك المقررة لها يمكن أن يؤدي لمواقف خطيرة.
- ◀ حافظ على المقابض ومواضع المسك في حالة جافة ونظيفة وخالية من الزيت والشحم. المقابض ومواضع المسك الانزلاقية تحول دون استعمال الأداة الكهربائية والتحكم بها بشكل آمن في المواقف غير المتوقعة.

استخدام الأداة العاملة بالبطارية والتعامل معها

- ◀ لا تشحن البطارية إلا في أجهزة شحن موصى بها من قبل الجبة الصانعة. بالنسبة لجهاز الشمن المناسب لنوع معين من البطاريات، ينشأ خطر الحريق عند استخدامه مع بطاريات أخرى.
- ◀ لا تضع في الأدوات الكهربائية سوى البطاريات المخصصة لها. استخدام بطاريات أخرى يمكن أن يؤدي لوقوع إصابات وخطر الحريق.
- ◀ أبعد البطارية غير المستخدمة عن مشابك الورق وقطع النقود المعدنية والمفاتيح والمسامير والبراغي أو الأشياء المعدنية الصغيرة الأخرى التي يمكن أن تتسبب في توصيل الملامسين لبعضهما. حدوث قفلة كهربائية بين أطراف توصيل البطارية يمكن أن ينتج عنه حدوث حروق أو نشوب حريق.
- ◀ عند الاستخدام بشكل خاطئ يمكن أن يتسرب سائل من البطارية. تجنب ملامسته. اشطفه بالماء في حالة ملامسته عن طريق الخطأ. إذا وصل السائل للعينين، فتوجه للطبيب علاوة على ذلك. سائل البطارية المتسرب يمكن أن يؤدي لتبيح البشرة أو حدوث حروق.
- ◀ لا تستخدم بطارية تالفة أو مختلفة. البطاريات التالفة أو المختلفة قد تتفاعل مع نفسها بشكل غير متوقع مما يؤدي لنشوب حريق أو حدوث انفجار أو وقوع إصابات.
- ◀ لا تعرض البطارية للنار أو لدرجات حرارة مرتفعة للغاية. حيث قد تؤدي النار ودرجات الحرارة الزائدة عن 130 °م (265 °ف) إلى حدوث انفجار.
- ◀ التزم بكافة التعليمات المعنية بالشحن، ولا تقم أبدا بشحن البطارية أو الأداة العاملة بالبطارية خارج نطاق درجة الحرارة الوارد ذكره في دليل التشغيل. الشمن بشكل خاطئ أو خارج نطاق درجة الحرارة المسموح به قد يتلف البطارية ويزيد من خطر الحريق.

الخدمة

- ◀ اعمل على إصلاح أدواتك الكهربائية على أيدي فنيين معتمدين فقط والاقصر على استخدام قطع الغيار الأصلية. وبذلك تتأكد من الحفاظ على سلامة الجهاز.
- ◀ لا تقم أبدا بصيانة البطاريات التالفة. يجب أن تتم جميع أعمال الصيانة بمعرفة الجبة الصانعة فقط أو من خلال مراكز خدمة العملاء المعتمدين.

2.2 إرشادات السلامة الخاصة بالمطارق

إرشادات السلامة لجميع الأعمال

- ◀ استخدم واقيا للسمع. لذا يرجى مراعاة أن الضجيج الصاخب يمكن أن يُفقد القدرة على السمع.
- ◀ استخدم المقابض الإضافية الموردة مع الجهاز. فقدان السيطرة يمكن أن يؤدي لوقوع إصابات.
- ◀ أمسك الجهاز من مواضع المسك المعزولة عند إجراء أعمال يحتمل فيها أن تتلامس أداة الشغل مع أسلاك كهربائية مخفية. حيث أن ملامسة سلك يسري فيه التيار الكهربائي يمكن أن ينقل الجهد الكهربائي للأجزاء المعدنية بالجهاز ويؤدي لحدوث صدمة كهربائية.



إرشادات السلامة في حالة استخدام ريشة ثقب طويلة

- ◀ **ابدأ عملية الثقب دائماً بعدد لفات منخفض وعندما تكون ريشة الثقب ملامسة لقطعة الشغل.** عند العمل بعدد لفات أعلى يمكن أن تنتهي ريشة الثقب بسهولة، إذا دارت دون تلامس مع قطعة الشغل، وتؤدي إلى وقوع إصابات.
- ◀ **اضغط على ريشة الثقب بدون إفراط وفي اتجاه طولي فقط.** فقد تتعرض ريشة الثقب للانثناء والانكسار من جراء ذلك، أو من الممكن أن تفقد السيطرة عليها وتتسبب في وقوع إصابات.

3.2 إرشادات السلامة الإضافية للمثقاب المطرقي

سلامة الأشخاص

- ◀ اقتصر على استخدام المنتج والملحقات وهم في حالة سليمة من الناحية الفنية.
- ◀ لا تقم أبداً بأية تدخلات أو تغييرات على المنتج أو الملحقات.
- ◀ استخدم المقابض الإضافية الموردة مع المنتج. فقدان السيطرة يمكن أن يؤدي لوقوع إصابات.
- ◀ أثناء أعمال الثقب قم بتأمين النطاق الواقع على الجهة المقابلة للعمل. الشظايا المتناثرة يمكن أن تتطاير، وأو تسقط وتصيب الآخرين.
- ◀ أمسك الجهاز دائماً بكلتا اليدين من المقابض المخصصة لذلك. حافظ على جفاف ونظافة المقابض.
- ◀ احرص على مسك المنتج من مواضع المسك المعزولة عند إجراء أعمال يحتمل فيها أن تتلامس أداة الشغل مع أسلاك كهربائية مخفية. حيث أن ملامسة سلك يسري فيه التيار الكهربائي يمكن أن ينقل الجهد الكهربائي للأجزاء المعدنية بالجهاز ويؤدي لحدوث صدمة كهربائية.
- ◀ تجنب ملامسة الأجزاء الدوارة - خطر الإصابة!
- ◀ احرص أثناء استخدام المنتج على ارتداء نظارة واقية وخوذة حماية وواق للسمع وكمامة مناسبة للتنفس.
- ◀ قم بارتداء قفازا واقيا أثناء تغيير الأدوات. ملامسة أداة الشغل قد تؤدي لوقوع إصابات بجروح قطعية وإصابة بحروق.
- ◀ استخدم واقياً للعينين. الشظايا المتطايرة يمكن أن تصيب الجسم والعيونين.
- ◀ يمكن أن يحتوي الغبار الناتج عن التجليخ والسنفرة والقطع والثقب على مواد كيميائية خطيرة. بعض الأمثلة: الرصاص أو الدهانات التي تحتوي على الرصاص، القرميد والخرسانة ومنتجات البناء الأخرى وأحجار البناء الطبيعية والمنتجات الأخرى المحتوية على السيليكات، بعض الأخشاب مثل البلوط والزان والأخشاب المعالجة كيميائياً، الأسبستوس أو الغامات المحتوية على الأسبستوس. قم بتحديد مدى تعرض المستخدم والأشخاص المحيطين لفئة خطر الغامات التي يجري العمل عليها. اتخذ التدابير اللازمة للحفاظ على مدى التعرض في مستوى آمن، على سبيل المثال، استخدام نظام تجميع الغبار أو ارتداء كمامة مناسبة للتنفس. تشمل التدابير العامة للحد من مدى التعرض ما يلي:
- ◀ العمل في نطاق جيد التهوية،
- ◀ تجنب ملامسة الغبار لفترة طويلة،
- ◀ إزالة الغبار عن الوجه والجسم،
- ◀ ارتداء بزة واقية وغسل المناطق المكشوفة بالماء والصابون.
- ◀ خذ قسطاً من الراحة بشكل متكرر وقم بتمارين استرخاء لسريان الدم في الأصابع بشكل أفضل. عند القيام بأعمال لفترات طويلة، فقد تحدث اضطرابات في الأوعية الدموية أو الجهاز العصبي بسبب كثرة الاهتزازات على الأصابع أو الأيدي أو معصم اليد.

السلامة الكهربائية

- ◀ قبل بدء الأعمال افحص نطاق العمل من حيث وجود توصيلات كهربائية مدفونة أو مواسير للغاز والماء. الأجزاء المعدنية الخارجية بالمنتج يمكن أن تتسبب في صدمة كهربائية أو انفجار، إذا قمت بإتلاف إحدى توصيلات التيار أو ماسورة الغاز أو الماء.

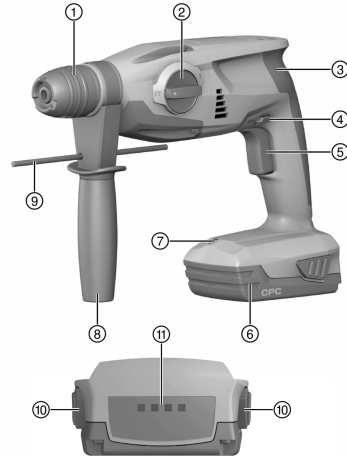
الاستخدام والتعامل بعناية مع الأدوات الكهربائية

- ◀ قم بإيقاف المنتج على الفور، بمجرد تعرض أداة الشغل للإعاقة. يمكن أن ينحرف الجهاز جانباً.
- ◀ انتظر حتى يتوقف المنتج قبل تخزينه.



1.3 نظرة عامة على المنتج 1

- | | |
|---|---|
| ظرف تركيب الأدوات TE-C Click | ① |
| مفتاح اختيار الوظيفة | ② |
| المقبض | ③ |
| مفتاح تحويل الدوران جهة اليمين/اليسار | ④ |
| مزود بمانع تشغيل | ⑤ |
| مفتاح التحكم | ⑥ |
| البطارية | ⑦ |
| لمبة إضاءة نطاق العمل | ⑧ |
| مقبض جانبي | ⑨ |
| محدد عمق الثقب | ⑩ |
| أزرار تمرير ذات وظيفة إضافية لتفعيل بيان حالة الشحن | ⑪ |
| بيان حالة شحن البطارية | ⑫ |


2.3 الاستخدام المطابق للتعليمات

- المنتج المشروح عبارة عن مثقاب مطرقي مشغل بالبطارية. وهو مخصص لعمل الثقوب في الفولاذ والأخشاب والجدران وللثقب بالدق في الخرسانة والجدران، ولربط وحل البراغي.
- اقتصر على استخدام بطاريات أيونات الليثيوم Hilti من النوع B 22 مع هذا المنتج.
 - اقتصر على استخدام أجهزة الشحن المصرح بها من Hilti لهذه البطاريات. تجد المزيد من المعلومات لدى Hilti Store أو على موقع الإنترنت: www.hilti.group

3.3 بيان حالة بطارية أيونات الليثيوم

يمكن إظهار حالة الشحن عند استخدام بطاريات أيونات الليثيوم من خلال النقر على أحد أزرار التحرير.

الحالة	الاستعمال
4 لمبات LED تضيء.	حالة الشحن: 75 % إلى 100 %
3 لمبات LED تضيء.	حالة الشحن: 50 % إلى 75 %
لمبتا LED تضيئان.	حالة الشحن: 25 % إلى 50 %
لمبة LED واحدة تضيء.	حالة الشحن: 10 % إلى 25 %
لمبة LED واحدة تومض.	حالة الشحن: > 10 %

أثناء العمل وبعده مباشرة لا يمكن الاستعلام عن حالة الشحن. في حالة وميض لمبات LED الخاصة ببيان حالة شحن البطارية يرجى مراعاة الإرشادات الواردة في موضوع تمرير الأخطاء.

4.3 مجموعة التجهيزات الموردة

المثقاب المطرقي، المقبض الجانبي، محدد العمق، دليل الاستعمال. يتم تقديم وحدة الحماية من الغبار TE DRS-S كملحق للعمل دون تصاعد الغبار. تجد المزيد من منتجات النظام المسموح بها للمنتج الخاص بك لدى متجر Hilti Store أو على موقع الإنترنت: www.hilti.group



1.4 المثقاب المطرقي

TE 2-A22	
21.6 فلط	الجهد الكهربائي الاسمي
3.3 كجم	الوزن حسب EPTA Procedure 01 شاملا البطارية B22/2.6
4 مم ... 16 مم	نطاق الثقب في الخرسانة/الجدران (الثقب المطرقي)
0 مم ... 10 مم	نطاق الثقب في المعدن (ريشة ثقب مصممة)
180 مم	أقصى طول لمحدد العمق

2.4 قيم الضوضاء والاهتزاز طبقا للمواصفة EN 62841

تم قياس ضغط الصوت وقيم الاهتزاز الواردة في هذا الدليل طبقا لأحد معايير القياس المحددة ويمكن الاستعانة بها في إجراء مقارنة بين الأدوات الكهربائية مع بعضها البعض. وهي مناسبة أيضا لتقدير حجم المخاطر بصورة أولية.

المواصفات الواردة تتعلق بالاستخدامات الأساسية للأداة الكهربائية. أما إذا تم استخدام الأداة الكهربائية في تطبيقات أخرى مع أدوات شغل مخالفة للمواصفات أو دون صيانة كافية، ففي هذه الحالة قد تختلف المواصفات. وقد يزيد هذا من نسبة المخاطر طوال مدة العمل بصورة واضحة.

وللحصول على تقدير دقيق لحجم المخاطر ينبغي أيضا مراعاة الأوقات التي يتم فيها إيقاف الجهاز أو التي يتم فيها تشغيل الجهاز ولكن دون استخدام حقيقي. وقد يقلل هذا من نسبة المخاطر طوال مدة العمل بصورة واضحة. احرص على اتخاذ إجراءات إضافية للسلامة من شأنها حماية المستخدم من تأثير الضجيج وأو الاهتزازات مثل: صيانة الأداة الكهربائية وأدوات الشغل والحفاظ على الأيدي في حالة دافئة وتنظيم مراحل العمل.

معلومات الضجيج

103 ديسيبل (A)	مستوى شدة الصوت (L_{WA})
92 ديسيبل (A)	مستوى ضغط الصوت المنبعث (L_{pA})
3 ديسيبل (A)	نسبة التفاوت (قيم الضجيج) (K_{WA} و K_{pA})

قيم الاهتزاز الإجمالية

2.5 م/ثانية ²	B 22/2.6 Li-Ion (01)	الثقب في المعدن ($a_{h,th}$)
12.7 م/ثانية ²	B 22/2.6 Li-Ion (01)	الثقب بالطرق في الخرسانة ($a_{h,th}$)
1.5 م/ثانية ²		نسبة التفاوت (قيم الاهتزاز الإجمالية)

3.4 البطارية

21.6 فلط	جهد تشغيل البطارية
17- ... 60 °م	درجة الحرارة المحيطة أثناء التشغيل
20- ... 40 °م	درجة حرارة التخزين
10- ... 45 °م	درجة حرارة البطارية عند بدء الشحن

5 الاستعمال
1.5 التحضير للعمل
تحذير

خطر الإصابة من خلال التشغيل غير المقصود!

- ◀ تأكد قبل إدخال البطاريات أن الجهاز المختص مطفأ.
- ◀ اخلع البطارية قبل إجراء عمليات ضبط الجهاز أو تغيير أجزاء الملحقات التكميلية.

تراعى إرشادات الأمان والإرشادات التحذيرية الواردة في هذا المستند وعلى الجهاز.



1.1.5 تركيب المقبض الجانبي 4

1. أدر المقبض لفك وسيلة تثبيت (شريط الشد) المقبض الجانبي.
2. أدخل وسيلة التثبيت (شريط الشد) من الأمام عبر طرف تركيب الأدوات وصولاً إلى الحز المخصص لذلك.
3. اضبط المقبض الجانبي في الوضع المرغوب.
4. أدر المقبض لشد وسيلة تثبيت (شريط الشد) المقبض الجانبي.

2.1.5 تركيب البطارية 2

1. قم بتركيب البطارية في حامل الجهاز إلى أن تثبت بصوت مسموع.
2. تفحص البطارية من حيث ثباتها في موضعها بشكل جيد.

3.1.5 خلع البطارية 3

1. اضغط على أزرار تحرير البطارية.
2. اخلع البطارية بجذبها إلى الخلف.

4.1.5 تركيب أداة الشغل 3

1. قم بتزليق طرف إدخال أداة الشغل قليلاً.
 - ◀ اقتصر على استخدام الشحم الأصلي من Hilti. قد يتسبب نوع الشحم غير الصحيح في الإضرار بالجهاز.
2. أدخل أداة الشغل في طرف تركيب الأدوات حتى النهاية واطرکہا تثبت في موضعها.
3. بعد التركيب اختبر مدى إحكام القفل من خلال شد الأداة.
 - ◀ المنتج جاهز للتشغيل.

5.1.5 فك أداة الشغل 3

⚠️ احترس:

خطر الإصابة بسبب أداة الشغل! تكون أداة الشغل ساخنة وحادة الحواف.
 ◀ ارتد قفازات واقية عند تغيير أداة الشغل.

◀ قم بإرجاع وسيلة تأمين الأداة حتى النهاية وأخرج أداة الشغل.

6.1.5 تركيب محدد العمق (اختياري) 7

1. أدر المقبض لفك وسيلة تثبيت (شريط الشد) المقبض الجانبي.
2. أدخل محدد العمق من الأمام في الثقبين الدليليين المخصصين لذلك.
3. أدر المقبض لشد وسيلة تثبيت (شريط الشد) المقبض الجانبي.

2.5 العمل


⚠️ احترس:

خطر حدوث أضرار من خلال الاستعمال الخاطئ!

◀ لا تقم بالضغط على مفاتيح اتجاه الدوران و/أو اختيار الوظيفة أثناء التشغيل.

تراجع إرشادات الأمان والإرشادات التحذيرية الواردة في هذا المستند وعلى الجهاز.

1.2.5 إضاءة مكان العمل

يتم تفعيل لمبة LED أوتوماتيكياً عند الضغط على مفتاح التحكم. بعد ترك مفتاح التحكم تنطفئ لمبة LED ببطء. 

◀ اضغط على مفتاح التحكم.

2.2.5 اتجاه الدوران

- ◀ اضبط اتجاه الدوران.
- ◀ فيثبت المفتاح في هذا الوضع.



3.2.5 الثقب بدون طرق

- اضبط مفتاح اختيار الوظيفة على هذا الرمز:

4.2.5 الثقب بالطرق

- اضبط مفتاح اختيار الوظيفة على هذا الرمز:

6 العناية والصيانة

1.6 العناية والصيانة

تحذير

خطر الإصابة عند تكون البطارية مركبة !

- احرص على خلع البطارية دائما قبل جميع أعمال الإصلاح والعناية!

العناية بالمنتج

- احرص على إزالة الاتساخات شديدة الالتصاق مع توخي الحرص.
- في حالة وجودها، قم بتنظيف فتحات التهوية بحرص باستخدام فرشاة جافة وناعمة.
- قم بتنظيف جسم المنتج باستخدام قطعة قماش مبللة بعض الشيء. لا تستخدم مواد عناية محتوية على سيليكون، نظراً لأنها قد تؤدي إلى تلف الأجزاء البلاستيكية.
- استخدم قطعة قماش نظيفة وجافة لتنظيف ملامسات المنتج.

العناية ببطاريات أيونات الليثيوم

- لا تقم مطلقاً باستخدام بطارية ذات فتحات تهوية مسدودة. قم بتنظيف فتحات التهوية بحرص باستخدام فرشاة جافة وناعمة.
- تجنب تعريض البطارية للغبار أو الاتساخات دون داع. لا تقم مطلقاً بتعريض البطارية للرطوبة المرتفعة (على سبيل المثال، غمرها في الماء أو تركها تحت الأمطار).
- في حالة بلل البطارية، تعامل معها كبطارية تالفة. اعزل البطارية في وعاء غير قابل للاشتعال وتوجه إلى مركز خدمة Hilti.
- حافظ على البطارية خالية من الزيت والشحم الخارجي. لا تسمح للغبار أو الاتساخات بالتراكم دون داع على البطارية. قم بتنظيف البطارية باستخدام فرشاة جافة وناعمة أو قطعة قماش نظيفة وجافة. لا تستخدم مواد عناية محتوية على سيليكون، نظراً لأنها قد تؤدي إلى تلف الأجزاء البلاستيكية.
- لا تلمس ملامسات البطارية ولا تقم بإزالة الشحم الموجود من قبل المصنع عن الملامسات.
- قم بتنظيف جسم المنتج باستخدام قطعة قماش مبللة بعض الشيء. لا تستخدم مواد عناية محتوية على سيليكون، نظراً لأنها قد تؤدي إلى تلف الأجزاء البلاستيكية.

الصيانة

- احرص بصورة منتظمة على فحص الأجزاء المرئية من حيث وجود أضرار وافحص عناصر الاستعمال من حيث كفاءتها الوظيفية.
- لا تقم بتشغيل الجهاز في حالة وجود أضرار و/أو اختلالات وظيفية. احرص على إصلاح الجهاز على وجه السرعة لدى خدمة Hilti.
- بعد أعمال العناية والإصلاح قم بتركيب جميع تجهيزات الحماية وافحصها من حيث الأداء الوظيفي السليم.

للتشغيل الآمن اقتصر على استخدام قطع الغيار الأصلية وخامات الشغل. تجد قطع الغيار وخامات الشغل والملحقات المصراع بها من Hilti للمنتج الخاص بك في متجر Hilti Store أو على موقع الإنترنت: www.hilti.group

2.6 تنظيف غطاء الحماية من الغبار

- قم بتنظيف غطاء الحماية من الغبار الموجود على ظرف تركيب الأدوات بصفة دورية باستخدام فوطة نظيفة جافة.
- قم بتنظيف شفة الإحكام عن طريق مسحها بحرص وقم بتشميمها مرة أخرى بقليل من شحم Hilti.
- يلزم تغيير غطاء الحماية من الغبار في حالة تلف شفة الإحكام.



1.7 نقل وتخزين أدوات الشغل العاملة بطارية والبطاريات
النقل
⚠️ احترس:
التشغيل غير مقصود عند النقل !

◀ قم بنقل المنتج دائماً بدون البطاريات!

- ◀ اخلع البطارية/البطاريات.
- ◀ لا تقم بنقل البطاريات بكميات كبيرة. ينبغي أثناء النقل حماية البطاريات من الاصطدام العنيف والاهتزازات، وكذلك عزلها عن أية مواد موصلة للكهرباء أو أية بطاريات أخرى، وذلك حتى لا تتلامس مع أقطاب بطاريات أخرى ومن ثم حدوث قفلة كهربائية. **احرص على مراعاة تعليمات النقل المحلية للبطاريات.**
- ◀ لا يجوز إرسال البطاريات عن طريق البريد. توجه إلى شركة شحن، إذا كنت ترغب في إرسال بطاريات غير تالفة.
- ◀ افحص المنتج والبطاريات من حيث وجود أضرار قبل كل استخدام وقبل وبعد النقل لمسافة طويلة.

التخزين
⚠️ تحذير
أضرار غير مقصودة بسبب البطاريات التالفة أو التي بها تسريب.!

◀ قم بتخزين المنتج دائماً بدون البطاريات!

- ◀ احرص على تخزين المنتج والبطاريات في مكان بارد وجاف. احرص على مراعاة القيم الحدية لدرجات الحرارة الواردة في المواصفات الفنية.
- ◀ لا تمتظ بالبطاريات على جهاز الشحن. قم دائماً بإزالة البطارية من الشاحن بعد انتهاء عملية الشحن.
- ◀ لا تقم أبداً بتخزين البطاريات تحت أشعة الشمس أو في مصادر الحرارة أو خلف الزجاج.
- ◀ احرص على تخزين المنتج والبطاريات والاحتفاظ به بعيداً عن متناول الأطفال والأشخاص غير المصرح لهم.
- ◀ افحص المنتج والبطاريات من حيث وجود أضرار قبل كل استخدام وقبل وبعد التخزين لفترة طويلة.

8 تقصي الأخطاء
1.8 المساعدة في حالات الاختلالات

عند حدوث اختلالات غير مذكورة في الجدول أو يتعدى عليك معالجتها بنفسك، فيرجى التوجه إلى مركز خدمة Hilti.

2.8 لا يكون المثقاب المطرقي جاهزاً للعمل

الخلل	السبب المحتمل	الحل
المثقاب المطرقي لا يبدأ في العمل.	تحميل زائد على المثقاب المطرقي.	◀ قم بإيقاف المثقاب المطرقي، واخلع البطارية ولا تواصل استخدام المثقاب المطرقي.
لمبات LED لا تشير لشيء.	لم يتم إدخال البطارية حتى النهاية.	◀ قم بتثبيت البطارية حتى سماع صوت طقطقة مزدوجة.
	فراغ شحنة البطارية.	◀ قم بتغيير البطارية واشحن البطارية الفارغة.
	البطارية ساخنة للغاية أو باردة للغاية.	◀ اعمل على توفير درجة حرارة العمل الموصى بها للبطارية.
1 لمبة LED تومض.	فراغ شحنة البطارية.	◀ قم بتغيير البطارية واشحن البطارية الفارغة.
	البطارية ساخنة للغاية أو باردة للغاية.	◀ اعمل على توفير درجة حرارة العمل الموصى بها للبطارية.
4 لمبات LED تومض.	تحميل زائد على المثقاب المطرقي لفترة قصيرة.	◀ اترك مفتاح التحكم واضغط عليه مجدداً.
	الحماية من السخونة المفرطة.	◀ اترك المثقاب المطرقي يبرد و قم بتنظيف فتحات التهوئة.



الخلل	السبب المحتمل	الحل
لا يتولد طرق.	المثقاب المطرقي بارد للغاية.	ضع المثقاب المطرقي على الأرض واتركه يدور على الفارغ. عند اللزوم كرر هذه العملية حتى يعمل الطارق.
	مفتاح اختيار الوظيفة مضبوط على وضع "الثقب بدون دق"	اضبط مفتاح اختيار الوظيفة على وضع "الثقب المطرقي"
لا يمكن الضغط على مفتاح التحكم أو المفتاح مقفل.	مفتاح تحويل الدوران جهة اليمين/اليسار في الوضع الأوسط.	اضغط على مفتاح تحويل الدوران جهة اليمين/اليسار إلى اليمين أو اليسار.
بريمة الجهاز لا تدور.	تم تجاوز درجة حرارة التشغيل المسموح بها للوحدة الإلكترونية بالمثقاب المطرقي.	اترك المثقاب المطرقي يبرد.
	فراغ شحنة البطارية.	قم بتغيير البطارية واشحن البطارية الفارغة.
المثقاب المطرقي يتوقف أو توماتيكيا.	وسيلة الحماية من التحميل الزائد تقوم بعملها.	اترك مفتاح التحكم. اترك المثقاب المطرقي يبرد. اضغط مجددا على مفتاح التحكم. قم بتخفيف الحمل عن الجهاز.
شحنة البطارية تفرغ بشكل أسرع من المعتاد.	حالة البطارية ليست مثالية.	قم بتغيير البطارية.
البطارية لا تثبت بصوت "طققة مزدوجة" مسموع.	أطراف تثبيت البطارية متسخة.	قم بتنظيف أطراف التثبيت ثم قم بتركيب البطارية مجددا.
تنشأ سخونة شديدة بالمثقاب المطرقي أو البطارية.	عطل كهربائي	قم بإيقاف المثقاب المطرقي على الفور. قم بإخراج البطارية وافحصها جيدا. واتركها تبرد. اتصل بخدمة Hilti.
	تحميل زائد على المثقاب المطرقي (تجاوز حد الاستخدام).	اختر جهازا مناسباً لمجال الاستخدام.
الأداة لا تتحرر من وضع إحكام التثبيت.	لم تقم بإرجاع طرف تركيب الأدوات حتى النهاية.	قم بإرجاع وسيلة إحكام قفل الأداة حتى النهاية وأخرج الأداة.
الأداة لا تثقب.	المثقاب المطرقي مضبوط على وضع الدوران جهة اليسار.	اجعل مفتاح تحويل الدوران جهة اليمين/اليسار على وضع الدوران جهة اليمين.

9 التكوين

أجهزة Hilti مصنوعة بنسبة كبيرة من مواد قابلة لإعادة التدوير. يشترط لإعادة التدوير أن يتم فصل الغامات بشكل سليم فنيا. في العديد من الدول تقوم شركة Hilti باستغلال الأجهزة القديمة لإعادة تدويرها. وللمعلومات حول ذلك اتصل بخدمة عملاء Hilti أو الموزع القريب منك.

لا تعلق الأدوات الكهربائية، الأجهزة الإلكترونية والبطاريات ضمن القمامة المنزلية!

10 ضمان الجبة الصانعة

في حالة وجود أية استفسارات بخصوص شروط الضمان، يرجى التوجه إلى وكيل Hilti المحلي التابع لك.



Oriģinālā lietošanas instrukcija

1 Informācija par lietošanas instrukciju

1.1 Par šo lietošanas instrukciju

- Pirms ekspluatācijas sākšanas obligāti izlasiet šo lietošanas instrukciju. Tas ir priekšnoteikums darba drošībai un izstrādājuma lietošanai bez traucējumiem.
- Ievērojiet drošības norādījumus un brīdinājumus, kas atrodami šajā lietošanas instrukcijā un uz izstrādājuma.
- Vienmēr glabājiet lietošanas instrukciju izstrādājuma tuvumā un, nododot izstrādājumu citai personai, vienmēr dotiet līdzīgu šo lietošanas instrukciju.

1.2 Apzīmējumu skaidrojums

1.2.1 Brīdinājumi

Brīdinājumi pievērš uzmanību bīstamībai, kas pastāv, strādājot ar izstrādājumu. Tiek lietoti šādi signālvārdi:



BĪSTAMI!

BĪSTAMI! !

- ▶ Pievērš uzmanību draudošām briesmām, kas var izraisīt smagus miesas bojājumus vai nāvi.



BRĪDINĀJUMS!

BRĪDINĀJUMS! !

- ▶ Pievērš uzmanību iespējamam apdraudējumam, kas var izraisīt smagas traumas vai pat nāvi.



IEVĒROT PIESARDZĪBU!

UZMANĪBU! !

- ▶ Norāda uz iespējami bīstamām situācijām, kas var izraisīt traumas vai materiālos zaudējumus.

1.2.2 Simboli lietošanas instrukcijā

Šajā lietošanas instrukcijā tiek izmantoti šādi simboli:

	Ievērojiet lietošanas instrukciju
	Norādījumi par lietošanu un cita noderīga informācija
	Rīcība ar otrreiz pārstrādājamiem materiāliem
	Neizmetiet elektroiekārtas un akumulatorus sadzīves atkritumos.
	Hilti Litija jonu akumulators
	Hilti Lādētājs

1.2.3 Attēlos lietotie simboli

Attēlos tiek lietoti šādi simboli:

	Šis skaitļi norāda uz attiecīgajiem attēliem, kas atrodami šīs lietošanas instrukcijas sākumā.
	Numerācija attēlos norāda uz svarīgām darbībām vai detaļām, kas ir svarīgas noteiktām darbībām. Tekstā šīs darbības vai detaļas ir izceltas, apzīmējot ar atbilstošiem numuriem, piemēram, (3) .
	Pozīciju numuri tiek lietoti attēlā Pārskats un norāda uz leģendas numuriem sadaļā Izstrādājuma pārskats .
	Šī simbola uzdevums ir pievērst īpašu uzmanību izstrādājuma lietošanas laikā.



1.3 Simboli atkarībā no izstrādājuma

1.3.1 Simboli uz izstrādājuma

Uz izstrādājuma var tikt lietoti šādi simboli:

	Urbšana bez triecienu funkcijas
	Urbšana ar triecienu funkciju (triecienuurbšana)
	Rotācija pa labi / rotācija pa kreisi
n_0	Nominālais apgriezīnu skaits tukšgaitā
/min	Apgriezieni minūtē
	Līdzstrāva
Li-Ion	Litija jonu akumulators
	Lietojamā Hilti litija jonu akumulatoru sērija. Ņemiet vērā informāciju, kas iekļauta nodaļā Nosacījumiem atbilstīga lietošana .
	Nekādā gadījumā nelietojiet akumulatoru kā triecienuinstrumentu.
	Sargājiet akumulatoru no kritieniem. Nelietojiet akumulatoru, ja tas ir bijis pakļauts triecienam vai tam ir radušies cita veida bojājumi.
	Iekārta atbalsta tehnoloģiju NFC, kas ir saderīga ar iOS un Android platformām.

1.4 Izstrādājuma informācija

izstrādājumi ir paredzēti profesionāliem lietotājiem, un to darbināšanu, apkopi un tehniskā stāvokļa uzturēšanu drīkst veikt tikai kvalificēts, atbilstīgi apmācīts personāls. Personālam ir jābūt labi informētam par iespējamajiem riskiem, kas var rasties darba laikā. Izstrādājums un tā papildaprīkojums var radīt bīstamas situācijas, ja to uztic neprofesionālam personālam vai nelieto atbilstīgi nosacījumiem. Iekārtas tipa apzīmējums un sērijas numurs ir norādīti uz identifikācijas datu plāksnītes.

- ▶ Ierakstiet sērijas numuru zemāk redzamajā tabulā. Izstrādājuma dati jānorāda, vērsties mūsu pārstāvniecībā vai servisā.

Izstrādājuma dati

Tips:	TE 2-A22
Paaudze:	02
Sērijas Nr.:	

1.5 Atbilstības deklarācija

Uzņemoties pilnu atbildību, mēs apliecinām, ka šeit aprakstītais izstrādājums atbilst šādām direktīvām un standartiem: Atbilstības deklarācijas attēls ir atrodams šīs dokumentācijas beigās.

Tehniskā dokumentācija ir saglabāta šeit:

Hilti Entwicklungsgesellschaft mbH | Zulassung Geräte | Hiltistraße 6 | 86916 Kaufering, DE

2 Drošība

2.1 Vispārīgi drošības norādījumi par darbu ar elektroiekārtām

⚠ BRĪDINĀJUMS! Iepazīstieties ar visiem drošības norādījumiem, instrukcijām, attēliem un tehniskajiem parametriem, kas attiecas uz šo elektroiekārtu. Turpmāk izklāstīto instrukciju neievērošana var izraisīt elektrošoku, ugunsgrēku un/vai nopietnas traumas.

Saglabājiet visus drošības norādījumus un instrukcijas turpmākai lietošanai.

Drošības norādījumos lietotais apzīmējums "elektroiekārta" attiecas uz iekārtām ar tīkla barošanu (ar barošanas kabeli) vai iekārtām ar barošanu no akumulatora (bez kabeļa).



Drošība darba vietā

- ▶ **Uzturiet darba vietā tīrību un kārtību un nodrošiniet labu apgaismojumu.** Nekārtīgā darba vietā vai sliktā apgaismojumā var viegli notikt nelaimes gadījums.
- ▶ **Nestrādājiet ar elektroiekārtu sprādzienbīstamā vidē, kur atrodas uzliesmojoši šķidrumi, gāzes vai putekļi.** Darbības laikā elektroiekārtas mēdz dzirksteļot, un tas var izraisīt viegli uzliesmojošu putekļu vai tvaiku aizdegšanos.
- ▶ **Lietojot elektroiekārtu, neļaujiet nepiederošām personām un jo īpaši bērniem tuvoties darba vietai.** Citu personu klātbūtne var novērst uzmanību, un tā rezultātā jūs varat zaudēt kontroli pār iekārtu.

Elektrodrošība

- ▶ **Elektroiekārtas kontaktdakšai jāatbilst elektrotīkla kontaktligzdai. Kontaktdakšas konstrukciju nedrīkst nekādā veidā mainīt. Kopā ar elektroiekārtām, kurām ir aizsargzemejums, nedrīkst lietot adapteru spraudņus.** Neizmaiņas konstrukcijas kontaktdakša, kas atbilst kontaktligzdai, ļauj samazināt elektrošoka risku.
- ▶ **Darba laikā nepieskarieties sazemētiem priekšmetiem, piemēram, caurulēm, radiatoriem, plītiem vai ledusskapjiem.** Pieskaroties sazemētām virsmām, pieaug risks saņemt elektrisko triecienu.
- ▶ **Nelietojiet elektroiekārtu lietus laikā, neturiet to mitrumā.** Mitrumam iekļūstot elektroiekārtā, pieaug risks saņemt elektrisko triecienu.
- ▶ **Nenesiet un nepakariniet elektroiekārtu aiz barošanas kabeļa un neraujiet aiz kabeļa, ja vēlaties atvienot iekārtu no elektrotīkla kontaktligzdas. Sargājiet barošanas kabeli no karstuma, eļļas, asām šķautnēm vai kustīgām detaļām.** Bojāts vai sapīņķerējis barošanas kabelis var kļūt par cēloni elektrošokam.
- ▶ **Darbinot elektroiekārtu ārpus telpām, izmantojiet tās pievienošanai vienīgi tādus pagarinātājkabeļus, kas ir paredzēti lietošanai brīvā dabā.** Lietojot elektrokabeļi, kas ir piemērots darbam ārpus telpām, samazinās elektrošoka risku.
- ▶ **Ja elektroiekārtas izmantošana slapjā vidē ir obligāti nepieciešama, lietojiet bojājumstrāvas aizsargslēdzi.** Bojājumstrāvas aizsargslēdža lietošana samazina elektrošoka risku.

Personiskā drošība

- ▶ **Strādājiet ar elektroiekārtu uzmanīgi, darba laikā saglabājiet paškontroli un rīkojieties saskaņā ar veselo saprātu.** Ar elektroiekārtu nedrīkst strādāt personas, kas ir nogurušas vai atrodas narkotiku, alkohola vai medikamentu ietekmē. Mirkļis neuzmanības, strādājot ar elektroiekārtu, var novest pie nopietnām traumām.
- ▶ **Izmantojiet individuālos aizsardzības līdzekļus un darba laikā vienmēr valkājiet aizsargbrilles.** Individuālo aizsardzības līdzekļu (putekļu aizsargmaskas, neslidošu apavu un aizsargķiveres vai ausu aizsargu) lietošana atbilstoši elektroiekārtas tipam un veicamā darba raksturam ļauj izvairīties no savainojumiem.
- ▶ **Nepieļaujiet iekārtas nekontrolētas ieslēgšanās iespēju.** Pirms pievienošanas elektrotīklam, akumulatora ievietošanas, elektroiekārtas satveršanas vai pārvietošanas pārliecinieties, ka tā ir izslēgta. Ja iekārtas pārvietošanas laikā pirksts atrodas uz slēdža vai ja ieslēgta iekārta tiek pievienota elektrotīklam, var notikt nelaimes gadījums.
- ▶ **Pirms elektroiekārtas ieslēgšanas jānoņem visi regulēšanas piederumi un uzgriežņu atslēgas.** Regulēšanas piederumi vai uzgriežņu atslēga, kas iekārtas ieslēgšanas brīdī atrodas iekārtā, var radīt traumas.
- ▶ **Izvairieties no nedabiskām pozām.** Darba laikā vienmēr saglabājiet līdzsvaru un nodrošinieties pret paslīdēšanu. Tas atvieglos elektroiekārtas vadību neparedzētās situācijās.
- ▶ **Izvēlieties darbam piemērotu apģērbu.** Darba laikā nenēsājiet brīvi plandošas drēbes un rotaslietas. Netuviniet matus, apģērbu un aizsargcimdus iekārtas kustīgajām daļām. Vaļīgas drēbes, rotaslietas un garī mati var ieķerties iekārtas kustīgajās daļās.
- ▶ **Ja elektroiekārtas konstrukcija ļauj pievienot putekļu nosūkšanas vai savākšanas ierīci, sekojiet, lai tā būtu pievienota un tiktu darbināta pareizi.** Putekļu nosūcēja lietošana samazina putekļu kaitīgo ietekmi.
- ▶ **Nezaudējiet modrību un neatkāpieties no elektroiekārtu lietošanas drošības noteikumu ievērošanas arī tad, ja lietojat attiecīgo elektroiekārtu bieži un kārtīgi to pārzināt.** Neuzmanība vienā sekundēs daļā var novest pie smagām traumām.

Elektroiekārtas lietošana un apkope

- ▶ **Nepārslogojiet elektroiekārtu.** Katram darbam izvēlieties piemērotu iekārtu. Elektroiekārta darbosies labāk un drošāk pie nominālās slodzes.
- ▶ **Nelietojiet elektroiekārtu, ja ir bojāts tās slēdzis.** Elektroiekārta, ko nevar ieslēgt un izslēgt, ir bīstama un nekavējoties jānodod remontā.



- ▶ **Pirms iestatījumu veikšanas, aprikojuma daļu nomaiņas vai iekārtas novietošanas uzglabāšanā atvienojiet kontaktakšus no elektrotīkla un/vai noņemiet noņemamo akumulatoru.** Šādi jūs novērsīsiet elektroiekārtas nejaušas ieslēgšanās risku.
- ▶ **Elektroiekārtu, kas netiek darbināta, uzglabājiet piemērotā vietā. Neļaujiet lietot iekārtu personām, kas nav iepazinušās ar tās funkcijām un izlasījušās šo lietošanas instrukciju.** Ja elektroiekārtu lieto nekompententas personas, tas var apdraudēt cilvēku veselību.
- ▶ **Rūpīgi veiciet elektroiekārtu un to piederumu apkopi. Pārbaudiet, vai kustīgās daļas darbojas bez traucējumiem un neķeras un vai kāda no daļām nav salauzta vai bojāta un tādējādi netraucē elektroiekārtas nevainojamu darbību. Raugieties, lai pirms iekārtas lietošanas tiktu nomaiņits vai saremontētas bojātās daļas.** Daudzi nelaimes gadījumi notiek tāpēc, ka elektroiekārtām nav nodrošināta pareiza apkope.
- ▶ **Griezējinstrumentiem vienmēr jābūt uzasinātiem un tīriem.** Rūpīgi kopti griezējinstrumenti ar asām šķautnēm retāk iestrēgst un ir vieglāk vadāmi.
- ▶ **Lietojiet elektroiekārtu, piederumus, maināmos instrumentus utt. saskaņā ar šiem norādījumiem. Jāņem vērā arī konkrētie darba apstākļi un veicamās operācijas īpatnības.** Elektroiekārtu lietošana citiem mērķiem, nekā to ir paredzējusi ražotājfirma, ir bīstama un var izraisīt neparedzamas sekas.
- ▶ **Raugieties, lai rokturu un satveršanas virsmas būtu sausas, tīras, nenotraipītas ar eļļu un smērvielām.** Ja rokturu vai satveršanas virsmas ir slidenas, nav iespējama droša elektroiekārtas vadība un kontrole neparedzamās situācijās.

Ar akumulatoru darbināmas iekārtas lietošana un apkope

- ▶ **Akumulatora uzlādei jālieto tikai ražotāja ieteiktie lādētāji.** Noteikta veida akumulatoriem paredzēts lādētājs kļūst ugunsbīstams, ja to izmanto ar cita veida akumulatoriem.
- ▶ **Izmantojiet elektroiekārtas barošanai tikai tai paredzētos akumulatorus.** Cita tipa akumulatoru lietošana var izraisīt iekārtas un/vai akumulatora aizdegšanos.
- ▶ **Laikā, kad akumulators ir atvienots no iekārtas, nepieļaujiet tā kontaktu saskaršanos ar saspriedēm, monētām, atslēgām, naglām, skrūvēm vai citiem nelieliem metāla priekšmetiem, kas varētu izraisīt īssavienojumu.** Ja starp akumulatora kontaktiem rodas īssavienojums, tas var sadegt vai kļūt par ugunsgrēka cēloni.
- ▶ **Nepareizi lietojot akumulatoru, no tā var izplūst šķidrums. Nepieļaujiet tā nokļūšanu uz ādas.** Ja tas tomēr nejaūsi ir noticis, noskalojiet ar ūdeni. Ja šķidrums iekļūst acīs, izskalojiet acis un nekavējoties vērsieties pie ārsta. No akumulatora izplūdušais šķidrums var izraisīt ādas kairinājumu vai apdegumus.
- ▶ **Nelietojiet bojātus vai modificētus akumulatorus.** Bojāti vai modificēti akumulatori var radīt neparedzamas situācijas un izraisīt ugunsgrēku, eksploziju vai traumas.
- ▶ **Nepakļaujiet akumulatoru uguns vai augstas temperatūras iedarbībai.** Uguns vai temperatūra virs 130 °C (265 °F) var izraisīt eksploziju.
- ▶ **Ievērojiet norādījumus par akumulatora lādēšanu un nekad nelādējiet akumulatoru vai ar akumulatoru darbināmo iekārtu ārpus lietošanas instrukcijā norādītā temperatūras diapazona.** Nepareiza lādēšana vai pieļaujamā temperatūras diapazona pārsniegšana var sabojāt akumulatoru un palielināt aizdegšanās risku.

Serviss

- ▶ **Uzdodiet elektroiekārtas remontu veikt tikai kvalificētam personālam, kas izmanto vienīgi oriģinālās rezerves daļas.** Tikai tā ir iespējams saglabāt iekārtas funkcionālo drošību.
- ▶ **Nekādā gadījumā neveiciet bojātu akumulatoru apkopi.** Jebkādus akumulatoru apkopes darbus drīkst veikt tikai ražotājs vai atbilstīgi pilnvarots klientu apkalpošanas dienests.

2.2 Drošības noteikumi darbam ar perforatoriem

Drošības norādījumi visiem darbiem

- ▶ **Lietojiet dzirdes aizsargapriekojumu.** Trokšņa iedarbība var izraisīt dzirdes zudumu.
- ▶ **Lietojiet kopā ar iekārtu piegādātos papildu rokturus.** Kontroles zudums var kļūt par cēloni traumām.
- ▶ **Ja darba laikā pastāv iespēja, ka instruments var nonākt saskarē ar apslēptiem elektriskajiem vadiem, vienmēr satveriet iekārtu aiz izolētajām rokturu virsmām.** Saskaroties ar spriegumam pieslēgtiem vadiem, spriegums tiek novadīts uz iekārtas metāla daļām, radot elektrošoka risku.

Drošības norādījumi darbam ar gariem urbjiem

- ▶ **Vienmēr sāciet urbšanas procesu ar mazāku apgriezību skaitu un tikai tad, kad urbis atrodas saskarē ar apstrādājamo materiālu.** Lielāka rotācijas ātruma gadījumā urbis, griežoties bez saskares ar apstrādājamo materiālu, var viegli saliekties un izraisīt traumas.
- ▶ **Nespiediet urbi ar pārāk lielu spēku un raugieties, lai spiediens tiktu izdarīts tikai urbja aksiālajā virzienā.** Urbji var viegli saliekties un salūzt vai izraisīt kontroles zudumu un traumas.



2.3 Papildnorādījumi par perforatora drošību

Personīgā drošība

- ▶ Lietojiet izstrādājumu un tā papildaprīkojumu tikai tad, ja tas ir nevainojamā stāvoklī.
- ▶ Nekādā gadījumā nemēģiniet ietekmēt izstrādājuma vai tā papildaprīkojuma funkcijas vai to pārveidot.
- ▶ Lietojiet kopā ar izstrādājumu piegādātos papildu rokturus. Kontroles zudums var kļūt par cēloni traumām.
- ▶ Pirms laušanas vai urbšanas darbiem, kas šķērso celtnes daļas, atbilstoši jānodrošina attiecīgās celtnes daļas pretējā puse. Atlūzusi materiāla fragmenti var izkrist caur atveri un/vai nokrist un savainot cilvēkus.
- ▶ Vienmēr stingri turiet iekārtu ar abām rokām aiz šim nolūkam paredzētajiem rokturiem. Raugieties, lai rokturi vienmēr būtu sausi un tīri.
- ▶ Ja darba laikā pastāv iespēja, ka instruments var nonākt saskarē ar apslēptiem elektriskajiem vadiem, vienmēr satveriet izstrādājumu aiz izolētajām virsmām. Saskaroties ar spriegumam pieslēgtiem vadiem, spriegums tiek novadīts uz iekārtas metāla daļām, radot elektrošoka risku.
- ▶ Izvairieties no saskares ar rotējošām daļām. Traumu risks!
- ▶ Izstrādājuma lietošanas laikā valkājiet acu aizsarglīdzekļus, aizsargķiveri, dzirdes aizsarglīdzekļus un piemērotus elpceļu aizsarglīdzekļus.
- ▶ Instrumenta nomaīņas laikā valkājiet aizsargcimdus. Saskare ar maināmo instrumentu var izraisīt grieztas traumas un apdegumus.
- ▶ Valkājiet aizsargbrilles vai masku. Materiāla šķembas var savainot ķermeni un acis.
- ▶ Putekļi, kas rodas slīpēšanas, griešanas un urbšanas laikā, var saturēt bīstamas ķīmikālijas. Daži piemēri: svins vai krāsas uz svina bāzes; kļieģeļi, betons un citi mūra materiāli, dabīgais akmens un citi silīkātus saturoši produkti; noteiktu veidu koksne, piemēram, skābardis, ozols un ķīmiska apstrādāta koksne; azbests vai azbestu saturoši materiāli. Nosakiet ekspozīcijas līmeni, kam pakļauts iekārtas lietotājs un tuvumā esošās personas, vadoties pēc apstrādājamo materiālu bīstamības kategorijas. Veiciet nepieciešamos pasākumus, lai ekspozīcija nesasniegtu kaitīgu līmeni, piemēram, lietojiet putekļu nosūkšanas sistēmu vai piemērotus elpceļu aizsardzības līdzekļus. Vispārīgie ekspozīcijas ierobežošanas pasākumi ir šādi:
 - ▶ darbs labi vēdināmās vietās,
 - ▶ izvairīšanās no ilgstošas saskares ar putekļiem,
 - ▶ putekļu novirzīšana projām no sejas un ķermeņa,
 - ▶ aizsargapgērba valkāšana un savārtītā apģērba mazgāšana ar ūdeni un ziepēm.
- ▶ Biežāk pārtrauciet darbu un izpildiet pirkstu vingrinājumus, kas uzlabo asinsriti. Ilgstoša darba gadījumā spēcīga vibrācija var radīt traucējumus pirkstu, roku vai plaukstu locītavu asinsvadu un nervu sistēmas funkcijās.

Elektrodrošība

- ▶ Pirms darba sākšanas pārbaudiet, vai darba zonā neatrodas nosegti elektrības vadi, gāzes vai ūdensapgādes caurules. Iekārtas ārējās metāla daļas var izraisīt elektriskās strāvas triecienu vai izraisīt eksploziju, ja darba laikā tiek bojāti elektriskie vadi, gāzes vai ūdens caurules.

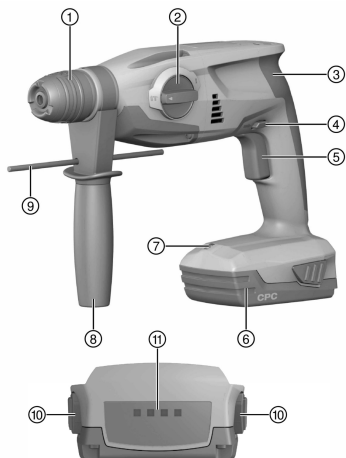
Rūpīga elektroiekārtu lietošana un apkope

- ▶ Nekavējoties izslēdziet izstrādājumu, ja nobloķējas darba instruments. Izstrādājums var tikt novirzīts uz sāniem.
- ▶ Pirms novietot izstrādājumu, nogaidiet, līdz pilnībā apstājas tā kustība.



3 Apraksts

3.1 Izstrādājuma pārskats 1



- ① Instrumenta patrona TE-C Click
- ② Funkcijas izvēles slēdzis
- ③ Rokturis
- ④ Labā / kreisā rotācijas virziena slēdzis ar ieslēgšanas bloķēšanu
- ⑤ Vadības slēdzis
- ⑥ Akumulators
- ⑦ Darba zonas apgaismojums
- ⑧ Sānu rokturis
- ⑨ Dziļuma atduris
- ⑩ Atbloķēšanas taustiņš ar papildu funkciju – uzlādes statusa indikācijas aktivēšanu
- ⑪ Akumulatora uzlādes statusa indikācija

3.2 Nosacījumiem atbilstīga lietošana

Aprakstītais izstrādājums ir perforators ar akumulatora barošanu. Tas ir paredzēts urbšanai tēraudā, kokā un mūrī, triecienurbšanai betonā un mūrī, kā arī skrūvju ieskrūvēšanai un izskrūvēšanai.

- Lietojiet šī izstrādājuma barošanai tikai sērijas B 22 **Hilti** litija jonu akumulatorus.
- Lietojiet šo akumulatoru uzlādēšanai tikai **Hilti** apstiprinātus lādētājus. Sīkāku informāciju jūs atradīsiet savā **Hilti Store** vai tīmekļvietnē www.hilti.group.

3.3 Litija jonu akumulatora indikācija

Lietojot litija jonu akumulatoru, uzlādes statusu iespējams apskatīties, īsi nospiežot vienu no atbloķēšanas taustiņiem.

Stavuss	Nozīme
Deg 4 LED.	Uzlādes stavuss: no 75 % līdz 100 %
Deg 3 LED.	Uzlādes stavuss: no 50 % līdz 75 %
Deg 2 LED.	Uzlādes stavuss: no 25 % līdz 50 %
1 LED deg.	Uzlādes stavuss: no 10 % līdz 25 %
1 LED mirgo.	Uzlādes stavuss: < 10 %

Darba laikā un uzreiz pēc tā pabeigšanas uzlādes statusa nolasīšana nav iespējama. Ja mirgo akumulatora uzlādes statusa indikācijas LED, lūdzu, ievērojiet nodaļas norādījumus "Traucējumu diagnostika".

3.4 Piegādes komplektācija

Perforators, sānu rokturis, dziļuma atdure, lietošanas instrukcija.

Putekļu nosūkšanas modulis TE DRS-S tiek piedāvāti kā papildaprīkojums, lai mazinātu putekļu uzplaušanu darba laikā.

Citus šim izstrādājumam izmantojamus sistēmas produktus meklējiet **Hilti Store** vai tīmekļvietnē: www.hilti.group



4 Tehniskie parametri

4.1 Perforators

	TE 2-A22
Nominālais spriegums	21,6 V
Svars saskaņā ar EPTA Procedure 01, ar akumulatoru B22/8.0	3,3 kg
Urbšanas diapazons betonā/mūrī (urbšana ar triecienu funkciju)	4 mm ... 16 mm
Urbuma izmēri metālā (bezserdes urbums)	0 mm ... 10 mm
Dziļuma atdures maksimālais garums	180 mm

4.2 Informācija par troksni un vibrāciju saskaņā ar EN 62841

Šajās instrukcijās norādītie lielumi, kas raksturo skaņas spiedienu un vibrāciju, ir noteikti ar standartizētas mērījumu metodes palīdzību, un tos var izmantot elektroiekārtu savstarpējai salīdzināšanai. Tos var izmantot arī trokšņa un vibrācijas iedarbības pagaidu novērtējumam.

Norādītie parametri attiecas uz elektroiekārtas galvenajiem lietošanas veidiem. Taču, ja elektroiekārta tiek izmantota citos nolūkos, ar citiem maināmajiem instrumentiem vai netiek nodrošināta pietiekama tās apkope, parametri var atšķirties no norādītajiem. Tas var ievērojami palielināt trokšņa un vibrācijas iedarbību visā darba laikā.

Lai precīzi novērtētu iedarbību, jāņem vērā arī laiks, cik ilgi elektroiekārta ir izslēgta vai ir ieslēgta, taču faktiski netiek darbināta. Tas var būtiski samazināt iedarbību kopējā darba laikā.

Jāparedz papildu drošības pasākumi, lai aizsargātu iekārtas lietotāju pret trokšņa un/vai vibrācijas iedarbību, piemēram, elektroiekārtas un apkope, roku turēšana siltumā, darba procesu organizācija.

Informācija par troksni

Skaņas jaudas līmenis (L_{WA})	103 dB(A)
Skaņas spiediena līmenis (L_{pA})	92 dB(A)
Pielaide (skaņas rādītāji) (K_{pA} un K_{WA})	3 dB(A)

Kopējie vibrācijas rādītāji

Urbšana metālā ($a_{h,D}$)	B 22/2.6 Li-Ion (01)	2,5 m/s ²
Triecienuurbšana betonā ($a_{h,HD}$)	B 22/2.6 Li-Ion (01)	12,7 m/s ²
Pielaide (kopējā vibrācijas vērtība)		1,5 m/s ²

4.3 Akumulators

Akumulatora darba spriegums	21,6 V
Apkārtējā temperatūra darbības laikā	-17 °C ... 60 °C
Uzglabāšanas temperatūra	-20 °C ... 40 °C
Akumulatora temperatūra uzlādes sākumā	-10 °C ... 45 °C

5 Lietošana

5.1 Sagatavošanās darbam

BRĪDINĀJUMS!

Traumu risks nejaušas iedarbošanās gadījumā!

- ▶ Pirms akumulatora ievietošanas pārlicinieties, ka attiecīgais izstrādājums ir izslēgts.
- ▶ Pirms iekārtas iestāšanās vai piederumu maiņas izņemiet no iekārtas akumulatoru.

Ievērojiet drošības norādījumus un brīdinājumus, kas atrodami šajā dokumentācijā un uz izstrādājuma.

5.1.1 Sānu roktura montāža

1. Pagrieziet rokturi, lai atbrīvotu sānu roktura turētāju (fiksācijas lenti).



2. No priekšpuses uzbīdīet turētāju (fiksācijas lenti) pāri instrumenta patronai līdz tam paredzētajai rievai.
3. Novietojiet sānu rokturi nepieciešamajā pozīcijā.
4. Pagrieziet rokturi, lai nosprīgotu sānu roktura turētāju (fiksācijas lenti).

5.1.2 Akumulatora ievietošana 2

1. Ievietojiet akumulatoru iekārtas stiprinājumā, līdz tas dzirdami nofiksējas.
2. Pārbaudiet, vai akumulators ir droši nofiksēts.

5.1.3 Akumulatora izņemšana 3

1. Nospiediet akumulatora atbloķēšanas taustiņus.
2. Izvelciet akumulatoru virzienā uz aizmuguri.

5.1.4 Maināmā instrumenta ievietošana 5

1. Viegli ieziēdīet maināma instrumenta gaļu ar smērvielu.
 - ▶ Lietojiet tikai oriģinālās Hilti smērvielas. Neatbilstīgas smērvielas var izraisīt iekārtas bojājumus.
2. Līdz galam ievietojiet maināmo instrumentu patronā un ļaujiet tam nofiksēties.
3. Pēc instrumenta ievietošanas pavelciet to, lai pārbaudītu, vai tas ir droši nofiksēts.
 - ▶ Izstrādājums ir gatavs lietošanai.

5.1.5 Maināmā instrumenta izņemšana 6

IEVĒROT PIESARDZĪBU!

Traumu risks, ko rada darba instruments! Maināmais instruments var būt karsts vai ar asām malām.

- ▶ Darba instrumenta nomaiņas laikā valkājiet aizsargcimdus.

- ▶ Līdz galam atvelciet maināmā darba instrumenta fiksācijas patronu un izņemiet instrumentu.

5.1.6 Dziļuma atdures (papildaprīkojums) montāža 7

1. Pagrieziet rokturi, lai atbrīvotu sānu roktura turētāju (fiksācijas lenti).
2. No priekšpuses iebīdīet dziļuma atduri šim nolūkam paredzētajās 2 vadotnes atverēs.
3. Pagrieziet rokturi, lai nosprīgotu sānu roktura turētāju (fiksācijas lenti).

5.2 Darbs

IEVĒROT PIESARDZĪBU!

Bojājumu risks nepareizas lietošanas gadījumā!

- ▶ Nepārslēdziet rotācijas virziena un/vai funkciju izvēles slēdzi laikā, kad iekārta darbojas.

Ievērojiet drošības norādījumus un brīdinājumus, kas atrodami šajā dokumentācijā un uz izstrādājuma.

5.2.1 Darba vietas apgaismojums



LED automātiski ieslēdzas, kad tiek nospiests vadības slēdzis. Pēc vadības slēdža atlaišanas LED apgaismojums lēnām izdziest.

- ▶ Nospiediet vadības slēdzi.

5.2.2 Rotācijas virziens

- ▶ Iestatiet rotācijas virzienu.
 - ▶ Slēdzis nofiksējas šādā pozīcijā.

5.2.3 Urbšana bez triecienu funkcijas 3

- ▶ Iestatiet funkciju pārslēdzēju uz šādu simbolu: .

5.2.4 Urbšana ar triecienu funkciju 3

- ▶ Iestatiet funkciju pārslēdzēju uz šādu simbolu: .



6 Apkope un uzturēšana

6.1 Apkope un uzturēšana

BRĪDINĀJUMS!

Traumu risks ievietota akumulatora gadījumā !

- ▶ Pirms jebkādiem apkopes un tehniskā stāvokļa uzturēšanas darbiem vienmēr izņemiet akumulatoru!

Izstrādājuma kopšana

- Uzmanīgi notīriet pielipušos netīrumus.
- Ja izstrādājumam ir ventilācijas atveres, uzmanīgi iztīriet tās ar sausu, mīkstu birstīti.
- Notīriet korpusa virsmas tikai ar nedaudz samitrinātu drāniņu. Nelietojiet silikonu saturošus kopšanas līdzekļus, jo tie var sabojāt plastmasas daļas.
- Izstrādājuma kontaktu tīrīšanai lietojiet tīru un sausu drāniņu.

Litija jonu akumulatoru apkope

- Nekādā gadījumā nelietojiet akumulatoru ar nosprostotām ventilācijas atverēm. Uzmanīgi iztīriet ventilācijas atveres ar sausu, mīkstu birstīti.
- Nepakļaujiet akumulatoru nevajadzīgai putekļu vai netīrumu ietekmei. Nekādā gadījumā nepakļaujiet akumulatoru spēcīgam mitrumam (piemēram, nemērciet to ūdenī un neatstājiet lietū). Ja akumulators ir samircis, rīkojieties ar to tāpat, kā jūs rīkotos ar bojātu akumulatoru. Ievietojiet to izolētā nedegošā materiāla tvertnē un vērsieties **Hilti** servisā.
- Raugieties, lai akumulators nebūtu savārtīts ar nepiederīgu eļļu un smērvielām. Raugieties, lai uz akumulatora nevajadzīgi neuzkrātos putekļi un netīrumi. Notīriet akumulatoru ar sausu, mīkstu birstīti vai tīru un sausu drāniņu. Nelietojiet silikonu saturošus kopšanas līdzekļus, jo tie var sabojāt plastmasas daļas. Nepieskarieties akumulatora kontaktiem un neattīriet kontaktus no rūpnīcā uzklātās smērvielas.
- Notīriet korpusa virsmas tikai ar nedaudz samitrinātu drāniņu. Nelietojiet silikonu saturošus kopšanas līdzekļus, jo tie var sabojāt plastmasas daļas.

Uzturēšana

- Regulāri pārbaudiet visas redzamās daļas, lai pārliecinātos, ka tās nav bojātas un funkcionē nevainojami.
- Nelietojiet izstrādājumu, ja tam ir radušies bojājumi un/vai funkciju traucējumi. Nekavējoties nododiet izstrādājumu **Hilti** servisā remonta veikšanai.
- Pēc apkopes un remonta darbiem piemontējiet vietā visas aizsargierīces un pārbaudiet, vai tās darbojas nevainojami.



Lai izstrādājuma lietošana būtu droša, izmantojiet tikai oriģinālās rezerves daļas un patēriņa materiālus. Rezerves daļas, patēriņa materiālus un piederumus, kuru lietošanu kopā ar šo izstrādājumu akceptē **Hilti**, var atrast **Hilti Store** vai tīmekļvietnē: www.hilti.group

6.2 Putekļu aizsarga tīrīšana

- ▶ Putekļu aizsargs, kas atrodas pie instrumenta patronas, jānotīra ar tīru un sausu drāniņu.
- ▶ Blīvējuma apmale uzmanīgi jānotīra un viegli jāieziež ar **Hilti** smērvielu.
- ▶ Ja blīvējuma apmale ir bojāta, putekļu aizsargs obligāti jānomaina.

7 Transportēšana un uzglabāšana

7.1 Iekārtu un akumulatoru transportēšana un uzglabāšana

Transportēšana

IEVĒROT PIESARDZĪBU!

Nekontrolēta iedarbošanās transportēšanas laikā !

- ▶ Pirms iekārtu transportēšanas vienmēr izņemiet no tām akumulatorus!
- ▶ Izņemiet akumulatoru / akumulatorus.
- ▶ Nekādā gadījumā netransportējiet akumulatorus nostiprinātā veidā, sabērtus kaudzē. Transportēšanas laikā akumulatori jāsaņem no triecieniem un vibrācijas, kā arī jāizolē no jebkādiem materiāliem, kam piemīt elektriskā vadītspēja, un citiem akumulatoriem, lai nepieļautu to nonākšanu saskarē ar citu



bateriju kontaktiem un īssavienojuma rašanos. **Ievērojiet vietējos noteikumus par akumulatoru transportēšanu.**

- ▶ Akumulatorus nedrīkst sūtīt pa pastu. Ja vēlaties nosūtīt nebojātos akumulatorus, vērsieties sūtījumu piegādes uzņēmumā.
- ▶ Pirms katras lietošanas, kā arī pēc ilgākas transportēšanas pārbaudiet, vai izstrādājums un akumulatori nav bojāti.

Uzglabāšana

BRĪDINĀJUMS!

Neparedzami bojājumi bojātu vai izplūdušu akumulatoru dēļ!

- ▶ Pirms iekārtu novietošanas glabāšanā vienmēr izņemiet no tām akumulatorus!
- ▶ Glabājiet izstrādājumu un akumulatorus vēsā un sausā vietā. Ievērojiet temperatūras robežvērtības, kas norādītas tehnisko parametru sadaļā.
- ▶ Neglabājiet akumulatorus uz lādētāja. Pēc uzlādes procesa vienmēr noņemiet akumulatoru no lādētāja.
- ▶ Nekad neglabājiet akumulatorus saulē, uz siltuma avotiem vai aiz stikla.
- ▶ Glabājiet izstrādājumu un akumulatorus tā, lai tiem nevarētu piekļūt bērni un nepiederošas personas.
- ▶ Pirms katras lietošanas, kā arī pēc ilgākas uzglabāšanas pārbaudiet, vai izstrādājums un akumulatori nav bojāti.

8 Traucējumu diagnostika

8.1 Traucējumu novēršana

Ja iekārtas darbībā ir radušies traucējumi, kas nav uzskaitīti šajā tabulā vai ko jums neizdodas novērst saviem spēkiem, lūdzu, meklējiet palīdzību mūsu **Hilti** servisā.

8.2 Perforators nav gatavs darbam

Traucējums	Iespējamais iemesls	Risinājums
Perforators neiedarbojas.	Perforators ir pārslogots.	▶ Izslēdziet perforatoru, izņemiet no tā akumulatoru un pārtrauciet perforatora lietošanu.
LED indikācijas nav.	Akumulators nav pilnībā iebidīts.	▶ Nofiksējiet akumulatoru ar sadzirdamu, divkāršu klikšķi.
	Akumulators ir izlādējies.	▶ Nomainiet akumulatoru un uzlādējiet tukšo akumulatoru.
	Akumulators ir pārāk auksts vai pārāk karsts.	▶ Nodrošiniet ieteicamo akumulatora darba temperatūru.
1 LED mirgo.	Akumulators ir izlādējies.	▶ Nomainiet akumulatoru un uzlādējiet tukšo akumulatoru.
	Akumulators ir pārāk auksts vai pārāk karsts.	▶ Nodrošiniet ieteicamo akumulatora darba temperatūru.
4 LED mirgo.	Perforators ir īslaicīgi pārslogots.	▶ Atlaidiet vadības slēdzi un pēc tam nospiediet to vēlreiz.
	Termiskā aizsardzība.	▶ Ļaujiet perforatoram atdzist un iztīriet ventilācijas atveres.

8.3 Perforators ir gatavs darbam

Traucējums	Iespējamais iemesls	Risinājums
Nav triecienu funkcijas.	Perforators ir pārāk auksts.	▶ Novietojiet perforatoru uz virsmas un neilgu laiku padarbinot to tukšgaitā. Ja nepieciešams atkārtojiet šo procesu, līdz triecienu mehānisms iedarbojas.
	Funkciju pārslēdzējs pozīcijā "Urbšana bez triecienu funkcijas" .	▶ Novietojiet funkciju pārslēdzēju pozīcijā "Triecienuurbšana" .



Traucējums	Iespējamais iemesls	Risinājums
Vadības slēdzi nav iespējams nospiegt, respektīvi, tas ir nobloķēts.	Labā / kreisā rotācijas virziena slēdzis vidējā pozīcijā.	► Pārvietojiet labā / kreisā rotācijas virziena pārslēdzēju pa labi vai pa kreisi.
Iekārtas vārpsta negriežas.	Pārsniegta perforatora elektronikas pieļaujamā darba temperatūra. Akumulators ir izlādējies.	► Ļaujiet perforatoram atdzist. ► Nomainiet akumulatoru un uzlādējiet tukšo akumulatoru.
Perforators automātiski izslēdzas.	Neiedarbojas aizsardzība pret pārslodzi.	► Atlaidiet vadības slēdzi. Ļaujiet perforatoram atdzist. Vēlreiz nospiediet vadības slēdzi. Samaziniet iekārtas slodzi.
Akumulators izlādējas ātrāk nekā parasti.	Akumulatora stāvoklis nav optimāls.	► Nomainiet akumulatoru.
Akumulators nenofiksējas ar sadzirdamu, divkārsu klikšķi.	Netīri akumulatora fiksācijas izciļņi.	► Notīriet fiksācijas mēlītes un nofiksējiet akumulatoru no jauna.
Perforators vai akumulators spēcīgi sakarst.	Elektrisks defekts. Perforators ir pārslogots (pārsniegtas eksploatācijas robežvērtības).	► Nekavējoties izslēdziet perforatoru. Izņemiet akumulatoru un vērojiet to. Ļaujiet tam atdzist. Vērsieties Hilti servisā. ► Izvēlieties veicamajam darbam atbilstīgu iekārtu.
Instrumentu nevar atbrīvot no fiksācijas.	Patronas fiksācija nav pilnībā atvilkta atpakaļ.	► Līdz galam atvelciet instrumenta fiksācijas patronu un izņemiet instrumentu.
Instrumenta negriež materiālu.	Ieslēgts kreisais rotācijas virziens.	► Labā / kreisā rotācijas virziena pārslēgšana uz labo.

9 Nokalpojušo iekārtu utilizācija

Hilti iekārtu izgatavošanā tiek izmantoti galvenokārt otrreiz pārstrādājami materiāli. Priekšnosacījums otrreizējai pārstrādei ir atbilstoša materiālu šķirošana. Daudzās valstīs **Hilti** pieņem nolietotās iekārtas otrreizējai pārstrādei. Lai saņemtu vairāk informācijas, vērsieties **Hilti** servisā vai pie sava pārdošanas konsultanta.



- Neizmetiet elektroiekārtas, elektroniskas ierīces un akumulatorus sadzīves atkritumos!

10 Ražotāja garantija

- Ar jautājumiem par garantijas nosacījumiem, lūdzu, vērsieties pie vietējā **Hilti** partnera.

Originali naudojimo instrukcija

1 Informacija apie naudojimo instrukciją

1.1 Apie šią naudojimo instrukciją

- Prieš pradėdami eksploatuoti, perskaitykite šią naudojimo instrukciją. Tai yra saugaus darbo ir patikimo naudojimo sąlyga.
- Laikykitės saugos ir įspėjimų nurodymų, pateiktų šioje naudojimo instrukcijoje ir ant prietaiso.
- Šią naudojimo instrukciją visada laikykite kartu su prietaisu ir prietaisą kitiems asmenims perduokite tik kartu su šia naudojimo instrukcija.



1.2 Ženklių paaiškinimas

1.2.1 Įspėjantieji nurodymai

Įspėjantieji nurodymai įspėja apie pavojus, gresiančius eksploatuojant prietaisą. Naudojami šie signaliniai žodžiai:

PAVOJUS

PAVOJUS !

- Šis žodis vartojamas norint įspėti apie tiesiogiai gresiantį pavojų, kurio pasekmės yra sunkūs kūno sužalojimai arba žūtis.

ĮSPĖJIMAS

ĮSPĖJIMAS !

- Šis žodis vartojamas norint įspėti apie galimai gresiantį pavojų, kurio pasekmės gali būti sunkūs kūno sužalojimai arba žūtis.

ATSARGIAI

ATSARGIAI !

- Šis žodis vartojamas potencialiai pavojingai situacijai žymėti, kai yra kūno sužalojimo arba materialinių nuostolių grėsmė.

1.2.2 Naudojimo instrukcijoje naudojami simboliai

Šioje naudojimo instrukcijoje naudojami tokie simboliai:

	Laikykitės naudojimo instrukcijos
	Naudojimo nurodymai ir kita naudinga informacija
	Rodo, kad juo paženklintą medžiagą galima perdirbti
	Elektrinių prietaisų ir akumuliatorių nemesti į buitines atliekas
	Hilti ličio jonų akumulatorius
	Hilti Kroviklis

1.2.3 Simboliai iliustracijose

Iliustracijose naudojami šie simboliai:

	Šis skaitmenys nurodo atitinkamą paveikslėlį šios naudojimo instrukcijos pradžioje.
	Numeracija paveikslėliuose nurodo svarbius darbinis veiksmus arba darbiniams veiksams svarbias konstrukcines dalis. Tekste šie darbiniai veiksmai arba konstrukcinės dalys išskirtos atitinkamais numeriais, pvz., (3) .
	pozicijų numeriai naudojami paveikslėlyje Apžvalga – jie nurodo skyrelyje Prietaiso vaizdas esančių paaiškinimų numerius.
	Šiuo ženklu siekiama atkreipti ypatingą dėmesį į naudojamą šiuo prietaisu.

1.3 Specifiniai prietaiso simboliai

1.3.1 Simboliai ant prietaiso

Ant prietaiso gali būti naudojami šie simboliai:

	Grėžimas be smūgiavimo
	Grėžimas smūgiuojant (smūginis grėžimas)
	Dešininis / kairinis sukimasis



n_0	Nominalus tuščiosios eigos sukimosi greitis
/min	Apsisukimai per minutę
---	Nuolatinė srovė
Li-Ion	Ličio jonų akumulatorius
	Naudotas Hilti serijos ličio jonų akumulatorius. Atkreipkite dėmesį į duomenis skyriuje Naudojimas pagal paskirtį .
	Niekada nenaudokite akumulatoriaus kaip smūginio įrankio.
	Saugokite, kad akumulatorius nenukristų. Nenaudokite akumulatoriaus, kuris buvo sutrenktas arba kaip nors kitaip pažeistas.
	Prietaisas palaiko NFC technologiją, suderinamą su „iOS“ ir „Android“ platformomis.

1.4 Informacija apie prietaisą

HILTI gaminiai yra skirti profesionalams, todėl juos naudoti, techniškai prižiūrėti ir remontuoti leidžiama tik įgaliotam instruktuojam personalui. Šis personalas turi būti supažindintas su visais galimais pavojais. Neapmokyto personalo, netinkamai arba ne pagal paskirtį naudojamas prietaisas ir jo reikmenys gali kelti pavojų.

Tipas ir serijos numeris yra nurodyti firminėje duomenų lentelėje.

- Serijos numerį perkeltkite į toliau nurodytą lentelę. Kreipdamiesi su prietaisu susijusiais klausimais į mūsų atstovybę ar techninės priežiūros centrą, visada nurodykite šiuos prietaiso duomenis.

Prietaiso duomenys

Tipas:	TE 2-A22
Karta:	02
Serijos Nr.:	

1.5 Atitikties deklaracija

Atsakingai pareiškiame, kad čia yra aprašytas produktas atitinka taikomas direktyvas ir standartus. Atitikties deklaracijos kopiją rasite šio dokumento gale.

Techninė dokumentacija saugoma čia:

Hilti Entwicklungsgesellschaft mbH | Zulassung Geräte | Hiltistraße 6 | 86916 Kaufering, DE

2 Sauga

2.1 Bendrieji saugos nurodymai dirbantiems su elektriniais įrankiais

⚠️ ĮSPĖJIMAS Perskaitykite visus ant šio elektrinio įrankio esančius saugos nurodymus, instrukcijas, paveikslėlius ir techninius duomenis. Šių nurodymų nesilaikymas gali tapti elektros smūgio, gaisro ir / arba sunkių sužalojimų priežastimi.

Išsaugokite visus saugos nurodymus ir instrukcijas, kad galėtumėte į juos pažvelgti ateityje.

Saugos nurodymuose vartojama sąvoka „elektrinis įrankis“ apibrėžiami iš elektros tinklo maitinami elektriniai įrankiai (turintys maitinimo kabelį) ir iš akumulatoriaus maitinami elektriniai įrankiai (be maitinimo kabelio).

Sauga darbo vietoje

- **Pasirūpinkite, kad darbo vieta visada būtų švari ir gerai apšviesta.** Netvarkinga ar blogai apšviesta darbo vieta gali tapti nelaimingų atsitikimų priežastimi.
- **Nenaudokite elektrinio įrankio sprogoje aplinkoje, kurioje yra degių skysčių, dujų arba dulkių.** Veikiantys elektriniai įrankiai kibirkščiuoja, ir kibirkštys gali uždegti dulkes arba susikaupusius garus.
- **Dirbdami su elektriniu įrankiu, neleiskite darbo zonoje būti vaikams ir pašaliniais asmenims.** Atitraukę dėmesį nuo darbo, galite nebesuvaldyti prietaiso.



Apsauga nuo elektros

- ▶ **Prietaiso maitinimo kabelio kištukas turi atitikti elektros lizdo tipą. Kištuko jokiu būdu negalima keisti. Nenaudokite tarpinių kištukų kartu su elektriniais įrankiais, turinčiais apsauginį įžeminimą.** Nepakeisti kištukai ir tinkami elektros lizdai mažina elektros smūgio riziką.
- ▶ **Venkite kūno kontakto su įžemintais paviršiais, pvz., vamzdžiais, šildytuvais, viryklėmis ir šaldytuvais.** Kai žmogaus kūnas yra įžemintas, padidėja elektros smūgio tikimybė.
- ▶ **Elektrinius įrankius saugokite nuo lietaus ir drėgmės.** Į elektrinį įrankį patekus vandens, padidėja elektros smūgio rizika.
- ▶ **Nenaudokite elektros maitinimo kabelio ne pagal paskirtį, t. y. neneškite elektrinio įrankio paėmę už kabelio, nekabinkite jo ant kabelio, netraukite už kabelio, norėdami ištraukti kištuką iš elektros lizdo. Elektros maitinimo kabelį saugokite nuo karščio, alyvos, aštrių briaunų ar judančių dalių.** Pažeisti arba susipynę elektros maitinimo kabeliai didina elektros smūgio riziką.
- ▶ **Jei su elektriniu įrankiu dirbate lauke, naudokite tik tokius ilginimo kabelius, kurie tinka ir lauko darbams.** Naudojant lauko darbams tinkančius ilginimo kabelius, mažėja elektros smūgio rizika.
- ▶ **Jeigu elektrinio įrankio naudojimo drėgnoje aplinkoje negalima išvengti, į elektros tinklą jįjunkite per apsauginę nuotėkio relę.** Apsauginė nuotėkio relė mažina elektros smūgio riziką.

Žmonių sauga

- ▶ **Dirbdami su elektriniu įrankiu, būkite atidūs, sutelkite dėmesį į darbą ir vadovaukitės sveika nuovoka. Elektrinio įrankio nenaudokite, jeigu esate pavargę arba apsvaigę nuo narkotinių medžiagų, alkoholio ar vaistų.** Neatidumo akimirka dirbant su elektriniu įrankiu gali tapti rimtu sužalojimų priežastimi.
- ▶ **Naudokite asmenines apsaugos priemones ir visuomet užsidėkite apsauginius akinius.** Naudojant asmenines apsaugos priemones, pvz., respiratorių, neslystančius apsauginius batus, apsauginį šalną, ausines ir kt., priklausomai nuo elektrinio įrankio tipo ir naudojimo, mažėja rizika susižaloti.
- ▶ **Saugokitės, kad neįjungtumėte prietaiso atsitiktinai. Prieš prijungdami prie elektros maitinimo tinklo, įdėdami akumuliatorių, imdami į rankas ar nešdami, įsitikinkite, kad elektrinis įrankis yra išjungtas.** Jeigu nešdami elektrinį įrankį pirštą laikysite ant jungiklio arba įrankį įjungsitė į elektros tinklą tuomet, kai jungiklis nėra išjungtas, gali įvykti nelaimingas atsitikimas.
- ▶ **Prieš įjungdami elektrinį įrankį, pašalinkite iš jo reguliavimo įrankius ar veržlinius raktus.** Besisukančioje prietaiso dalyje esantis įrankis ar paliktas raktas gali tapti sužalojimų priežastimi.
- ▶ **Venkite nepatogių kūno padėčių. Dirbdami stovėkite tvirtai ir visada išlaikykite kūno pusiausvyrą.** Taip galėsite geriau kontroliuoti elektrinį įrankį netikėtose situacijose.
- ▶ **Vilkėkite tinkamą aprangą. Nevilkėkite plačių drabužių, nesidėkite papuošalų. Saugokite plaukus, drabužius ir pirštines nuo besisukančių prietaiso dalių.** Laisvus drabužius, papuošalus ir ilgus plaukus gali įtraukti besisukančios prietaiso dalys.
- ▶ **Jei yra numatyta galimybė prijungti dulkių nusiurbimo ar surinkimo įrenginius, visada įsitikinkite, kad jie yra prijungti ir tinkamai naudojami.** Naudojant dulkių nusiurbimo įrenginį, gali sumažėti dulkių keliami grėsmė.
- ▶ **Neturėkite iliuzijų, kad visada esate saugūs, ir, skaitydami naudojimo instrukcijas, nepraleiskite skyrelių apie saugų darbą su elektriniais įrankiais, net jeigu per ilgus naudojimo metus esate su savo elektriniu įrankiu susipažinę.** Neatsargus veiksmas per sekundės dalį gali tapti sunkių sužalojimų priežastimi.

Elektrinio įrankio naudojimas ir elgesys su juo

- ▶ **Prietaiso neperkraudkite. Naudokite Jūsų darbui tinkamą elektrinį įrankį.** Su tinkamu elektriniu įrankiu dirbsite geriau ir saugiau, jei neviršysite nurodytos galios.
- ▶ **Nenaudokite elektrinio įrankio su sugedusiu jungikliu.** Elektrinis įrankis, kurio nebegalima įjungti ar išjungti, yra pavojingas ir jį reikia remontuoti.
- ▶ **Prieš prietaisą nustatydami, keisdami reikmenis ar tiesiog padėdami į šalį, visuomet ištraukite maitinimo kabelio kištuką iš elektros lizdo ir / arba iš prietaiso išimkite akumuliatorių.** Ši atsargumo priemonė leis išvengti netikėto elektrinio įrankio įsijungimo.
- ▶ **Nenaudokite elektrinius įrankius saugokite vaikams nepasiekiamoje vietoje. Neleiskite prietaisu naudotis asmenims, kurie nėra su juo susipažinę arba nėra perskaitę šios instrukcijos.** Elektriniai įrankiai yra pavojingi, kai juos naudoja patirties neturintys asmenys.
- ▶ **Elektrinius įrankius ir reikmenis rūpestingai prižiūrėkite. Tikrinkite, ar judančios elektrinio įrankio dalys tinkamai funkcionuoja ir niekur nekliūva, ar nėra sulūžusių ir pažeistų dalių, kurios blogintų įrankio veikimą. Prieš naudojimą pažeistos prietaiso dalys turi būti suremontuotos.** Blogai prižiūrimi elektriniai įrankiai yra daugelio nelaimingų atsitikimų priežastis.
- ▶ **Pjovimo įrankiai visuomet turi būti aštrūs ir švarūs.** Rūpestingai prižiūrėti pjovimo įrankiai su aštriomis pjovimo briaunomis mažiau tringa ir yra lengviau valdomi.



- ▶ **Elektrinį įrankį, reikmenis, keičiamuosius įrankius ir t. t. naudokite pagal šias instrukcijas. Taip pat atsižvelkite į darbo sąlygas ir atliekamo darbo pobūdį.** Elektrinius įrankius naudojant ne pagal paskirtį, gali kilti pavojingos situacijos.
- ▶ **Priziūrėkite rankenas, kad jos ir jų laikymo paviršiai visada būtų sausi, švarūs ir neriebaluoti.** Slidžios rankenos ir jų laikymo paviršiai negali užtikrinti elektrinio įrankio saugaus naudojimo ir valdymo kontrolės nenumatytoje situacijoje.

Akumulatorinio įrankio naudojimas ir elgesys su juo

- ▶ **Akumulatoriams įkrauti naudokite tik tuos kroviklius, kuriuos rekomenduoja gamintojas.** Kroviklį, tinkantį tik nurodytiems akumuliatorių tipams, naudojant kitiems akumulatoriams įkrauti, kyla gaisro pavojus.
- ▶ **Elektriniuose įrankiuose naudokite tik konkrečiai jiems skirtus akumulatorius.** Naudojant kitokius akumulatorius, kyla pavojus susižaloti ir sukelti gaisrą.
- ▶ **Nenaudojamo akumulatoriaus nelaiykite šalia sąvaržėlių, monetų, raktų, vinių, varžtų ar kitokių smulkių metalinių daiktų, kurie galėtų trumpai sujungti akumulatoriaus kontaktus.** Trumpai sujungus akumulatoriaus kontaktus, yra pavojus nusideginti ar sukelti gaisrą.
- ▶ **Netinkamai naudojant akumuliatorių, iš jo gali ištekėti skystis. Venkite kontakto su šiuo skysčiu. Jei skysčio atsitiktinai pateko ant odos, nuplaukite ją vandeniu, jei pateko į akis - gerai praplaukite jas vandeniu ir nedelsdami kreipkitės į gydytoją.** Akumulatoriaus skystis gali sudirginti arba chemiškai nudeginti odą.
- ▶ **Nenaudokite pažeisto arba perdirbto akumulatoriaus.** Pažeisti arba perdirbti akumulatoriai gali funkcionuoti nenumatytai, todėl gali kelti gaisro, sprogo ar sužalojimų pavojų.
- ▶ **Akumuliatorių saugokite nuo ugnies ir per aukštos temperatūros.** Ugnies arba didesnės kaip 130 °C (265 °F) temperatūros veikiamas akumuliatorius gali sprogti.
- ▶ **Laikykitės visų įkrovimo instrukcijų ir akumuliatorių arba akumulatorinį įrankį visada įkraukite tik eksploatavimo instrukcijoje nurodytame temperatūrų diapazone.** Netinkamas įkrovimas arba įkrovimas už leistino temperatūrų diapazono ribų gali sugadinti akumuliatorių ir padidinti gaisro pavojų.

Techninė priežiūra

- ▶ **Savo elektrinį įrankį patikėkite remontuoti tik kvalifikuotam specialistui, tam jis turi naudoti tik originalias atsargines dalis.** Taip galima užtikrinti, kad bus išlaikytas prietaiso naudojimo saugumas.
- ▶ **Niekada nevykdysite pažeistų akumuliatorių techninės priežiūros.** Bet kokią akumuliatorių techninę priežiūrą leidžiama vykdyti tik gamintojui arba įgaliotoms klientų aptarnavimo įmonėms.

2.2 Saugos nurodymai smūginiams įrankiams

Saugos nurodymai visiems darbams

- ▶ **Dirbdami užsidėkite ausines.** Triukšmas gali pakenkti klausai.
- ▶ **Naudokite prietaiso komplekte esančias papildomas rankenas.** Prietaisui tapus nebevaldomam, galite susižaloti.
- ▶ **Vykdydami darbus, kurių metu keičiamasis įrankis gali paliesti paslėptus elektros laidus, prietaisą laikykite paėmę už izoliuotų rankenų paviršių.** Dėl kontakto su laidais, kuriais teka elektros srovė, metalinėse prietaiso dalyse taip pat gali atsirasti įtampa, todėl kyla elektros smūgio pavojus.

Saugos nurodymai dėl ilgų gražtų naudojimo

- ▶ **Gręžti visada pradėkite nedideliu sukimosi greičiu ir tik tada, kai gražtas jau liečia ruošinį.** Jeigu, neturėdamas kontakto su ruošiniu, gražtas gali laisvai sukintis, jis gali šiek tiek sulinkti ir sužaloti.
- ▶ **Gražtą spauskite tik išilgine kryptimi, tačiau spaudimas neturi būti per didelis.** Gražtai gali sulinkti ir dėl to lūžti arba tapti nebevaldomi ir sužaloti.

2.3 Papildomi saugos nurodymai dirbantiems su perforatoriumi

Žmonių sauga

- ▶ Prietaisą ir priedus naudokite tik tada, kai jie yra techniškai tvarkingi.
- ▶ Prietaisą ir priedus draudžiama keisti ar atlikti kitokius jų pakeitimus.
- ▶ Naudokite prietaiso komplekte esančias papildomas rankenas. Prietaisui tapus nebevaldomam, galite susižaloti.
- ▶ Atlikdami sienų ar grindų pragręžimo ar prakirtimo darbus, apsaugokite kitoje pusėje esančią zoną. Medžiagos skeveldros gali iškristi ir / arba nukristi ir sužaloti kitus žmones.
- ▶ Prietaisą visada laikykite tvirtai, abiem rankomis paėmę už tam skirtų rankenų. Rankenos visada turi būti sausas ir švarios.



- ▶ Vykdydami darbus, kurių metu keičiamasis įrankis gali paliesti paslėptus elektros laidus, prietaisą laikykite paėmę už izoliuotų rankenų paviršių. Dėl kontakto su laidais, kuriais teka elektros srovė, metalinėse prietaiso dalyse taip pat gali atsirasti įtampa, todėl kyla elektros smūgio pavojus.
- ▶ Venkite liesti besisukančias prietaiso dalis – susižalojimo pavojus!
- ▶ Dirbdami su prietaisu, dėvėkite apsauginius akinius, apsauginį šalmą, klausos apsaugos priemonę ir tinkamą kvėpavimo takų apsaugos priemonę.
- ▶ Keisdami įrankį, mūvėkite apsaugines pirštines. Liesdami keičiamąjį įrankį, galite susipjaustyti ir nusideginti rankas.
- ▶ Dirbdami užsidėkite akių apsaugos priemonę. Medžiagų skeveldros gali sužaloti odą ir akis.
- ▶ Šlifuojant, pjaustant ir gręžiant kylančiose dulkėse gali būti pavojingų cheminių medžiagų. Štai keli pavyzdžiai: švinas ar dažai švino pagrindu, plytos, betonas ir kiti mūro statiniai, natūralus akmuo ir kiti gaminiai, kurių sudėtyje yra silikato, tam tikra mediena, ažuolas, bukas ir chemiškai apdorota mediena, asbestas arba medžiagos, kurių sudėtyje yra asbesto. Naudodamiesi medžiagų, su kuriomis dirbama, pavojingumo klase, nustatykite poveikį dirbančiajam ir aplink esantiems asmenims. Imkitės būtinų priemonių, užtikrinančių, kad poveikis liktų saugiame lygmenyje, pvz., naudokite dulkių surinkimo sistemą arba dėvėkite tinkamas kvėpavimo apsaugos priemones. Prie bendrųjų priemonių, skirtų poveikiui sumažinti, priskiriama:
 - ▶ darbas gerai vėdinamoje srityje,
 - ▶ ilgesnio kontakto su dulkelėmis vengimas,
 - ▶ dulkių nuvedimas nuo veido ir kūno,
 - ▶ apsauginių drabužių dėvėjimas ir užterštų vietų nuplovimas vandeniu ir muilu.
- ▶ Dažnai darykite pertraukas ir pratimus, užtikrinančius geresnę Jūsų pirštų kraujotaką. Dirbant ilgesnį laiką, vibracijos gali sukelti pirštų, plaštakos ar riešo sąnario kraujagyslių ar nervų sistemos pažeidimus.

Apsauga nuo elektros

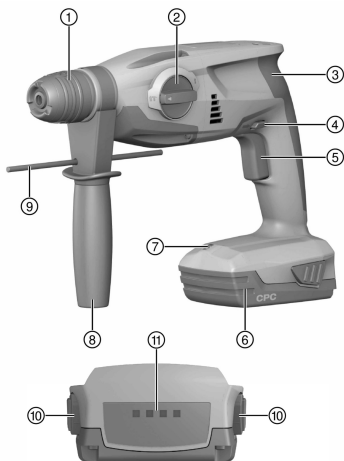
- ▶ Prieš pradėdami dirbti patikrinkite, ar darbo zonoje nėra paslėptų elektros laidų, dujų ar vandentiekio vamzdžių. Netyčia pažeidus elektros kabelį, dujų ar vandens vamzdį, išorinėse metalinėse prietaiso dalyse taip pat gali atsirasti įtampa, kelianti elektros smūgio pavojų, arba gali iškilti sprogo pavojus.

Atsargus elektrinių įrankių naudojimas ir elgesys su jais

- ▶ Keičiamajam įrankiui užsiblokavus, prietaisą nedelsdami išjunkite. Prietaisas gali pakrypti į šoną.
- ▶ Prieš padėdami prietaisą palaukite, kol jis visiškai sustos.

3 Aprašymas

3.1 Gaminio vaizdas



- ① Įrankio griebtuvas TE-C Click
- ② Funkcijos pasirinkimo jungiklis
- ③ Rankena
- ④ Dešininės / kairinės eigos perjungiklis su įjungimo blokatoriumi
- ⑤ Valdymo jungiklis
- ⑥ Akumuliatorius
- ⑦ Šviesos diodas darbo zonai apšviesti
- ⑧ Šoninė rankena
- ⑨ Gylio ribotuvus
- ⑩ Atblokavimo mygtukai su papildoma įkrovos lygio indikatoriaus suaktyvinimo funkcija
- ⑪ Akumuliatoriaus įkrovos lygio indikacija



3.2 Naudojimas pagal paskirtį

Aprašytasis prietaisas yra akumuliatorinis perforatorius. Jis yra skirtas plienui, medienai ir mūriui gręžti, betonui ir mūriui gręžti smūginiu būdu, taip pat varžtams įsukti ir atsukti.

- Su šiuo prietaisu naudokite tik B 22 serijos **Hilti** ličio jonų akumulatorius.
- Šiems akumulatoriams naudokite tik **Hilti** leidžiamus naudoti kroviklius. Daugiau informacijos rasite vietinėje **Hilti Store** arba tinklalapyje **www.hilti.group**.

3.3 Ličio jonų akumulatoriaus indikatorius

Dirbant ličio jonų akumulatoriaus įkrovos lygį galima pasižiūrėti paspaudus vieną iš atblokavimo mygtukų.

Būseną	Reikšmė
Šviečia 4 diodai.	Įkrovos lygis: nuo 75 iki 100 %
Šviečia 3 diodai.	Įkrovos lygis: nuo 50 iki 75 %
Šviečia 2 diodai.	Įkrovos lygis: nuo 25 iki 50 %
Šviečia 1 diodas.	Įkrovos lygis: nuo 10 iki 25 %
1 šviesos diodas mirksi.	Įkrovos lygis: < 10 %

Dirbant ir iškart po darbo įkrovos lygio įvertinti negalima. Mirksint akumulatoriaus įkrovos lygio indikatorius šviesos diodams, laikykitės skyriuje „Sutrikimų paieška“ pateiktų nurodymų.

3.4 Tiekiamas komplektas

Perforatorius, šoninė rankena, gylio ribotuvas, naudojimo instrukcija.

Dulkių modulis TE DRS-S siūlomas kaip priedas darbams, kurių metu susidaro mažai dulkių.

Daugiau Jūsų turimam prietaisui skirtų sisteminių reikmenų rasite vietinėje **Hilti Store** arba tinklalapyje **www.hilti.group**

4 Techniniai duomenys

4.1 Perforatorius

	TE 2-A22
Nominalioji maitinimo įtampa	21,6 V
Svoris pagal EPTA Procedure 01 su akumulatoriumi B22/8.0	3,3 kg
Betone / mūre gręžiamų skylių skersmuo (smūginis gręžimas)	4 mm ... 16 mm
Metale gręžiamų skylių skersmuo (ištisinis grąžtas)	0 mm ... 10 mm
Maksimalus gylio ribotuvo ilgis	180 mm

4.2 Informacija apie triukšmą ir vibracijos reikšmės pagal EN 62841

Šiuose nurodymuose pateiktos garso slėgio ir vibracijos reikšmės yra išmatuotos taikant standartizuotą matavimo metodą ir gali būti naudojami elektriniams įrankiams palyginti tarpusavyje. Jos taip pat tinka šių veiksmų poveikiui iš anksto įvertinti.

Nurodytieji duomenys yra susieti su pagrindinėmis šio elektrinio įrankio naudojimo sritimis. Jeigu elektrinis įrankis bus naudojamas kitaip, su skirtingais keičiamaisiais įrankiais arba bus nepakankamai techniškai prižiūrimas, šie duomenys gali skirtis nuo nurodytųjų. Tai gali gerokai padidinti šių veiksmų poveikį per visą darbo laikotarpį.

Norint tiksliai įvertinti poveikį, reikėtų įvertinti ir laiką, kai elektrinis prietaisas yra išjungtas, arba, nors ir įjungtas, juo faktiškai nedirbama. Toks įvertinimas gali smarkiai sumažinti poveikio per visą darbo laikotarpį reikšmę.

Įmkitės papildomų saugos priemonių, kad darbuotojas būtų apsaugotas nuo triukšmo ir / arba vibracijos poveikio, pavyzdžiui, reikalaukite tinkamos elektrinio įrankio ir keičiamųjų įrankių techninės priežiūros, pasirūpinkite, kad darbuotojų rankos visada būtų šiltos, užtikrinkite tinkamą darbo organizavimą.

Informacija apie triukšmą

Garso stiprumo lygis (L_{WA})	103 dB(A)
Skleidžiamo garso slėgio lygis (L_{pA})	92 dB(A)
Paklaida (garso vertės) (K_{pA} ir K_{WA})	3 dB(A)



Suminės vibracijų vertės

Metalo gręžimas ($a_{h,b}$)	B 22/2.6 Li-lon (01)	2,5 m/s ²
Betono smūginis gręžimas ($a_{h, HB}$)	B 22/2.6 Li-lon (01)	12,7 m/s ²
Paklaida (suminės vibracijų vertės)		1,5 m/s ²

4.3 Akumulatorius

Akumulatoriaus darbinė įtampa	21,6 V
Darbinė aplinkos temperatūra	-17 °C ... 60 °C
Laikymo temperatūra	-20 °C ... 40 °C
Akumulatoriaus temperatūra, kai pradedama įkrauti	-10 °C ... 45 °C

5 Naudojimas**5.1 Pasiruošimas darbui****⚠ ĮSPĖJIMAS****Sužalojimo pavojus dėl atsitiktinio paleidimo!**

- ▶ Prieš įdėdami akumuliatorių, įsitinkinkite, kad atitinkamas prietaisas yra išjungtas.
- ▶ Prieš nustatydami prietaisą ar keisdami reikmenis, išimkite akumuliatorių.

Laikykites šioje instrukcijoje ir ant prietaiso pateiktų saugos nurodymų ir įspėjimų.

5.1.1 Šoninės rankenos montavimas 4

1. Sukdami rankeną, atlaisvinkite šoninės rankenos laikiklį (užspaudimo juosta).
2. Laikiklį (užspaudimo juosta) virš įrankio griebtuvo iš priekio stumkite pirmyn iki jam skirto griovelio.
3. Šoninę rankeną nustatykite į norimą padėtį.
4. Sukdami rankeną, šoninės rankenos laikiklį (užspaudimo juosta) priveržkite.

5.1.2 Akumulatoriaus įdėjimas 2

1. Akumuliatorių dėkite į prietaise esantį laikiklį, kol girdimai užsifiksuos.
2. Patikrinkite, ar akumulatorius gerai užfiksuotas prietaise.

5.1.3 Akumulatoriaus išėmimas 3

1. Spauskite akumulatoriaus atblokovimo mygtukus.
2. Akumuliatorių išimkite traukdami atgal.

5.1.4 Keičiamojo įrankio įdėjimas 5

1. Keičiamojo įrankio kotą šiek tiek patepkite tirštuoju tepalu.
 - ▶ Naudokite tik originalų „Hilti“ tirštąjį tepalą. Netinkamas tepalas gali prietaisui padaryti žalos.
2. Keičiamąjį įrankį įstatykite į įrankio griebtuvą, kol atsirems, ir leiskite užsifiksuoti.
3. Patraukę už įstatyto įrankio patikrinkite, ar jis gerai užsifiksavo.
 - ▶ Prietaisas yra parengtas naudoti.

5.1.5 Keičiamojo įrankio išėmimas 6**⚠ ATSARGIAI****Sužalojimo pavojus dėl keičiamojo įrankio! Keičiamasis įrankis gali būti karštas arba turėti aštrias briaunas.**

- ▶ Keisdami keičiamąjį įrankį, mūvėkite apsaugines pirštines.
- ▶ Įrankio fiksatorių traukite atgal, kol atsirems, ir keičiamąjį įrankį išimkite.

5.1.6 Gylio ribotuvo (užsakomas papildomai) montavimas 7

1. Sukdami rankeną, atlaisvinkite šoninės rankenos laikiklį (užspaudimo juosta).
2. Gylio ribotuvą iš priekio įkiškite į jam skirtas 2 kreipiančiąsias skylės.



3. Sukdami rankeną, šoninės rankenos laikiklį (užspaudimo juosta) priveržkite.

5.2 Darbas

ATSARGIAI

Galima žala dėl netinkamo naudojimo!

► Tuo metu, kai įrankis veikia, sukimosi krypties ir / arba funkcijos pasirinkimo jungiklių nejunginėkite!

Laikykitės šioje instrukcijoje ir ant prietaiso pateiktų saugos nurodymų ir įspėjimų.

5.2.1 Darbo vietos apšvietimas



Spaudžiant valdymo jungiklį, šviesos diodas įsijungia automatiškai. Valdymo jungiklį atleidus, šviesos diodas lėtai užgesa.

► Paspauskite valdymo jungiklį.

5.2.2 Sukimosi kryptis

- Nustatykite sukimosi kryptį.
 - Jungiklis užsifiksuoja šioje padėtyje.

5.2.3 Gręžimas be smūgiavimo

► Funkcijos pasirinkimo jungiklį nustatykite ties šiuo simboliu:

5.2.4 Gręžimas su smūgiavimu

► Funkcijos pasirinkimo jungiklį nustatykite ties šiuo simboliu:

6 Priežiūra ir einamasis remontas

6.1 Priežiūra ir einamasis remontas



ISPĖJIMAS

Sužalojimo pavojus kai įstatytas akumulatorius !

► Prieš pradėdami bet kokius techninės priežiūros ir einamojo remonto darbus, akumuliatorių iš prietaiso išimkite!

Prietaiso priežiūra

- Prilipusius nešvarumus atsargiai nuvalykite.
- Jei yra, vėdinimo plyšius atsargiai išvalykite sausu minkštu šepetėliu.
- Korpusą valykite tik šiek tiek sudrėkinta šluoste. Nenaudokite priemonių, kurių sudėtyje yra silikono, nes jos gali pakenkti plastikinėms detalėms.
- Prietaiso kontaktams nuvalyti naudokite švnią, sausą šluostę.

Ličio jonų akumuliatorių priežiūra

- Niekada nenaudokite akumulatoriaus, jei jo vėdinimo plyšiai yra užsikimšę. Vėdinimo plyšius atsargiai išvalykite sausu, minkštu šepetėliu.
- Saugokite akumuliatorių nuo bereikalingo dulkių ir nešvarumų poveikio. Saugokite akumuliatorių nuo didelės drėgmės (pvz., napanardinkite į vandenį ir nepalikite stovėti lietuje). Jei akumuliatorių peršlapo, elkitės su juo kaip su pažeistu akumuliatoriumi. Izoliuokite jį nedegiamame konteineryje ir kreipkitės į Hilti techninės priežiūros centrą.
- Saugokite akumuliatorių nuo pašalinės alyvos ir tepalų. Saugokite, kad ant akumulatoriaus nenusėstų dulkių ir nešvarumų. Akumuliatorių valykite sausu, minkštu šepetėliu arba švnią, sausa šluoste. Nenaudokite priemonių, kurių sudėtyje yra silikono, nes jos gali pakenkti plastikinėms detalėms. Nelieskite akumulatoriaus kontaktų ir nepašalinkite nuo kontaktų gamykloje užtepto tepalo.
- Korpusą valykite tik šiek tiek sudrėkinta šluoste. Nenaudokite priemonių, kurių sudėtyje yra silikono, nes jos gali pakenkti plastikinėms detalėms.

Einamasis remontas

- Reguliariai tikrinkite, ar matomos dalys nėra pažeistos ir ar valdymo elementai veikia nepriklausomai.



- Nenaudokite pažeisto prietaiso arba prietaiso su veikimo trukdžiais. Prietaisą nedelsdami pristatykite remontuoti į **Hilti** techninės priežiūros centrą.
- Atlikę priežiūros ir remonto darbus uždėkite visus apsauginiai įtaisus ir patikrinkite, ar jie nepriekaištingai veikia.



Kad eksploatacija būtų patikima, naudokite tik originalias atsargines dalis ir eksploatacines medžiagas. **Hilti** aprobuotas atsargines dalis, eksploatacines medžiagas ir reikmenis savo prietaisui rasite vietinėje **Hilti Store** arba tinklalapyje www.hilti.group

6.2 Nuo dulkių saugančio gaubtelio valymas

- ▶ Įrankio griebtuve esantį nuo dulkių saugantį gaubtelį reguliariai valykite švaria sausa šluoste.
- ▶ Sandarinimo briaunelę atsargiai nuvalykite ir vėl šiek tiek patepkite **Hilti** tirštuoju tepalu.
- ▶ Jei sandarinimo briaunelė pažeista, būtinai pakeiskite nuo dulkių saugantį gaubtelį.

7 Transportavimas ir sandėliavimas

7.1 Akumuliatorių įrankių ir akumuliatorių transportavimas ir sandėliavimas

Transportavimas



ATSARGIAI

Atsitiktinis įjungimas transportuojant !

- ▶ Savo prietaisus visada transportuokite tik išėmę akumulatorius!
- ▶ Išimkite akumuliatorių/akumulatorius.
- ▶ Akumuliatorių būtina saugoti nuo stiprių smūgių ir vibracijos, taip pat izoliuoti nuo bet kokių elektrai laidžių medžiagų ir kitų akumuliatorių, kad jie nesiliestų su kitų akumuliatorių poliais ir nesukeltų trumpojo jungimo. **Laikykitės eksploataavimo vietoje galiojančių akumuliatorių transportavimo direktyvų.**
- ▶ Akumuliatorius draudžiama siųsti paštu. Jei norite siųsti nepažeistus akumuliatorius, kreipkitės į pervežimų įmonę.
- ▶ Prieš kiekvieną naudojimą ir po ilgesnio transportavimo patikrinkite, ar prietaisas ir akumuliatoriai nepažeisti.

Sandėliavimas



ĮSPĖJIMAS

Atsitiktinis pažeidimas dėl sugedusių ar išsiliejusių akumuliatorių !

- ▶ Savo prietaisus visada laikykite tik išėmę akumulatorius!
- ▶ Prietaisas ir akumuliatorių laikykite vėsioje ir sausoje vietoje. Atkreipkite dėmesį į ribines temperatūros vertes, nurodytas skyriuje "Techniniai duomenys".
- ▶ Akumuliatoriaus nelaikykite ant kroviklio. Akumuliatorių visada nuimkite nuo kroviklio po įkrovimo proceso.
- ▶ Nelaikykite akumuliatoriaus saulėje, ant šilumos šaltinių ar už lango stiklo.
- ▶ Prietaisą ir akumuliatorius laikykite vaikams bei neįgaliesiems neprieinamoje vietoje.
- ▶ Prieš kiekvieną naudojimą ir po ilgesnio sandėliavimo patikrinkite, ar prietaisas ir akumuliatoriai nepažeisti.

8 Sutrikimų paieška

8.1 Pagalba sutrikus veikimui

Pasitaikius sutrikimų, kurie nėra aprašyti šioje lentelėje arba kurių negalite pašalinti patys, kreipkitės į **Hilti** techninės priežiūros centrą.

8.2 Perforatorius neparengtas veikti

Sutrikimas	Galima priežastis	Sprendimas
Perforatorius neįsijungia.	Perforatorius perkrautas.	▶ Perforatorių išjunkite, išimkite akumuliatorių ir perforatoriaus nenaudokite.



Sutrikimas	Galima priežastis	Sprendimas
Šviesos diodai nieko nerodo.	Akumulatorius netinkamai įstatytas.	► Akumuliatorių užfiksuokite: turi pasigirsti dvigubas spragtelėjimas.
	Akumulatorius išsekęs.	► Akumuliatorių pakeiskite, o išsekusį – įkraukite.
	Akumulatorius per karštas arba per šaltas.	► Akumuliatorių atvėsinkite arba pašildykite iki rekomenduojamos darbinės temperatūros.
1 šviesos diodas mirksi.	Akumulatorius išsekęs.	► Akumuliatorių pakeiskite, o išsekusį – įkraukite.
	Akumulatorius per karštas arba per šaltas.	► Akumuliatorių atvėsinkite arba pašildykite iki rekomenduojamos darbinės temperatūros.
Mirksi 4 šviesos diodai.	Perforatorius trumpam perkrautas.	► Valdymo jungiklį atleiskite ir vėl paspauskite.
	Apsauga nuo perkaitimo.	► Leiskite perforatoriui atvėsti ir išvalykite vėdinimo plyšius.

8.3 Perforatorius yra parengtas veikti

Sutrikimas	Galima priežastis	Sprendimas
Prietaisas nesmūgiuoja.	Perforatorius per šaltas.	► Perforatorių padėkite ant grindų ir leiskite veikti tuščiąja eiga. Jeigu reikia, pakartokite, kol smūginis mechanizmas pradės veikti.
	Funkcijos pasirinkimo jungiklis yra padėtyje „Grėžimas be smūgiavimo“	► Funkcijos pasirinkimo jungiklį nustatykite į padėtį „Smūginis grėžimas“
Valdymo jungiklio negalima paspausti arba jis yra užblokuotas.	Dešininės / kairinės eigos perjungiklis yra vidurinėje padėtyje.	► Dešininės / kairinės eigos perjungiklį pastumkite į kairę arba į dešinę.
Prietaiso velenas nesisuka.	Viršyta perforatoriaus elektroninės sistemos leistina darbinė temperatūra.	► Leiskite perforatoriui atvėsti.
	Akumulatorius išsekęs.	► Akumuliatorių pakeiskite, o išsekusį – įkraukite.
Perforatorius automatiškai išsijungia.	Suveikė apsauga nuo perkrovos.	► Atleiskite valdymo jungiklį. Leiskite perforatoriui atvėsti. Vėl spauskite valdymo jungiklį. Sumažinkite prietaiso apkrovą.
Akumulatorius išsikrauna greičiau nei paprastai.	Akumulatoriaus būklė nėra optimali.	► Akumuliatorių pakeiskite nauju.
Akumulatorius neužsikisuoja, ir nepasigirsta dvigubas spragtelėjimas.	Užterštas akumulatoriaus fiksatorius.	► Fiksatorių išvalykite ir akumuliatorių įdėkite iš naujo.
Perforatorius arba akumuliatorius stipriai kaista.	Elektrinės įrangos gedimas	► Perforatorių nedelsdami išjunkite. Akumuliatorių išimkite ir stebėkite. Leiskite jam atvėsti. Susisiekite su Hilti techninės priežiūros centru.
	Perforatorius perkrautas (viršyta leistina apkrova).	► Pasirinkite tinkamos galios prietaisą.
Įrankio neįmanoma ištraukti iš griebtuvo.	Įrankio griebtuvas nėra iki galo atitrauktas.	► Įrankio fiksatorių traukite atgal, kol atsirems, ir įrankį išimkite.



Sutrikimas	Galima priežastis	Sprendimas
Įrankis negręžia.	Įjungta perforatoriaus kairinė eiga.	▶ Dešininės / kairinės eigos perjungiklį nustatykite į dešininio sukimosi padėtį.

9 Utilizavimas

Hilti prietaisai yra pagaminti iš medžiagų, kurias galima naudoti antrą kartą. Būtina antrinio perdurbimo sąlyga yra tinkamas medžiagų išrūšiuavimas. Daugelyje šalių **Hilti** priiims Jūsų nebenaudojamą prietaisą perdurbiti. Apie tai galite pasiteirauti artimiausiame **Hilti** techninės priežiūros centre arba savo prekybos konsultanto.



- ▶ Elektrinių įrankių, elektroninių prietaisų ir akumuliatorių neišmeskite į buitinius šiukšlynus!

10 Gamintojo teikiama garantija

- ▶ Kilus klausimų dėl garantijos sąlygų, kreipkitės į vietinį **Hilti** partnerį.

Originalkassutusjuhend

1 Andmed kasutusjuhendi kohta

1.1 Käesoleva käsitemisjuhendi kohta

- Enne seadme kasutuselevõttu lugege läbi kasutusjuhend. See on ohutu kasutamise ja tõrgeteta töö eeldus.
- Järgige käesolevas kasutusjuhendis ja seadmel esitatud ohutusnõudeid ja hoiatusi.
- Hoidke kasutusjuhend alati toote juures ja andke toode teistele isikutele edasi ainult koos käesoleva kasutusjuhendiga.

1.2 Märkide selgitus

1.2.1 Hoiatused

Hoiatused annavad märku toote kasutamisel tekkivatest ohtudest. Kasutatakse järgmisi märksõnu:

OHT

OHT !

- ▶ Võimalikud ohtlikud olukorrad, mis võivad põhjustada kasutaja raskeid kehavigastusi või hukkumist.

HOIATUS

HOIATUS !

- ▶ Võimalik ohtlik olukord, mis võib põhjustada kasutaja raskeid kehavigastusi või hukkumist.

ETTEVAATUST

ETTEVAATUST !

- ▶ Võimalikud ohtlikud olukorrad, mis võivad põhjustada kehavigastusi või varalist kahju.

1.2.2 Sümbolid kasutusjuhendis

Käesolevas kasutusjuhendis kasutatakse järgmisi sümboleid:



Järgige kasutusjuhendit



Soovitusi seadme kasutamiseks ja muu kasulik teave



Taaskasutatavate materjalide käsitemine



	Elektrilisi tööriistu ja akusid ei tohi visata olmejäätmete hulka
	Hilti Li-Ion-aku
	Hilti Laadimisseade

1.2.3 Joonistel kasutatud sümbolid

Joonistel kasutatakse järgmisi sümboleid.

	Numbrid viitavad vastavatele joonistele kasutusjuhendi juhendi alguses.
3	Numbrid joonistel tähistavad tähtsaid toiminguid või toimingute jaoks tähtsaid detaile. Tekstis tõstetakse need toimingud või detailid vastava numbriga abil esile, näiteks (3) .
	Positsiooninumbreid kasutatakse joonisel Ülevaade ja need viitavad selgituste numbritele toote ülevaates .
	See märk näitab, et toote käsitlemisel tuleb olla eriti tähelepanelik.

1.3 Tootepõhised sümbolid

1.3.1 Tootete märgitud sümbolid

Tootel võib kasutada alljärgnevat sümboleid:

	Löögita puurimine
	Löökpuurimine
	Parem/vasak käik
n_0	Nimipöörlemiskiirus tühikäigul
/min	Pööret minutis
	Alalisvool
Li-Ion	Liitumioonaku
	Kasutatud Hilti Li-Ion-aku seeria. Pidage kinni peatükis Nõuetekohane kasutamine esitatud juhistest.
	Ärge kasutage akut kunagi löögiriistana.
	Ärge laske akul kunagi maha kukkuda. Ärge kasutage akut, mis on saanud löögi või on muul moel kahjustatud.
	Seade toetab NFC-tehnoloogiat, mis on ühildatav iOS- ja Android-platvormidega.

1.4 Tooteinfo

HILTI tooted on ette nähtud professionaalsele kasutajale ja neid tohivad käsitseda, hooldada ja korras hoida ainult volitatud ja asjaomase väljaõppega isikud. Nimetatud personal peab olema teadlik kõikidest kaasnevatest ohtudest. Seade ja sellega ühendatavad abivahendid võivad osutada ohtlikuks, kui neid ei kasutata nõuetekohaselt või kui nendega töötab vastava väljaõppeta isik.

Tüübitähis ja seerianumber on tüübisildil.

- ▶ Kandke seerianumber järgmise tabelisse. Andmeid toote kohta vajate meie esindusele või hooldekeskusele päringute esitamisel.

Tooteandmed

Tüüp:	TE 2-A22
Generatsioon:	02
Seerianumber:	



1.5 Vastavusdeklaratsioon

Kinnitame ainuvastutajana, et käesolevas kasutusjuhendis kirjeldatud seade vastab kehtivate direktiivide ja standardite nõuetele: Vastavustunnistuse koopia leiata käesoleva kasutusjuhendi lõpust.

Tehnilised dokumendid on saadaval:

Hilti Entwicklungsgesellschaft mbH | Zulassung Geräte | Hiltistraße 6 | 86916 Kaufering, DE

2 Ohutus

2.1 Üldised ohutusnõuded elektriliste tööriistade kasutamisel

⚠ HOIATUS! Lugege kõiki selle elektrilise tööriista juurde kuuluvaid ohutusjuhiseid, nõuandeid, jooniseid ja tehnilisi andmeid! Järgmiste juhiste eiramise tagajärg võib olla elektrilöök, tulekahju ja/või raskest vigastused.

Hoidke kõik ohutusnõuded ja juhised edaspidiseks kasutamiseks alles.

Ohutusjuhistes kasutatud mõiste "elektriline tööriist" käib võrgutoitega (toitejuhtmega) elektriliste tööriistade või akutoitega (toitejuhtmeta) elektriliste tööriistade kohta.

Ohutus töökohal

- ▶ **Hoidke oma töökoht puhas ja valgustage seda korralikult.** Korrastamata ja valgustamata töökoht võib põhjustada õnnetusi.
- ▶ **Ärge kasutage elektrilist tööriista plahvatusohtlikus keskkonnas, kus leidub tuleohtlikke vedelikke, gaase või tolmu.** Elektrilistest tööriistadest lööb sädeid, mis võivad tolmu või auru süüdata.
- ▶ **Hoidke lapsed ja kõik teised töökohast eemal, kui kasutate elektrilist tööriista!** Kui teie tähelepanu juhitakse kõrvale, võib seade teie kontrolli alt väljuda.

Elektriohutus

- ▶ **Elektrilise tööriista pistik peab sobima pistikupessa. Pistiku juures ei tohi teha mingeid muudatusi. Kaitsemaandusega seadmete puhul ei tohi kasutada adapterpistikuid.** Muutmata pistikud ja sobivad pistikupesad vähendavad elektrilöögiohtu.
- ▶ **Vältige keha kontakti maandatud pindadega (nt toru, radiaator, pliit, külmik).** Kui teie keha on maandatud, on elektrilöögi oht suurem.
- ▶ **Kaitske elektrilist tööriista vihma ja niiskuse eest.** Kui elektrilise tööriista sisse on sattunud vett, suurendab see elektrilöögiohtu.
- ▶ **Ärge kasutage ühenduskaablit elektrilise tööriista kandmiseks, riputamiseks ega pistiku stepslist väljatõmbamiseks!** Hoidke ühenduskaablit eemal kuumusest, õlidest, teravatest servadest ja liikuvatest osadest. Kahjustatud või keerdu ühenduskaablid suurendavad elektrilöögiohtu.
- ▶ **Kui töötate elektrilise tööriistaga vabas õhus, kasutage ainult selliseid pikendusjuhtmeid, mida tohib kasutada ka välitingimustes.** Välitingimustes sobiva pikendusjuhtme kasutamine vähendab elektrilöögiohtu.
- ▶ **Kui seadmega töötamine niiskes keskkonnas on vältimatu, kasutage rikkevoolu kaitselülitit.** Rikkevoolu kaitselülitit kasutamine vähendab elektrilöögiohtu.

Inimeste ohutus

- ▶ **Olge tähelepanelik, jälgige, mida teete, ja toimige elektrilise tööriistaga töötades kaalutletult. Ärge tööta elektrilise tööriistaga, kui olete väsinud või alkoholi, narkootikumide või ravimite mõju all!** Hetkeline tähelepanematus elektrilise tööriista kasutamisel võib põhjustada raskeid kehavigastusi ja varalist kahju.
- ▶ **Kandke isiklikke kaitsevahendeid ja alati kaitseprille.** Isiklike kaitsevahendite, nt tolmumaski, libisemiskindlate turvajalatsite, kaitsekiivri või kuulmiskaitsevahendite kandmine (sõltuvalt elektrilise tööriista tüübist ja kasutusala) vähendab vigastusohtu.
- ▶ **Vältige elektrilise tööriista soovimatut käivitamist! Enne elektrilise tööriista ühendamist vooluvõrku ja/või elektrilise tööriista aku paigaldamist, tööriista ülestõstmist ja kandmist veenduge, et elektriline tööriist on välja lülitatud!** Kui hoiate elektrilise tööriista kandmisel sõrme lülil või ühendate vooluvõrku sisselülitatud tööriista, võib juhtuda õnnetus.
- ▶ **Enne elektrilise tööriista sisselülitamist eemaldage selle küljest seade- ja mutrivõtmed.** Elektrilise tööriista pöörleva osa küljes olev seade- või mutrivõti võib põhjustada vigastusi.
- ▶ **Vältige ebatavalist tööasendit! Võtke stabiilne tööasend ja säilitage alati tasakaal.** Nii saate elektrilist tööriista ootamatutes olukordades paremini kontrollida.
- ▶ **Kandke sobivat rõivastust. Ärge kandke laiu riideid ega ehteid! Hoidke juuksed, rõivad ja kindad seadme liikuvatest osadest eemal.** Lotendavad riided, ehted ja pikad juuksed võivad sattuda seadme liikuvate osade vahele.



- ▶ **Kui elektrilise tööriista külge on võimalik paigaldada tolmuemaldus- ja kogumiseseadiseid, veenduge, et need on tööriistaga ühendatud ja et neid kasutatakse nõuetekohaselt.** Tolmuemalduseseadise kasutamine võib vähendada tolmu taset ning terviklikult.
- ▶ **Ärge laske tekkida petlikul turvatundel ega eirake elektrilise tööriista ohutusreegleid isegi siis, kui olete pärast paljukordset kasutamist elektrilise tööriistaga harjunud.** Tähelepanematu käsitsemise võib sekundi mürdosa jooksul kaasa tuua raskeid vigastusi.

Elektrilise tööriista kasutamine ja käsitsemine

- ▶ **Ärge koormake seadet üle!** Kasutage konkreetseks tööks sobivat elektrilist tööriista. See töötab ettenähtud jõudluspiirides tõhusamalt ja ohutumalt.
- ▶ **Ärge kasutage elektrilist tööriista, mille lüliti on rikkis!** Elektriline tööriist, mida ei saa enam lülitist korralikult sisse ja välja lülitada, on ohtlik ning tuleb viia parandusse.
- ▶ **Tõmmake enne seadme mis tahes seadetoiteid, tarvikute vahetamist ja seadme hoivulepanekut pistikupesast välja ja/või eemaldage äravõetav aku.** See ettevaatusabinõu hoiab ära seadme soovimatu käivitumise.
- ▶ **Kasutusvälisel ajal hoidke elektrilist tööriista lastele kättesaamatus kohas.** Ärge laske seadet kasutada isikudel, kes seadme tööpõhimõtet ei tunne või ei ole lugenud käesolevaid kasutusjuhendeid. Asjatundmatute isikute käes on elektrilised tööriistad ohtlikud.
- ▶ **Hooldage elektrilisi tööriistu ja tarvikuid korralikult. Kontrollige, kas liikuvad osad töötavad veatult ega kiilu kiini.** Veenduge, et seadme osad ei ole murdunud või kahjustatud määral, mis mõjutab seadme töökindlust. Laske kahjustatud osad enne seadme kasutamist parandada. Ebapiisavalt hooldatud elektrilised tööriistad põhjustavad õnnetusi.
- ▶ **Hoidke löiketarvikud teravad ja puhtad.** Hästi hooldatud, teravate löikeservadega löiketarvikud kiiluvad harvemini kinni ja neid on lihtsam juhtida.
- ▶ **Kasutage elektrilist tööriista, tarvikuid ja lisatarvikuid vastavalt nende juhiste.** Arvestage seejuures töötingimuste ja tehtava töö iseloomuga. Elektrilise tööriista kasutamine otstarbel, milleks see ei ole ette nähtud, võib põhjustada ohtlikke olukordi.
- ▶ **Käepidemed ja haardepinnad peavad olema kuivad, puhtad ning vabad õlist ja rasvast.** Libedad käepidemed ja haardepinnad ei võimalda elektrilist tööriista ootamatutes olukordades kindlalt käsitseta ega kontrollida.

Akuga tööriista kasutamine ja käsitsemine

- ▶ **Laadige akusid ainult tootja soovitatud laadimiseseadmega.** Kui teatud tüüpi aku laadimiseks ettenähtud laadimiseseadet kasutatakse teist tüüpi akude laadimiseks, tekib tulekahjuoht.
- ▶ **Kasutage elektrilistes tööriistades ainult ettenähtud akusid.** Teist tüüpi akude kasutamine võib põhjustada vigastus- ja põlenguohtu.
- ▶ **Hoidke akud kasutusvälisel ajal eemal kirjaklambritest, müntidest, võtmetest, naeltest, kruvidest ja teistest väikestest metall-esemetest, mis võivad aku kontaktid omavahel ühendada.** Aku kontaktide vahel tekkiv lühis võib põhjustada põletuse või tulekahju.
- ▶ **Väärkasutuse korral võib akuedelik akust välja voolata.** Vältige sellega kokkupuudet. Juhusliku kokkupuute korral loputage kahjustatud kohta veega. Kui vedelik satub silma, otsige ka arstiabi. Väljavoolav akuedelik võib põhjustada nahaärritust või põletust.
- ▶ **Ärge kasutage kahjustatud ega modifitseeritud akut!** Kahjustatud või modifitseeritud akud võivad käituda ettenägematult ja põhjustada tulekahju, plahvatuse või vigastusohtu.
- ▶ **Ärge laske akul kokku puutuda tule ega liiga kõrge temperatuuriga!** Tuli või temperatuur üle 130 °C (265 °F) võivad tekitada plahvatuse.
- ▶ **Järgige kõiki laadimisjuhiseid ja ärge kunagi laadige akut ega akutööriista väljaspool kasutusjuhendis näidatud temperatuurivahemikku.** Väär laadimine või laadimine väljaspool lubatud temperatuurivahemikku võib kahjustada akut ja suurendada tuleohtu.

Hooldus

- ▶ **Laske elektrilist tööriista parandada ainult kvalifitseeritud spetsialistidel, kes kasutavad originaalvaruosi.** Nii on tagatud elektrilise tööriista ohutu töö.
- ▶ **Ärge hooldage kahjustatud akut!** Akut võib hooldada ainult tootja või volitatud klienditeenindus.

2.2 Ohutusnõuded puurvasaratega töötamisel

Ohutusnõuded kõikide tööde puhul

- ▶ **Kandke kuulmiskaitsevahendeid.** Müra võib kahjustada kuulmist.
- ▶ **Kasutage tarnekomplekti kuuluvaid lisakäepidemeid.** Kontrolli kaotus seadme üle võib põhjustada vigastusi.



- ▶ **Kui teete töid, mille puhul võib tarvik tabada varjatud elektrijuhtmeid, hoidke seadet isoleeritud haardepinnast.** Kokkupuude pingestatud elektrijuhtmega võib seada pinge alla ka seadme metalldetailid ja põhjustada elektrilöögi.

Ohutusnõuded pikkade puuride kasutamisel

- ▶ **Alustage puurimist alati madalatel pööretel ja veenduge, et puur puutub toorikuga kokku.** Kõrgematel pööretel võib puur veidi painduda, kui puuril on võimalik toorikus ilma kokkupuuteta vabalt pöörelda, ning tagajärjeks võivad olla kehavigastused ja varaline kahju.
- ▶ **Ärge rakendage liigset survet ning rakendage survet üksnes puuri suhtes pikisuunas.** Puurid võivad painduvad ja seetõttu murduda või tuua kaasa kontrolli kaotuse ning kehavigastuste ja varalise kahju tekke.

2.3 Täiendavad ohutusnõuded puurvasara kasutamisel

Inimeste turvalisus

- ▶ Kasutage seadet ja lisatarvikuid ainult siis, kui nende tehniline seisukord on veatu.
- ▶ Ärge kunagi muutke ega modifitseerige seadet ega lisatarvikuid.
- ▶ Kasutage koos seadmega tarnekomplekti kuuluvaid lisakäepidemeid. Kontrolli kaotus seadme üle võib põhjustada vigastusi.
- ▶ Läbistavate tööde korral ümbritsege kaitsepiiridega töödeldava koha taha jääv ala. Väljamurtavad tükid võivad välja ja/või alla kukkuda ning teisi inimesi vigastada.
- ▶ Hoidke seadet ettenähtud käepidemetest alati mõlema käega. Hoidke käepidemed kuivad ja puhtad.
- ▶ Hoidke seadet üksnes isoleeritud käepidemest, kui teete töid, mille puhul võib tarvik tabada varjatud elektrijuhtmeid. Kokkupuude pingestatud elektrijuhtmega võib seada pinge alla ka seadme metalldetailid ja põhjustada elektrilöögi.
- ▶ Vältige kokkupuudet seadme pöörlevate osadega - vigastuste oht!
- ▶ Seadme kasutamise ajal kandke kaitseprille, kaitsekiivrit, kuulmiskaitsevahendeid ja sobivat hingamisteede kaitsemaski.
- ▶ Tarviku vahetamisel kandke kaitsekindaid. Tarviku puudutamine võib tekitada löikehaavu ja põletusi.
- ▶ Kasutage kaitseprille. Materjalist väljalendavad killud võivad tekitada keha- ja silmavigastusi.
- ▶ Lihvimisel, lõikamisel ja puurimisel tekkiv tolm võib sisaldada ohtlikke kemikaale. Mõned näited: plii või pliipõhised värvid; tellis, betoon ja muu müüritis, looduskivi ja muud silikaati sisaldavad tooted; teatud tüüpi puit, näiteks tamm, pöök ja keemiliselt töödeldud puit; asbest või asbesti sisaldavad materjalid. Tehke kindlaks kasutaja ja teiste läheduses viibivate isikutega kokkupuute tase, arvestades töödeldavate materjalide ohuklassi. Võtke vajalikud meetmed, et hoida kokkupuude ohutul tasemel, nt kasutage tolmukogumissüsteemi või kandke sobivat hingamisteede kaitse maski. Kokkupuute vähendamise üldiste meetmete hulka kuuluvad:
 - ▶ töötamine hästi ventileeritud piirkonnast,
 - ▶ tolmuga pikaajalise kokkupuute vältimine,
 - ▶ tolmueemaljuhtimine näost ja kehast,
 - ▶ kaitserõivaste kandmine ja nähtavate kohtade pesemine vee ja seebiga.
- ▶ Tehke tihti pause ja sirutage sõrmi, et parandada verevarustust. Pikemaajalisel töötamisel võib tugev vibratsioon tekitada häireid sõrmede, käte või randmeliigeste veresoonte ja närvisüsteemi toimimises.

Elektriohutus

- ▶ Veenduge enne töö alustamist, et tööpiirkonnas ei ole varjatult paigaldatud elektrikaableid ega gaasi- ja veetorustikke. Pingestatud elektrijuhtme, gaasi- või veetoru vigastamise korral võivad seadme välised metallosad sattuda põhjustada plahvatuse või elektrilöögi.

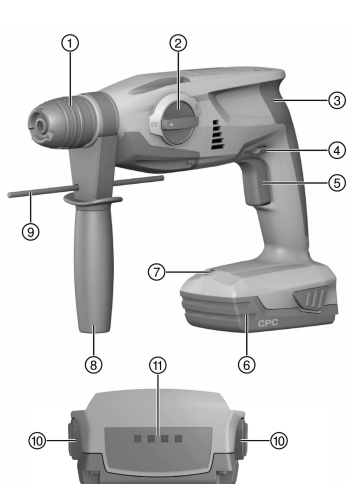
Elektriliste tööriistade hoolikas käsitsemine ja kasutamine

- ▶ Lülitage seade kohe välja, kui tarvik kinni kiilub. Seade võib külgsuunas liikuda.
- ▶ Enne käestpanekut oodake, kuni seade on täielikult seiskunud.



3 Kirjeldus

3.1 Toote ülevaade 1



- ① PadrunTE-C Click
- ② Töörežiimilüliti
- ③ Käepide
- ④ Sisselülitustõkisega reverslüli
- ⑤ Juhtlüli
- ⑥ Aku
- ⑦ Töökohta valgustav tuli
- ⑧ Lisakäepide
- ⑨ Sügavuspiirik
- ⑩ Vabastusklahvid koos lisafunktsiooniga laetuse astme näidu aktiveerimiseks
- ⑪ Aku laetuse astme näidik

3.2 Sihipärane kasutamine

Kirjeldatud toode on akutoitega puurvasar. See on ette nähtud terase, puidu ja müüritise puurimiseks ning betooni ja müüritise lõõkpuurimiseks ning kruvide sisse- ja väljakeeramiseks.

- Kasutage selle toote jaoks ainult **Hilti B 22** tüüpi liitumioonakusid.
- Nende akude laadimiseks kasutage üksnes **Hilti** heakskiidetud akulaadijaid. Lisateavet leiate müügiesindusest **Hilti Store** või veebilehelt: www.hilti.group

3.3 Liitumioonaku näidik

Liitumioonaku kasutamisel saab kuvada aku laetuse astet, selleks tuleb vajutada ühele vabastusnupule.

Seisund	Tähendus
4 LED-tuld põlevad.	Laetuse tase: 75% kuni 100%
3 LED-tuld põlevad.	Laetuse tase: 50% kuni 75%
2 LED-tuld põlevad.	Laetuse tase: 25% kuni 50%
1 LED-tuli põleb.	Laetuse tase: 10% kuni 25%
1 LED-tuli vilgub.	Laetuse tase: < 10%

Töötamise ajal ja vahetult pärast töö lõppu ei ole võimalik aku laetuse astet teada saada. Kui aku laetuse astme LED-tuled vilguvad, järgige peatükis Veatsing toodud juhiseid.

3.4 Tarnekomplekt

Puurvasar, lisakäepide, sügavuspiirik, kasutusjuhend.

Tolmueemaldusmoodul TE DRS-S on lisatarvik tolmuwabaks tööks.

Muud süsteemitooded leiate müügiesindusest **Hilti Store** või veebisaidilt: www.hilti.group



4 Tehnilised andmed

4.1 Puurvasar

	TE 2-A22
Nimipinge	21,6 V
Kaal EPTA Procedure 01 järgi koos akuga B228.0	3,3 kg
Puuri läbimõõt betoonis/müüritises (löökpuurimine)	4 mm ... 16 mm
Puuritava ava läbimõõt metallis (täispuur)	0 mm ... 10 mm
Sügavuspiiriku max pikkus	180 mm

4.2 Andmed müra ja vibratsiooni kohta vastavalt standardile EN 62841

Käesolevas juhendis märgitud helirõhu- ja vibratsioonitase on mõõdetud standarditud mõõtemeetodil ja seda saab kasutada elektriliste tööriistade omavaheliseks võrdlemiseks. See sobib ka vibratsiooni- ja mürataseme esialgseks hindamiseks.

Toodud näitajad iseloomustavad elektrilise tööriista põhilisi ettenähtud töid. Kui aga elektrilist tööriista kasutatakse muul otstarbel, teiste tarvikutega või kui tööriista on ebapiisavalt hooldatud, võivad näitajad käesolevas juhendis toodud näitajatest kõrvale kalduda. See võib vibratsiooni- ja mürataset töötamise koguperioodil tunduvalt suurendada.

Müra- ja vibratsioonitaseme täpseks hindamiseks tuleb arvesse võtta ka aega, mil elektriline tööriist oli välja lülitatud või küll sisse lülitatud, kuid tegelikult tööle rakendamata. See võib vibratsiooni- ja mürataset töötamise koguperioodil tunduvalt vähendada.

Kasutaja kaitseks müra ja/või vibratsiooni eest võtke tarvitusele täiendavaid kaitsemeetmeid, näiteks: hooldage elektrilist tööriista ja tarvikuid korralikult, hoidke käed soojad, tagage sujuv töökorraldus.

Mürataave

Helivõimsustase (L_{WA})	103 dB(A)
Helirõhutase (L_{pA})	92 dB(A)
Mõõtemääramatus (heli väärtused) (K_{pA} ja K_{WA})	3 dB(A)

Vibratsiooni kogutase

Metalli puurimine ($a_{n,D}$)	B 22/2.6 Li-Ion (01)	2,5 m/s ²
Betooni löökpuurimine ($a_{n,HD}$)	B 22/2.6 Li-Ion (01)	12,7 m/s ²
Mõõtemääramatus (vibratsiooni koguväärtused)		1,5 m/s ²

4.3 Aku

Aku tööpinge	21,6 V
Ümbritseva keskkonna temperatuur töötamise ajal	-17 °C ... 60 °C
Hoiutemperatuur	-20 °C ... 40 °C
Aku temperatuur laadimise alguses	-10 °C ... 45 °C

5 Käsitsemine

5.1 Töö ettevalmistamine

HOIATUS

Vigastuste oht soovimatu käivitumise tõttu!

- ▶ Enne aku paigaldamist veenduge, et selle juurde kuuluv seade on välja lülitatud.
- ▶ Enne seadme seadistamist ja tarvikute vahetamist eemaldage seadme aku.

Järgige kasutusjuhendis esitatud ja tootele märgitud ohutusnõudeid ja hoiatusi.

5.1.1 Lisakäepideme paigaldamine

1. Keerake käepidet, et lisakäepideme kinnitusmehhanismi (kinnitusriba) vabastada.



2. Lükake kinnitusmehhanism (kinnitusriba) eest üle padruni selleks ettenähtud soonde.
3. Seadke lisakäepide soovitud asendisse.
4. Keerake käepidet, et lisakäepideme kinnitusmehhanismi (kinnitusriba) pingutada.

5.1.2 Aku paigaldamine

1. Asetage aku seadme hoidikusse, nii et fikseerub kuuldavalt kohale.
2. Kontrollige aku kindlat kinnitumist.

5.1.3 Aku eemaldamine

1. Vajutage aku vabastusnuppudele.
2. Tõmmake aku suunaga taha välja.

5.1.4 Tarviku paigaldamine

1. Määrige tarviku padrunisse kinnitavat osa veidi.
 - ▶ Kasutage üksnes Hilti originaalmääret. Vale määre võib seadet kahjustada.
2. Torgake tarvik lõpuni padrunisse ja laske kohale fikseeruda.
3. Pärast paigaldamist tõmmake tarvikust, et kontrollida, kas see on kindlalt kinni.
 - ▶ Seade on töövalmis.

5.1.5 Tarviku eemaldamine

ETTEVAATUST

Tarvikust tingitud kehavigastuste oht! Tarvik võib olla kuum või teravate servadega.

- ▶ Tarviku vahetamisel kandke kaitsekindaid.

- ▶ Tõmmake padruni lukustus lõpuni tagasi ja eemaldage tarvik.

5.1.6 Sügavuspiiriku paigaldamine (lisavarustus)

1. Keerake käepidet, et lisakäepideme kinnitusmehhanismi (kinnitusriba) vabastada.
2. Lükake sügavuspiirik eest selleks ette nähtud 2 juhtauku.
3. Keerake käepidet, et lisakäepideme kinnitusmehhanismi (kinnitusriba) pingutada.

5.2 Töötamine

ETTEVAATUST

Vigastuste oht vale käsitsemise tõttu!

- ▶ Ärge vajutage reversilülitle või funktsiooni valiku lülitle ajal, mil seade töötab.

Järgige kasutusjuhendis esitatud ja tootele märgitud ohutusnõudeid ja hoiatusi.

5.2.1 Töökohta valgustav tuli



LED aktiveerub juhtlülitle vajutamisel automaatselt. Pärast juhtlüliti vabastamist kustub LED-tuli aeglaselt.

- ▶ Vajutage juhtlülitle.

5.2.2 Pöörlemissuund

- ▶ Reguleerige välja pöörlemissuund.
 - ▶ Lüliti fikseerub selles asendis.

5.2.3 Löögita puurimine

- ▶ Seadke töörežiimilüliti sümbolile:

5.2.4 Löökpuurimine

- ▶ Seadke töörežiimilüliti sümbolile:



6 Hooldus ja korrashoid

6.1 Hooldus ja korrashoid

HOIATUS

Vigastuste oht paigaldatud aku korral !

- ▶ Enne mis tahes hooldus- ja korrashoiutöid eemaldage seadmest aku!

Toote hooldus

- Kõvasti kinni olev mustus eemaldage ettevaatlikult.
- Ventilatsiooniavad puhastage ettevaatlikult kuiva, pehme harjaga.
- Puhastage korpust ainult veidi niiske lapiga. Ärge kasutage silikooni sisaldavaid hooldusvahendeid, sest need võivad kahjustada seadme plastdetalle.
- Seadme kontaktide puhastamiseks kasutage puhast kuiva lappi.

Liitium-ioonakude hooldus

- Ärge kunagi kasutage akut, mille ventilatsiooniavad on ummistunud. Puhastage ventilatsiooniavasid ettevaatlikult kuiva, pehme harjaga.
- Kaitske akut tolmu ja mustuse eest. Ärge jätke akut kunagi suure niiskuse kätte (ärge asetage seda vette ja ärge jätke vihma kätte).
Kui aku on märjaks saanud, siis käsitlege seda nii, nagu oleks see kahjustatud. Isoleerige aku tulekindlas anumas ja pöörduge **Hilti** hooldekeskusesse.
- Hoidke aku puhas õlist ja rasvast. Vältige akusse asjatult tolmu ja mustuse kogunemist. Puhastage akut kuiva pehme harjaga või puhta kuiva lapiga. Ärge kasutage silikooni sisaldavaid hooldusvahendeid, sest need võivad kahjustada seadme plastdetalle.
Ärge puudutage aku kontakte ja ärge eemaldage kontaktidelt tehases peale kantud mäaret.
- Puhastage korpust ainult veidi niiske lapiga. Ärge kasutage silikooni sisaldavaid hooldusvahendeid, sest need võivad kahjustada seadme plastdetalle.

Korrashoid

- Kontrollige regulaarselt, kas kõik nähtavad osad on terved ja juhtelemendid töötavad veatult.
- Ärge kasutage seadet kahjustuste ja/või tõrgete korral. Laske seade kohe parandada **Hilti** hooldekeskuses.
- Pärast hooldus- ja korrashoiutöid paigaldage kõik kaitseseadised ja kontrollige, kas need töötavad veatult.



Ohutu töö tagamiseks kasutage ainult originaalvaruosi ja -materjale. **Hilti** heakskiidetud varuosad, materjalid ja lisatarvikud oma tootele leiate müügiesindusest **Hilti Store** või veebilehelt: www.hilti.group

6.2 Tolmukaitsekatte puhastamine

- ▶ Puhastage padruni tolmukaitsekattet regulaarselt puhta kuiva lapiga.
- ▶ Pühkige tihend ettevaatlikult puhtaks ja määrige seda kergelt **Hilti** määrdega.
- ▶ Kui tihend on kahjustatud, tuleb tolmukaitsekate välja vahetada.

7 Transport ja hoiustamine

7.1 Akutööriistade ja akude transport ja ladustamine

Transport

ETTEVAATUST

Soovimatu käivitumine transportimisel !

- ▶ Transportige tooteid ilma akudeta!
- ▶ Eemaldage aku/akud.
- ▶ Ärge kunagi transportige akusid lahtiselt. Enne aku transportimist tuleb aku pakendada nii, et see oleks kaitstud löökide ja vibratsiooni eest ning isoleeritud kõikidest elektrit juhtivatest materjalidest või teistest akudest, et vältida kokkupuudet teise aku poolustega ning lühise teket. **Järgige akude transporti suhtes kehtivaid riigisisesid nõudeid.**
- ▶ Akusid ei tohi saata posti teel. Kahjustamata akude saatmiseks pöörduge logistikaettevõtja poole.



- ▶ Iga kord enne kasutamist ning enne ja pärast pikemat transporti või hoiustamist kontrollige seadet ja akusid vigastuste suhtes.

Hoiustamine

HOIATUS

Defektsed akud või lekkivad akud võivad tekitada vigastusi !

- ▶ Kasutusvälisel ajal eemaldage seadmest aku!

- ▶ Hoidke seadet ja akusid jahedas ja kuivas kohas. Pidage kinni tehnilistes andmetes toodud temperatuuripiirangutest.
- ▶ Ärge hoidke akusid laadimisseadmes. Pärast laadimist eemaldage aku laadimisseadmest.
- ▶ Ärge hoidke akusid päikese käes, radiaatori peal või klaasi taga.
- ▶ Hoidke seadet ja akusid lastele ja kõrvalistele isikutele ligipääsmatus kohas.
- ▶ Iga kord enne kasutamist ning enne ja pärast pikemaajalist seismist kontrollige seadet ja akusid kahjustuste suhtes.

8 Veatsing

8.1 Abi tõrgete puhul

Kui peaks esinema tõrge, mida ei ole järgmises tabelis nimetatud või mida Te ei suuda ise kõrvaldada, pöörduge **Hilti** hooldekeskusse.

8.2 Puurvasarat ei saa tööle rakendada

Tõrge	Võimalik põhjus	Lahendus
Puurvasar ei käivitu.	Puurvasarale on avaldunud ülekoormus.	▶ Lülitage puurvasar välja, eemaldage aku ja ärge jätkake puurvasaraga töötamist.
LED-tuled ei tööta.	Aku ei ole täielikult sisse pandud.	▶ Laske akul topeltklõpsuga kohale fikseeruda.
	Aku on tühi.	▶ Vahetage aku välja ja laadige tühi aku täis.
	Aku on liiga kuum või liiga külm.	▶ Laske akul soojeneda/jahutada soovituslikule töötemperatuurile.
1 LED vilgub.	Aku on tühi.	▶ Vahetage aku välja ja laadige tühi aku täis.
	Aku on liiga kuum või liiga külm.	▶ Laske akul soojeneda/jahutada soovituslikule töötemperatuurile.
4 LED-tuld vilguvad.	Puurvasarale on avaldunud lühiajaliselt ülekoormus.	▶ Vabastage juhtlülitit ja vajutage sellele uuesti.
	Ülekuumenemiskaitse.	▶ Laske puurvasaral jahutada ja puhastage ventilatsioonivavad.

8.3 Puurvasarat saab tööle rakendada

Tõrge	Võimalik põhjus	Lahendus
Puudub löögifunktsioon.	Puurvasar on liiga külm.	▶ Asetage puurvasar maha ja laske sellel töötada tühikäigul. Vajaduse korral korrake seni, kuni löögimehhanism töötab.
	Töörežiimilülitit on asendis "Löögita puurimine" .	▶ Seadke töörežiimilülitit asendisse "Löökpuurimine" .
Juhtlülitit ei saa käsitseda või see on kinni kiilunud.	Reverslülitit on keskasendis.	▶ Viige reverslülitit vasakule või paremale.



Törge	Vöimalik põhjus	Lahendus
Spindel ei pöörle.	Puurvasara elektroonika temperatuur on lubatud töötemperatuurist kõrgem.	▶ Laske puurvasaral jahtuda.
	Aku on tühi.	▶ Vahetage aku välja ja laadige tühi aku täis.
Puurvasar lülitub automaatselt välja.	Rakendub ülekoormuskaitse.	▶ Vabastage juhtlüli. Laske puurvasaral jahtuda. Vajutage juhtlüli uuesti alla. Vähendage seadmele avalduvat koormust.
Aku tühjeneb tavalisest kiiremini.	Aku seisund ei ole optimaalne.	▶ Vahetage aku välja.
Aku ei fikseeru kuuldava topeltklõpsuga kohale.	Aku lukustusmehhanism on määratud.	▶ Puhastage fiksaatorninaid ja paigaldage aku uuesti.
Puurvasar või aku läheb väga kuumaks.	Elektriga seotud rike	▶ Lülitage puurvasar kohe välja. Eemaldage aku ja ärge jätke seda järelevalveta. Laske akul jahtuda. Võtke ühendust Hilti hooldekeskusega.
	Puurvasarale on avaldunud ülekoormus (jõudluspiirid on ületatud).	▶ Valige konkreetseks tööks sobiv seade.
Tarvikut ei saa lukustusest vabastada.	Padrun ei ole täielikult tagasi tõmmatud.	▶ Tõmmake padruni lukustus lõpuni tagasi ja eemaldage tarvik.
Tarvik ei tungi sisse.	Puurvasar on lülitatud vasakule käigule.	▶ Seadke reverslüli paremale käigule.

9 Utiliseerimine

Hilti seadmed on suures osas valmistatud taaskasutatavatest materjalidest. Taaskasutuse eelduseks on materjalide korralik sorteerimine. Paljudes riikides kogub **Hilti** kasutusressursi ammendanud seadmed kokku. Lisateavet saate **Hilti** müügiesindusest.



- ▶ Ärge visake kasutusressursi ammendanud elektrilisi tööriistu, elektroonikaseadmeid ja akusid olmejäätmete hulka!

10 Tootja garantii

- ▶ Garantiitingimusi puudutavates küsimustes pöörduge oma kohaliku **Hilti** partneri poole.

Түпнұсқа пайдалану бойынша нұсқаулық

1 Пайдалану бойынша нұсқаулық туралы мәліметтер

1.1 Бұл құжаттама туралы



Импорттауыш және өндірушінің өкілетті ұйымы

- (RU) Ресей Федерациясы
"Хилти Дистрибуьон ЛТД" АҚ, 141402, Мәскеу облысы, Химки қ., Ленинградская к-сі, 25-бет, 15.26-құрылымы
- (BY) Беларусь Республикасы
"Хилти БиУай" ЖШС, 222750, Минск облысы, Дзержин ауданы, Р-1, 18 км, 2 (Слободка ауылының жанында), 1-34 құрылымы



- (KZ) Қазақстан Республикасы
"Хилти Қазақстан" ЖШС, 050057, Алматы қ., Бостандық ауданы, Тимирязев к-сі, 42/15 үй, литер 012 (15 корпус)
- (KG) Қырғыз Республикасы
"Т AND Т" ЖШҚ, 720021, Қырғызстан, Бішкек қ., Ибраимов көш., 29 А үйі
- (AM) Армения Республикасы
"ЭЙЧ-КОН" ЖШҚ, 0070, Ереван қ., Ерманда Кочар к-сі, 19/28

Өндiрiлген елi: жабдықтағы белгiлеу тақтайшасын қараңыз.

Өндiрiлген күнi: жабдықтағы белгiлеу тақтайшасын қараңыз.

Тiмiстi сертификатты мына мекенжай бойынша табуға болады: www.hilti.ru

Сақтау, тасымалдау және пайдалану шарттарына пайдалану бойынша нұсқаулықта белгiленгеннен басқа арнайы талаптар қойылмайды.

Өнiмнiң қызмет ету мерзiмi 5 жыл.

- Иске қосу алдында осы пайдалану бойынша нұсқаулықты оқып шығыңыз. Бұл қауiпсiз жұмыс пен ақаусыз басқару үшiн алғышарт болып табылады.
- Осы пайдалану бойынша нұсқаулықтағы және өнiмдегi қауiпсiздiк және ескерту нұсқауларын орындаңыз.
- Пайдалану бойынша нұсқаулықты әрдайым өнiмде сақтаңыз және өнiмдi басқа тұлғаларға тек осы пайдалану бойынша нұсқаулықпен бiрге тапсырыңыз.

1.2 Шартты белгiлердiң анықтамасы

1.2.1 Ескерту

Ескертулер өнiмдi қолдану барысындағы қауiптер туралы ескертедi. Төмендегi сигналдық сөздер пайдаланылады:



ҚАУІПТІ

ҚАУІПТІ !

- ▶ Ауыр жарақаттарға әкелетін немесе өмірге қауіп төндіретін тікелей қауіпті жағдайдың жалпы белгіленуі.



ЕСКЕРТУ

ЕСКЕРТУ !

- ▶ Ауыр жарақаттарға әкелуі немесе өмірге қауіп төндіруі мүмкін ықтимал қауіпті жағдайдың жалпы белгіленуі.



АБАЙЛАҢЫЗ

АБАЙЛАҢЫЗ !

- ▶ Жарақат алуға немесе мүлiктiң зақымдалуына әкелуi мүмкiн ықтимал қауiпті жағдайдың жалпы белгiленуi.

1.2.2 Пайдалану бойынша нұсқаулықтағы белгiлер

Бұл пайдалану бойынша нұсқаулықта төмендегi белгiлер пайдаланылады:

	Пайдалану бойынша нұсқаулықты ұстану
	Аспапты пайдалану бойынша нұсқаулар және басқа пайдалы ақпарат
	Қайта пайдалануға болатын материалдармен жұмыс iстеу
	Электр аспаптарды және аккумуляторларды тұрмыстық қоқысқа тастамаңыз
	Hilti Li-Ion аккумуляторы
	Hilti зарядтағыш құрылғысы



1.2.3 Суреттердегі белгілер

Суреттерде төмендегі белгілер қолданылады:

	Бұл сандар осы пайдалану бойынша нұсқаулықтың басындағы тиісті суретке сәйкес келеді.
3	Суреттердегі нөмірлер маңызды жұмыс кезеңдерін немесе жұмыс кезеңдері үшін маңызды құрамдас бөлшектерді көрсетеді. Мәтінде бұл жұмыс кезеңдері немесе құрамдас бөлшектері сәйкес сандармен ерекшеленеді, мысалы, (3).
	Позиция нөмірлері Шолу суретінде қолданылады және Өнімге шолу мақаласындағы шартты белгілердің нөмірлеріне сілтейді.
	Аталмыш белгілер өнімді қолдану барысында айрықша назарыңызды аудартады.

1.3 Өнімге қатысты белгілер

1.3.1 Өнімдегі белгілер

Өнімде төмендегі белгілер пайдаланылуы мүмкін:

	Соққысыз бұрғылау
	Соққымен бұрғылау (соғатын бұрғылау)
	Айналу бағытын өзгерту
n_0	Жүктемесіз номиналды айналу жиілігі
/min	Айналым/минут
	Тұрақты ток
Li-Ion	Литий-иондық аккумулятор
	Пайдаланылған Hilti литий-ион аккумуляторларының сериясы. Қолдану мақсаты бөліміндегі нұсқауларды орындаңыз.
	Аккумуляторды еш жағдайда соқпа құрал ретінде пайдаланбаңыз.
	Аккумуляторды құлатып жібермеңіз. Соққы тиген немесе басқа жолмен зақымдалған аккумуляторды пайдаланбаңыз.
	Құрылғы iOS және Android платформаларымен үйлесімді NFC технологиясын қолдайды.

1.4 Өнім туралы ақпарат

өнімдері кәсіби пайдаланушыларға арналған және оларды тек қана өкілетті, білікті қызметкерлер пайдалануы, күтім және техникалық қызмет көрсетуі тиіс. Қызметкерлер қауіпсіздік техникасы бойынша арнайы нұсқау алуы керек. Өнім мен оның қосалқы құралдарын басқа мақсатта қолдану немесе олардың оқытылмаған қызметкерлердің тарапынан пайдаланылуы қауіпті.

Түр сипаттамасы мен сериялық нөмір фирмалық тақтайшада берілген.

- Сериялық нөмірді төмендегі кестеге көшіріп қойыңыз. Өнім туралы мәліметтерді өкілдігімізге немесе қызмет көрсету бөлімімізге сұрау беру арқылы алуға болады.

Өнім туралы мәліметтер

Түрі:	TE 2-A22
Буын:	02
Сериялық нөмір:	

1.5 Сәйкестілік декларациясы

Біз осы нұсқаулықта сипатталған өнімнің қолданыстағы директивалар мен нормативтерге сәйкес келетінін толық жауапкершілікпен жариялаймыз. Сәйкестілік декларациясының суреті осы құжаттаманың соңында орналасқан.



2 Қауіпсіздік

2.1 Электр құралдары үшін қауіпсіздік техникасы бойынша жалпы нұсқаулар

⚠ ЕСКЕРТУ Бұл электр құралына арналған барлық қауіпсіздік нұсқауларын, нұсқауларды, суреттерді және техникалық деректерді оқып шығыңыз. Төменде берілген нұсқауларды орындамай электр тогының соғуына, өртке әкелуі мүмкін және/немесе ауыр жарақаттарды тудыруы мүмкін.

Қауіпсіздік техникасы бойынша барлық нұсқауларды және нұсқауларды келесі пайдаланушы үшін сақтаңыз.

Қауіпсіздік нұсқауларында қолданылатын «электр құралы» термині электр желісінен (желілік кабельмен) және аккумулятордан (желілік кабельсіз) жұмыс істейтін электр құралын білдіреді.

Жұмыс орны

- ▶ **Жұмыс орнындағы тазалықты және тәртіпті қадағалаңыз.** Жұмыс орнындағы ретсіздік және нашар жарық сәтсіз жағдайларға әкелуі мүмкін.
- ▶ **Жанғыш сұйықтықтар, газдар немесе шаң бар жарылыс қаупі бар аймақта электр құралын қолданбаңыз.** Жұмыс кезінде электр құралдары ұшқындар шығады және ұшқындар шаңды немесе буларды тұтандыруы мүмкін.
- ▶ **Балалардың және бөгде адамдардың жұмыс істеп тұрған электр құралына жақындауына рұқсат етпеңіз.** Жұмысқа көңіл бөлмегенде, электр құралын бақылау жоғалуы мүмкін.

Электр қауіпсіздігі

- ▶ **Электр құралдың байланыс ашасы электр желісінің розеткасына сай болуы керек. Айырдың конструкциясын өзгертпеңіз. Қорғауыш жерге қосу бар электр құралдарымен бірге өтпелі айырларды қолданбаңыз.** Түпнұсқа айырлар және оларға сай розеткалар электр тогының соғу қаупін азайтады.
- ▶ **Жерге қосылған беттерге, мысалы, құбырларға, жылыту құралдарына, пештерге (плиталарға) және тоңазытқыштарға тікелей тиюді болдырмаңыз.** Жерге қосылған заттарға тигенде электр тогының соғуының үлкен қаупі туындайды.
- ▶ **Электр құралдарды жаңбырдан немесе өсерінен сақтаңыз.** Электр құралға су тиюі нәтижесінде электр тогының соғу қаупі артады.
- ▶ **Байланыс сымын басқа мақсатта қолданбаңыз, мысалы, электр құралды тасымалдау, оны іліп қою немесе электр желісінің розеткасынан айырды шығару үшін.** Байланыс сымын жылу, май, өткір жиіктер немесе жылжымалы бөліктерден алшақ ұстаңыз. Байланыс сымының зақымдалуы немесе қабаттасуы нәтижесінде электр тогының соғу қаупі артады.
- ▶ **Егер жұмыстар ашық ауада орындалса, тек бөлмелерден тыс қолдануға рұқсат етілген ұзартқыш сымдарды пайдаланыңыз.** Бөлмелерден тыс қолдануға жарамды ұзартқыш сымды пайдалану электр тогының соғу қаупін азайтады.
- ▶ **Егер электр құралмен ылғалдылық жағдайларында жұмыс істеуді болдырмау мүмкін емес болса, шығып кететін токтан қорғау автоматын қолданыңыз.** Шығып кететін токтан қорғау автоматын қолдану электр тогының соғу қаупін азайтады.

Адамдардың қауіпсіздігі

- ▶ **Ұқыпты болыңыз, әрекеттеріңізге көңіл бөліңіз және электр құралымен жұмыс істеуге дұрыс қараңыз.** Шаршаған кезде немесе есірткі, алкоголь не дәрі қабылдаған соң электр құралын қолданбаңыз. Электр құралын қолданған кездегі зейінсіздік ауыр жарақаттарға апарып соғуы мүмкін.
- ▶ **Жеке қорғану құралдарын пайдаланыңыз және әрқашан міндетті түрде қорғауыш көзілдірікті киіңіз.** Электр құралының түріне және пайдалану жағдайларына байланысты жеке қорғану құралдарын, мысалы, шаңнан қорғайтын респираторды, сырғымайтын аяқ киімді, қорғауыш шлемді, естуді қорғау құралдарын қолдану жарақаттану қаупін азайтады.
- ▶ **Электр құралының кездейсоқ қосылуын болдырмаңыз.** Электр қуатына қосу және/немесе аккумуляторды қою, көтеру немесе тасымалдау алдында электр құралы өшірілгеніне көз жеткізіңіз. Электр құралын тасымалдағанда саусақтар сөндіргіште болатын немесе қосылған электр құралы желіге қосылатын жағдайлар сәтсіз жағдайларға әкелуі мүмкін.
- ▶ **Электр құралын қосу алдында реттеуші құрылғыларды және гайка кілтін алыңыз.** Электр құралының айналатын бөлігіндегі аспап немесе кілт жарақаттарға әкелуі мүмкін.
- ▶ **Жұмыс кезінде ыңғайсыз қалыптарға тұрмауға тырысыңыз.** Үнемі тұрақты күйді және тепеңдікті сақтаңыз. Бұл күтпеген жағдайларда электр құралын жақсырақ басқаруға мүмкіндік береді.



- ▶ Арнайы киімді киіңіз. Өте бос киімді немесе әшекейлерді кимеңіз. Шашты, киімді және қолғапты электр құралының айналатын түйіндерінен сақтаңыз. Бос киім, әшекейлер және ұзын шал оларға ілінуі мүмкін.
- ▶ Егер шаңды жинау және кетіруге арналған құрылғыларды қосу қарастырылған болса, олар қосылғанына және мақсаты бойынша қолданылып жатқанына көз жеткізіңіз. Шаңды кетіру модулін пайдалану шаңның зиянды әсерін азайтады.
- ▶ Өз мойныңызға қате қауіпсіздік сезімін алмаңыз және электр құралына арналған қауіпсіздік ережелерін бұзбаңыз, тіпті электр өтуі мүмкін зақымдардың жоқтығын тексеріңіз. Аспаптың болсаңыз. Мұқиятсыз қолдану бірнеше секундта ауыр жарақаттануға апарып соғуы мүмкін.

Электр құралын қолдану және оған қызмет көрсету

- ▶ Аспапқа шамадан тыс жүктеме түсуін болдырмаңыз. Нақ осы жұмысқа арналған электр құралын қолданыңыз. Бұл ережені сақтау көрсетілген қуат диапазонында жоғарырақ жұмыс сапасын және қауіпсіздігін қамтамасыз етеді.
- ▶ Сөндіргіші бұзылған электр құралын қолданбаңыз. Қосу немесе өшіру қиын электр құралы қауіпті және оны жөндеу керек.
- ▶ Электр құралын реттеуге, саймандарды ауыстыруға кірісу алдында немесе жұмыстағы үзіліс алдында розеткадан ашаны және/немесе электр құралынан алмалы-салмалы аккумуляторды шығарыңыз. Бұл сақтық шарасы электр құралының кездейсоқ қосылуын болдырмайды.
- ▶ Қолданылмайтын электр құралдарын балалар жетпейтін жерде сақтаңыз. Аспаппен таным емес немесе осы нұсқауларды оқып шықпаған адамдарға аспапты пайдалануға рұқсат бермеңіз. Электр құралдары тәжірибесі жоқ пайдаланушылардың қолында қауіпті болады.
- ▶ Электр құралдары мен керек-жарақтарға ұқыпты қараңыз. Айналымды бөліктердің мүлтіксіз қызмет ететінін, олардың жүрісінің жеңілдігін, барлық бөліктердің тұтастығын және электр құралының жұмысына теріс әсер етуі мүмкін зақымдардың жоқтығын тексеріңіз. Аспаптың зақымдалған бөліктерін оны қолдану алдында жөндеуге өткізіңіз. Электр құралына техникалық қызмет көрсету ережелерін сақтамау көп сәтсіз жағдайлардың себебі болып табылады.
- ▶ Кескіш аспаптардың үшкір және таза болуын қадағалау керек. Жұмыс күйінде сақталатын кескіш аспаптардың сыналануы сиректеу болады, оларды басқару жеңілдеу.
- ▶ Электр құралын, саймандарды, көмекші құрылғыларды және т.б. нұсқауларға сай пайдаланыңыз. Бұл кезде жұмыс жағдайларын және орындалатын жұмыстың сипатын ескеріңіз. Электр құралдарын басқа мақсаттарда қолдану қауіпті жағдайларға әкелуі мүмкін.
- ▶ Тұтқыштар мен тұтқыш беттерін таза, құрғақ, май іздерінсіз ұстаңыз. Сырғанақ тұтқыштар мен олардың беттері белгілі бір жағдайларда электр құралының қауіпсіз қолданылуы мен басқарылуына жол бермейді.

Аккумуляторлық аспапты пайдалану және оған қарау

- ▶ Аккумуляторды тек өндіруші ұсынған зарядтағыш құрылғылардың көмегімен зарядтаңыз. Зарядтағыш құрылғыны тиісті емес аккумулятор түрлерін зарядтау үшін қолданғанда өрт туындауы мүмкін.
- ▶ Аспаппен жұмыс істеу үшін тек тиісті аккумуляторларды қолданыңыз. Басқа аккумуляторларды пайдалану жарақаттарға әкелуі және өрт тудыруы мүмкін.
- ▶ Пайдаланылмайтын аккумуляторларды контакттардың тұйықталуының себебі болуы мүмкін скрепалардан, тиындардан, кілттерден, инелерден, винттерден және басқа металл заттардан ары сақтаңыз. Аккумулятор контактарының тұйықталуы күйіктерге немесе тұтануға әкелуі мүмкін.
- ▶ Аккумулятормен тиісті емес түрде жұмыс істегенде одан электролит ағып шығуы мүмкін. Оған тиюді болдырмаңыз. Кездейсоқ тигенде сумен шайыңыз. Электролит көзге тигенде дәрігер көмегіне жүгініңіз. Аккумулятордан ағып шыққан электролит тері тітіркенуін немесе күйіктерді тудыруы мүмкін.
- ▶ Зақымдалған не пішіні өзгертілген аккумуляторларды қолданбаңыз. Зақымдалған не пішіні өзгертілген аккумуляторларды болжауға болмайды және олар өрт, жарылыс не жарақаттану қаупін тудырады.
- ▶ Аккумуляторды өрт не жоғары температуралы аймақтардан алшақ ұстаңыз. Өрт немесе 130 °C (265 °F) жоғары температуралар жарылыс тудыруы мүмкін.
- ▶ Зарядтау үшін барлық нұсқауларды орындаңыз және аккумулятор не аккумуляторлық құралды ешқашан пайдалану бойынша нұсқаулықта берілген температура ауқымдарынан тыс зарядтамаңыз. Қате зарядтау немесе рұқсатты температура ауқымдарынан тыс зарядтау аккумуляторды бұзуы және өрт қаупін арттыруы мүмкін.



Қызмет

- ▶ **Электр құралын жөндеуді тек түпнұсқа қосалқы бөлшектерді қолданатын білікті қызметкерлерге сеніп тапсырыңыз.** Бұл электр құралын қауіпсіз күйде сақтауды қамтамасыз етеді.
- ▶ **Зақымдалған аккумуляторларға ешқашан қызмет көрсетпеңіз.** Аккумулятордың толық күтімін тек өндіруші немесе өкілетті қызмет көрсету орталықтары орындауы тиіс.

2.2 Перфораторлармен жұмыс істеу кезіндегі қауіпсіздік техникасы бойынша нұсқаулар

Барлық жұмыстарға арналған қауіпсіздік техникасы бойынша нұсқаулар

- ▶ **Қорғауыш құлаққапты киіңіз.** Шу әсерінің нәтижесінде есту қабілеті жоғалуы мүмкін.
- ▶ **Аспап жинағына кіретін қосымша тұтқыштарды қолданыңыз.** Аспапты басқаруды жоғалту жарақаттарға әкелуі мүмкін.
- ▶ **Пайдаланатын аспабыңыз көзден таса электр желісіне тиіп кетуі мүмкін болса, аспаптың арнайы жеке бөлінген жерінен ұстаңыз.** Электр сымдарына тигенде аспаптың қорғалмаған металл бөліктері кернеу астында болады. Бұл электр тогының соғуына әкелуі мүмкін.

Ұзын бұрғы пайдаланылған кездегі қауіпсіздік техникасы бойынша нұсқаулар

- ▶ **Бұрғылау әрекетін әрдайым төмен айналу жиілігімен және бұрғы дайындамамен жанаспай тұрғанда ғана бастаңыз.** Айналу жиілігі жоғары болған жағдайда бұрғы дайындамамен жанаспай еркін айналғаннан сәл қисайып кетуі және жарақаттануға апарып соғуы мүмкін.
- ▶ **Шамадан артық қысым қолданбаңыз және тек қана бойлық бағытпен бұрғылаңыз.** Бұрғылау қисайып жарылуы мүмкін немесе бақылау мүмкіндігінен айырылып, жарақат алуыңыз мүмкін.

2.3 Перфоратор қауіпсіздігі бойынша қосымша нұсқаулар

Адамдардың қауіпсіздігі

- ▶ Өнімді және керек-жарақтарды тек техникалық мінсіз күйінде қолданыңыз.
- ▶ Өнімде немесе керек-жарақтарда ешқандай манипуляциялар не өзгерістер орындамаңыз.
- ▶ Өнім жинағына кіретін қосымша тұтқыштарды қолданыңыз. Бақылау мүмкіндігінен айырылу жарақат алуға әкелуі мүмкін.
- ▶ Тесіп өтетін бұрғылау кезінде қауіпті аймақты қабырғаның қарама-қарсы жағынан қоршаңыз. Сыртқа шығатын және/немесе төмен түсетін сынықтар адамдарға жарақат тигізуі мүмкін.
- ▶ Өнімді ерқашан екі қолмен тұтқыштарынан берік ұстаңыз. Тұтқышты құрғақ өрі таза күйінде ұстаңыз.
- ▶ Алмалы-салмалы аспап жасырын электр сымдарына тие алатын жұмыстарды өткізген кезде өнімді оқшауланған беттерінен ұстаңыз. Кернеу өткізгіш сыммен жанасқан жағдайда, аспаптың металл бөліктері де кернеу астына түсіп, ток соғуға әкелуі мүмкін.
- ▶ Айналмалы бөлшектерге тиімеңіз - жарақат алу қаупі бар!
- ▶ Өнімді қолдану барысында қорғауыш көзілдірікті, қорғауыш касканы, қорғауыш құлаққапты және жарамды респираторды киіп жүріңіз.
- ▶ Құралды алмастырған кезде қорғауыш қолғап киіңіз. Алмалы-салмалы аспапқа тию кесіктерге және күйіктерге апарып соғуы мүмкін.
- ▶ Көз қорғанысын пайдаланыңыз. Материалдың сынықтары денені және көзді жарақаттауы мүмкін.
- ▶ Ажарлау, егеуқұм қағазымен тазалау, кесу және бұрғылау кезінде пайда болатын шаңның құрамында қауіпті химиялық заттар болуы мүмкін. Мысалдары келесідей: қорғасын немесе қорғасын негізіндегі боюлар; плитка, бетон және басқа кірпіш қалау өнімдері, табиғи тас және басқа силикаттық өнімдер; өмен, шамшат және химиялық затпен өңделген сүрек сияқты белгілі бір сүрек түрлері; асбест немесе құрамында асбест бар материалдар. Пайдаланушы мен оның айналасындағы адамдарға әсер ету дәрежесін өңдеу орындалатын материалдардың қауіп классы бойынша анықтаңыз. Әсерді қауіпсіз деңгейде сақтау үшін шаң жинайтын жүйелерді пайдалану немесе арнайы тыныс алу органдарының қорғанысын киіп жүру сияқты қажетті шараларды қолданыңыз. Әсер ету дәрежесін азайту бойынша жалпы шараларға төмендегілер жатады:
 - ▶ Жақсы желдетілген аймақта жұмыс істеу,
 - ▶ Шаңның ұзақ уақыт бойы тиюіне жол бермеу,
 - ▶ Шаңды көз бен денеден алыстату,
 - ▶ Қорғаныс киімін киіп жүру және әсер етілген жерлерді сумен және сабынмен жуу.
- ▶ Саусақтың қан айналымын жақсарту үшін жиі үзіліс жасап, жаттығу жасаңыз. Ұзақ уақыт жұмыс істеген кезде, қатты дірілдердің салдарынан саусақ, қол не буындардың қан тамыры не жүйкесіне теріс әсер тиюі мүмкін.



Электр қауіпсіздігі

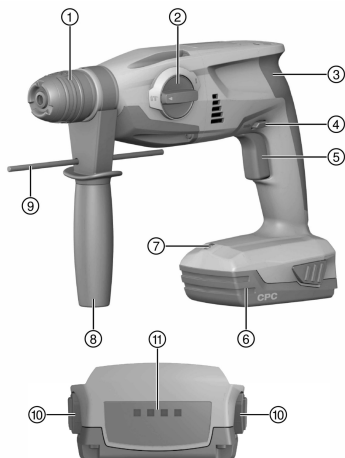
- Жұмысты бастамас бұрын жұмыс аймағында жасырын сымдардың, газ бен су құбырларының бар-жоғын тексеріп шығыңыз. Қуыт сымына, газ немесе су құбырына зақым келтірген жағдайда, өнімнің сыртындағы металл бөліктер ток соғуға немесе жарылысқа әкелуі мүмкін.

Электр құралмен дұрыс жұмыс істеу және оны дұрыс пайдалану

- Алмалы-салмалы аспап бұғатталған жағдайда, өнімді дереу өшіріңіз. Өнім бүйірімен ауытқуы мүмкін.
- Өнімді алып тастау алдында ол толығымен тоқтағанша күтіңіз.

3 Сипаттама

3.1 Өнімге шолу



- Қысу қысқысы TE-C Click
- Жұмыс режимдерінің ауыстырып-қосқышы
- Тұтқыш
- Қосуды бұғаттауы бар солға/оңға айнарудың ауыстырып-қосқышы
- Сөндіргіш
- Акумулятор
- Жұмыс орнындағы жарықтандыру
- Бүйірлік тұтқыш
- Тереңдік шектегіші
- Акумулятор заряды деңгейінің көрсеткішін белсендірудің қосымша функциясы бар бұғаттау түймесі
- Акумулятордың зарядтау күйін көрсеткіш

3.2 Мақсатына сай қолдану

Сипатталған өнім аккумуляторлық перфоратор болып табылады. Ол болат, ағаш пен кірпіш қалауды бұрғылау, бетон мен кірпіш қалауды соққымен бұрғылау және бұрандаларды бұрап бекітуге және босатуға арналған.

- Бұл өнім үшін тек B 22 сериялы Hilti Li-Ion аккумуляторларын ғана пайдаланыңыз.
- Бұл аккумуляторлар үшін тек Hilti компаниясы мақұлдаған зарядтағыш құрылғыларды қолданыңыз. Қосымша ақпаратты Hilti Store дүкенінен немесе мына веб-сайттан алуға болады: www.hilti.group

3.3 Литий-иондық аккумулятор зарядының күйін көрсеткіш

Литий-иондық аккумуляторларды қолданған кезде зарядтау күйін бұғаттау түймесін түрту арқылы көрсетуге болады.

Құралдың бөлшектері	Сипаттамасы
4 жарық диоды жанады.	Зарядтау күйі: 75 % - 100 %
3 жарық диоды жанады.	Зарядтау күйі: 50 % - 75 %
2 жарық диоды жанады.	Зарядтау күйі: 25 % - 50 %
1 жарық диоды жанады.	Зарядтау күйі: 10 % - 25 %
1 жарық диоды жыпықтайды.	Зарядтау күйі: < 10 %

Жұмыс уақытында және бірден жұмысты аяқтағаннан кейін зарядталу деңгейі туралы сұрау мүмкін емес. Аккумулятордың зарядталу деңгейі жарық диодтары жыпылықтаған жағдайда «Ақаулықтарды жою» бөліміндегі нұсқауларға назар аударыңыз.



3.4 Жеткізілім жинағы

Перфоратор, бүйірлік тұтқыш, тереңдік шектегіші, пайдалану бойынша нұсқаулық.

TE DRS-S шаңсорғыш модулі керек-жарақ ретінде шаңсыз жұмыс істеуді қамтамасыз ету үшін ұсынылады.

Оған қоса өніміз үшін рұқсат етілген жүйелік өнімдерді **Hilti Store** дүкенінде немесе мына веб-сайттан табуға болады: www.hilti.group

4 Техникалық сипаттамалар

4.1 Перфоратор

	TE 2-A22
Номиналды кернеу	21,6 В
ЕРТА Procedure 01 бойынша салмағы, B22/8.0 аккумуляторын қоса	3,3 кг
Бетонда/қаланған кірпіште (соғатын бұрғылау) бұрғылау диаметрінің диапазоны	4 мм ... 16 мм
Металда бұрғылау диаметрлерінің диапазоны (қатты бұрғылау бұрғысы)	0 мм ... 10 мм
Ұзындығы максималды тереңдік шектегіші	180 мм

4.2 EN 62841 стандарты бойынша шуыл туралы ақпарат және діріл мәні

Осы нұсқауларда көрсетілген дыбыс қысымы мен діріл деңгейі стандартты өлшеу әдісімен өлшенген және оны басқа электр құралдарымен салыстыру үшін пайдалануға болады. Сонымен бірге, ол экспозицияны алдын ала бағалау үшін жарайды.

Берілген деректер электр құралының негізгі жұмысын көрсетеді. Алайда, егер электр құралы басқа мақсаттарда, басқа жұмыс аспаптарымен қолданылса немесе оған қанағаттандырмайтын техникалық қызмет көрсетілсе, деректер өзгеше болуы мүмкін. Осының салдарынан аспаптың бүкіл жұмыс істеу кезеңінде экспозиция айтарлықтай артуы мүмкін.

Экспозицияны дәл анықтау үшін электр құралы сөндірілген күй немесе бос жұмыс істейтін уақыт аралықтарын да ескеру керек. Осының салдарынан аспаптың бүкіл жұмыс істеу кезеңінде экспозиция айтарлықтай азаюы мүмкін.

Пайдаланушыны пайда болатын шуылдан және/немесе дірілден қорғау үшін қосымша сақтық шараларын қолданыңыз, мысалы: электр аспабына және жұмыс аспаптарына техникалық қызмет көрсету, қолдардың жылуын сақтау, жұмыс процестерін дұрыс ұйымдастыру.

Шуыл туралы ақпарат

Дыбыс күшінің деңгейі (L_{WA})	103 дБ(A)
Эмиссиялық дыбыс қысымының деңгейі (L_{pA})	92 дБ(A)
Дәлсіздік (шуыл көрсеткіштері) (K_{pA} және K_{WA})	3 дБ(A)

Дірілдің жалпы көрсеткіші

Металл бойынша бұрғылау ($a_{h, D}$)	B 22/2.6 Li-Ion (01)	2,5 м/с ²
Бетонда бұрғылау ($a_{h, HD}$)	B 22/2.6 Li-Ion (01)	12,7 м/с ²
Дәлсіздік (дірілдің жалпы көрсеткіштері)		1,5 м/с ²

4.3 Аккумулятор

Аккумулятордың жұмыс кернеуі	21,6 В
Жұмыс кезіндегі қоршаған орта температурасы	-17 °C ... 60 °C
Сақтау температурасы	-20 °C ... 40 °C
Заряптаудың басындағы аккумулятор температурасы	-10 °C ... 45 °C



5 Қызмет көрсету

5.1 Жұмысқа дайындық

ЕСКЕРТУ

Жарақат алу қаупі абайсыздан қосылу себебінен!

- ▶ Аккумуляторды орнату алдында оған қатысты өнімнің өшірілгеніне көз жеткізіңіз.
- ▶ Аспап реттеулерін орындау немесе қосалқы бөлшектерді алмастыру алдында аккумуляторды шығарыңыз.

Осы құжаттамадағы және өнімдегі қауіпсіздік және ескерту нұсқауларын орындаңыз.

5.1.1 Бүйірлік тұтқышты орнату

1. Бүйірлік тұтқыштың ұстағышын (тартылмалы таспаны) босату үшін, тұтқыш бойынша айналдырыңыз.
2. Ұстағышты (тартылмалы таспаны) алдыңғы жақтан құрал бекіткіші арқылы арнайы қарастырылған гайкаға дейін жылжытыңыз.
3. Бүйірлік тұтқышты қалаулы орынға орналастырыңыз.
4. Бүйірлік тұтқыштың ұстағышын (тартылмалы таспаны) керу үшін, тұтқыш бойынша айналдырыңыз.

5.1.2 Аккумуляторды орнату

1. Аккумуляторды құрылғы ұстатқышына тырс еткен дыбыс шыққанша мұқият салыңыз.
2. Аккумулятордың аспапқа берік бекітілгенін тексеріңіз.

5.1.3 Аккумуляторды шығару

1. Аккумулятордағы блоктан шығару түймешіктерін басыңыз.
2. Аккумуляторды шығарыңыз.

5.1.4 Алмалы-салмалы аспапты енгізу

1. Алмалы-салмалы аспап ұшын аздап майлаңыз.
 - ▶ Тек Hilti компаниясы ұсынған түпнұсқа жағармай қолданыңыз. Қате майды қолдану аспапқа зақым келтіруі мүмкін.
2. Алмалы-салмалы аспапты аспап қысқысына тірелгенше салыңыз.
3. Орнатқаннан кейін қысқыда берік бекітілгеніне көз жеткізу үшін жұмыс аспабын өзіңізге тартыңыз.
 - ▶ Өнім жұмысқа дайын.

5.1.5 Алмалы-салмалы аспапты шығару

АБАЙЛАҢЫЗ

Алмалы-салмалы құралды мұқият пайдаланбаса, одан жарақат алу қаупі бар! Алмалы-салмалы аспап ыстық не өткір болуы мүмкін.

- ▶ Алмалы-салмалы аспапты ауыстырған кезде қорғауыш қаптаманы тіреңіз.
- ▶ Құрал құлпын шегіне дейін артқа тартыңыз және алмалы-салмалы аспапты шығарыңыз.

5.1.6 Тереңдік шектегішін орнату (қосымша)

1. Бүйірлік тұтқыштың ұстағышын (тартылмалы таспаны) босату үшін, тұтқыш бойынша айналдырыңыз.
2. Тереңдік шектегішін алдыңғы жақтан арнайы қарастырылған 2 бағыттауыш саңылау ішіне жылжытыңыз.
3. Бүйірлік тұтқыштың ұстағышын (тартылмалы таспаны) керу үшін, тұтқыш бойынша айналдырыңыз.

5.2 Жұмыс істеу

АБАЙЛАҢЫЗ

Зақымдалу қаупі. қате қолдану себебінен!

- ▶ Сөндіргішті жұмыс барысында айналу бағытын және/немесе функцияны таңдау үшін пайдаланбаңыз.

Осы құжаттамадағы және өнімдегі қауіпсіздік және ескерту нұсқауларын орындаңыз.



5.2.1 Жұмыс орнындағы жарықтандыру



Жарық диоды негізгі сәндірілген басқан кезде автоматты түрде белсендіріледі. Сәндірілгенді жібергенде жарық диоды бірден сөнеді.

- ▶ Бұғаттаудан шығару түймесін басыңыз.

5.2.2 Айналу бағыты

- ▶ Айналу бағытын орнатыңыз.
 - ▶ Ажыратқыш осы позицияда тіркеледі.

5.2.3 Соққысыз бұрғылау

- ▶ Функцияны таңдау қосқышын осы белгіге орнатыңыз: .

5.2.4 Соққымен бұрғылау

- ▶ Функцияны таңдау қосқышын осы белгіге орнатыңыз: .

6 Күту және техникалық қызмет көрсету

6.1 Күтім және техникалық қызмет көрсету



ЕСКЕРТУ

Аккумулятор енгізілген кезде жарақат алу қаупі бар !

- ▶ Күтім және техникалық қызмет көрсету бойынша кез келген жұмыстарды орындамас бұрын әрдайым аккумуляторды шығарыңыз!

Өнімге қызмет көрсету

- Қатты жабысып қалған кірді абайлап кетіріңіз.
- Бр болса, желдету саңылауларын құрғақ, жұмсақ қылшақпен мұқият тазалаңыз.
- Корпусты сәл суланған шүберекпен ғана тазалаңыз. Ешқандай силикон қамтитын күтім құралдарын пайдаланбаңыз, себебі олар пластик бөлшектерге зақым келтіруі мүмкін.
- Өнімнің контактілерін тазалау үшін таза, құрғақ шүберекті қолданыңыз.

Литий-иондық аккумуляторға қызмет көрсету

- Еш жағдайда желдету саңылаулары бітелген аккумуляторды қолданбаңыз. Желдету саңылауларын құрғақ, жұмсақ қылшақпен жақсылап тазалаңыз.
- Аккумуляторға шаңның немесе кірдің қажетсіз тиюіне жол бермеңіз. Аккумуляторға қатты ылғалдың тиюіне ешқашан жол бермеңіз (мысалы, суға батыру немесе жаңбыр астына қою арқылы). Аккумулятор су болса, оны зақымдалған аккумулятор ретінде қарастырыңыз. Оны тұтанбайтын контейнерге оқшаулап, **Hilti** қызмет көрсету орталығына хабарласыңыз.
- Аккумуляторды бөгде май мен майлағыштан таза ұстаңыз. Аккумуляторда шаң не кірдің қажетсіз жиналуына жол бермеңіз. Аккумуляторды құрғақ, жұмсақ қылшақпен немесе таза, құрғақ шүберекпен тазалаңыз. Ешқандай силикон қамтитын күтім құралдарын пайдаланбаңыз, себебі олар пластик бөлшектерге зақым келтіре алады. Аккумулятордың контактілеріне тиіменіз және зауыттан тыс қолданылған майды контактілерден кетіріңіз.
- Корпусты сәл суланған шүберекпен ғана тазалаңыз. Ешқандай силикон қамтитын күтім құралдарын пайдаланбаңыз, себебі олар пластик бөлшектерге зақым келтіруі мүмкін.

Техникалық қызмет көрсету

- Көзге көрінетін барлық бөлшектерде зақымдардың бар-жоғын және басқару элементтерінің ақаусыз жұмысын жиі тексеріп тұрыңыз.
- Өнім зақымдалған және/немесе ақаулы болған жағдайда, оны пайдаланушы болмаңыз. Өнімді міндетті түрде **Hilti** қызмет көрсету орталығында жөндетіңіз.
- Күтім және техникалық қызмет көрсету жұмыстарынан кейін барлық қорғауш құрылғыларды орнатып, олардың ақаусыз жұмыс істегенін тексеріңіз.



i Қауіпсіз жұмысты қамтамасыз ету үшін тек түпнұсқа қосалқы бөлшектер мен шығын материалдарын қолданыңыз. **Hilti** мақұлдаған қосалқы бөлшектер, шығын материалдары мен өнімге арналған керек-жарақтар **Hilti Store** дүкенінде немесе келесі веб-сайтта қолжетімді: www.hilti.group

6.2 Шаңнан қорғайтын қапты тазалау

- ▶ Құрал бекіткішіндегі шаңнан қорғайтын қапты таза, құрғақ шүберекпен тұрақты түрде тазалаңыз.
- ▶ Тығыздағышты жайлап тазалап сүртіңіз және оған **Hilti** жағармайының аз қабатын жағыңыз.
- ▶ Тығыздағыш зақымдалған болса, шаңнан қорғайтын қапты міндетті түрде ауыстырыңыз.

7 Тасымалдау және сақтау

7.1 Аккумуляторлық құралдар мен аккумуляторларды тасымалдау және сақтау

Тасымалдау

АБАЙЛАҢЫЗ

Тасымалдау кезіндегі кенет іске қосылу !

- ▶ Өніміңізді әрдайым аккумуляторын шығарып алып тасымалдаңыз!
- ▶ Аккумулятор(лар)ды шығарыңыз.
- ▶ Аккумуляторларды ешқашан үймеде тасымалдамаңыз. Тасымалдау барысында аккумуляторларды шамадан артық соққы мен дірілден қорғау және олардың басқа батарея полюстерімен жанасуына және қысқа тұйықталудың туындауына жол бермеу үшін кез келген ток өткізгіш материалдардан немесе басқа аккумуляторлардан оқшаулау керек. **Аккумуляторларға арналған жергілікті тасымалдау ережелерін сақтаңыз.**
- ▶ Аккумуляторларды поштамен жіберуге болмайды. Зақымдалмаған аккумуляторларды жіберу қажет болғанда, жеткізуші кәсіпорындарға хабарласыңыз.
- ▶ Өнім мен аккумуляторларды әр пайдаланбас бұрын және ұзақ уақыт бойы тасымалдағаннан кейін зақымдардың бар-жоғын тексеріп шығыңыз.

Сақтау

ЕСКЕРТУ

Бүлінген немесе заряды таусылған аккумуляторлардан күтілмеген зақымдалу !

- ▶ Өніміңізді әрдайым аккумуляторын шығарып алып сақтаңыз!
- ▶ Өнім мен аккумуляторларды салқын және құрғақ жерде сақтаңыз. Техникалық деректерде көрсетілген температураның шектік мәндерін ескеріңіз.
- ▶ Аккумуляторларды зарядтағыш құрылғыда сақтамаңыз. Аккумуляторды зарядтағаннан кейін әрдайым зарядтағыш құрылғыдан шығарыңыз.
- ▶ Аккумуляторларды еш жағдайда күн мен жылу көздерінің астында немесе шыны әйнек артында сақтамаңыз.
- ▶ Өнім мен аккумуляторларды балалар мен рұқсаты жоқ адамдардың қолы жетпейтін жерде сақтаңыз.
- ▶ Өнім мен аккумуляторларды әр пайдаланбас бұрын және ұзақ уақыт бойы сақтағаннан кейін зақымдардың бар-жоғын тексеріп шығыңыз.

8 Ақаулықтарды жою

8.1 Ақаулықтардағы көмек

Бұл кестеде келтірілмеген немесе өзіңіз түзете алмайтын ақаулықтар орын алғанда, **Hilti** қызмет көрсету орталығына хабарласыңыз.



8.2 Перфоратор қолданылуға жарамды емес

Ақаулық	Ықтимал себеп	Шешім
Перфоратор жұмыс істемейді.	Перфораторға шамадан тыс жүктеме түсті.	▶ Перфораторды өшіріңіз, аккумуляторды шығарыңыз және перфораторды ары қарай қолданбаңыз.
Жарық диодтары өшірулі.	Аккумулятор толығымен салынбаған.	▶ Аккумуляторды қос шырт еткен дыбыс естілгенше бекітіңіз.
	Аккумулятор зарядын босатыңыз.	▶ Аккумуляторды алмастырып, бос аккумуляторды зарядтаңыз.
	Аккумулятор қызып немесе суып кетті.	▶ Аккумуляторды жұмыс температурасына дейін жеткізіңіз.
1 жарық диоды жыпылықтайды.	Аккумулятор зарядын босатыңыз.	▶ Аккумуляторды алмастырып, бос аккумуляторды зарядтаңыз.
	Аккумулятор қызып немесе суып кетті.	▶ Аккумуляторды жұмыс температурасына дейін жеткізіңіз.
4 жарық диоды жыпылықтайды.	Перфораторға қысқа мерзімді шамадан тыс жүктеме түсті.	▶ Негізгі сәндіргішті босатып, қайта басыңыз.
	Қызып кетуден қорғау.	▶ Перфораторды салқындатып, желдету саңылауын тазалаңыз.

8.3 Перфоратор қолданылуға жарамды

Ақаулық	Ықтимал себеп	Шешім
Соғатын бұрғылау орындалмайды.	Перфоратор тым суық.	▶ Перфораторды жерге қойып, бос жүріспен жұмыс істетіңіз. Қажет болса, соққы механизмі жұмыс істегенше әрекетті қайталаңыз.
	Функцияны таңдау қосқышы «Соққысыз бұрғылау» күйінде	▶ Функцияны таңдау қосқышын «Соққысыз бұрғылау» күйіне орнатыңыз.
Сәндіргіш басылмайды, яғни, бұғатталған.	Оңға/солға айналу ауыстырып-қосқышы ортаңғы күйде.	▶ Оңға/солға айналу айырып-қосқышын оңға не солға бұраңыз.
Аспап шпинделі айнамайды.	Перфоратордың электрондық бөлшектерінің рұқсат етілген температурасы асырылған.	▶ Перфораторды суытыңыз.
	Аккумулятор зарядын босатыңыз.	▶ Аккумуляторды алмастырып, бос аккумуляторды зарядтаңыз.
Перфоратор автоматты түрде өшіріледі.	Шамадан тыс жүктеме қорғанысы іске қосылды.	▶ Негізгі сәндіргішті жіберіңіз. Перфораторды суытыңыз. Негізгі сәндіргішті қайтадан басыңыз. Аспап жүктемесін төмендетіңіз.
Аккумулятор заряды едеттегіден тезірек бітеді.	Аккумулятордың күйі оңтайлы емес.	▶ Аккумуляторды жаңартыңыз.
Аккумулятор бекітілгенде оған төн "қос шырт еткен дыбыс" естілмейді.	Аккумулятордағы құлып шоқылары кірленген.	▶ Тіреуіш шығыңқы жерлерін тазалаңыз және аккумуляторды қайтадан салыңыз.



Ақаулық	Ықтимал себеп	Шешім
Перфоратор не аккумуляторда қатты ыстық пайда болды.	Электрлік ақаулық	▶ Перфораторды бірден өшіріңіз. Аккумуляторды алып тастап, бақылаңыз. Сууға уақыт беріңіз. Hilti қызмет көрсету орталығына хабарласыңыз.
	Перфораторға шамадан тыс жүктеме түсті (қолдану шегінен асты.	▶ Қолдануға жарамды аспапты таңдаңыз.
Аспап бекітіштен босатылмайды.	Аспап патроны толық тартылмаған.	▶ Құрал құлпын шегіне дейін артқа тартыңыз және құралды шығарыңыз.
Қондырма алынбайды.	Перфоратор сол жақ айналым күйіне ауысты.	▶ Оңға/солға айналу ауыстырып-қосқышын оң күйге өткізіңіз.

9 Көдеге жарату

Hilti аспаптары қайта өңдеу үшін жарамды көптеген материалдардың санын қамтиды. Көдеге жарату алдында материалдарды мұқият сұрыптау керек. Көптеген елдерде **Hilti** компаниясы ескі аспабыңызды қайта өңдеу үшін қайта қабылдайды. **Hilti** қызмет көрсету орталығынан немесе дилеріңізден сұраңыз.



- ▶ Электр құралдарды, электрондық құрылғылар мен аккумуляторларды тұрмыстық қоқыспен бірге тастамаңыз!

10 Өндіруші кепілдігі

- ▶ Кепілдік шарттары туралы сұрақтарыңыз болса, жергілікті **Hilti** серіктесіне жолығыңыз.

オリジナル取扱説明書

1 取扱説明書について

1.1 本取扱説明書について

- ご使用前にこの取扱説明書をすべてお読みください。このことは、安全な作業と問題のない取扱いのための前提条件となります。
- 本取扱説明書および製品に記載されている安全上の注意と警告表示に注意してください。
- 取扱説明書は常に製品とともに保管し、他の人が使用する場合には、製品と取扱説明書を一緒にお渡しください。

1.2 記号の説明

1.2.1 警告表示

警告表示は製品の取扱いにおける危険について警告するものです。以下の注意喚起語が使用されています：

危険

危険！

- ▶ この表記は、重傷あるいは死亡事故につながる危険性がある場合に注意を促すために使われます。

警告

警告！

- ▶ この表記は、重傷あるいは死亡事故につながる可能性がある場合に注意を促すために使われます。



⚠ 注意

注意！

▶ この表記は、身体の負傷あるいは物財の損傷が発生する可能性がある場合に使われます。

1.2.2 取扱説明書の記号

この取扱説明書では、以下の記号が使用されています：

	取扱説明書に注意してください
	本製品を効率良く取り扱うための注意事項や役に立つ情報
	リサイクル可能な部品の取扱い
	電動工具およびバッテリーを一般ゴミとして廃棄してはなりません
	Hilti Li-Ion バッテリー
	Hilti 充電器

1.2.3 図中の記号

図中では以下の記号が使用されています：

	この数字は本取扱説明書冒頭にある該当図を示しています。
3	図中の付番は、重要な作業手順あるいは作業手順にとって重要なパーツであることを示しています。本文中ではこれらの作業手順またはパーツは、(3) のように当該の番号でハイライト表示されています。
	概要図には項目番号が付されていて、製品概要セクションの凡例の番号に対応しています。
	この記号は、製品の取扱いの際に特に注意が必要なことを示しています。

1.3 製品により異なる記号

1.3.1 製品に表示されている記号

製品には以下の記号が使用されている場合があります：

	回転のみ
	回転 + 打撃 (回転 + 打撃)
	正逆回転機能
n_0	無負荷回転数
/min	毎分回転数
	直流
Li-Ion	Li-Ionen バッテリー
	使用されているHilti Li-Ion バッテリーのモデルシリーズ。正しい使用の章の記載に注意してください。
	バッテリーは決して打撃工具として使用しないでください。
	バッテリーは落下させないでください。ぶつけたり、あるいはその他の理由で損傷しているバッテリーは使用しないでください。
	本体は、iOS および Android プラットフォームと互換性のある NFC テクノロジーをサポートしています。



1.4 製品情報

製品はプロ仕様で製作されており、その使用、保守、修理を行うのは、認定を受けトレーニングされた人のみに限ります。これらの人は、遭遇し得る危険に関する情報を入手していなければなりません。製品およびアクセサリーの使用法を知らない者による誤使用、あるいは規定外の使用は危険です。

機種名および製造番号は銘板に表示されています。

- ▶ 製造番号を以下の表に書き写しておいてください。ヒルティ代理店やサービスセンターへお問い合わせの際には、製品データが必要になります。

製品データ

機種名：	TE 2-A22
製品世代：	02
製造番号：	

1.5 適合宣言

当社は、単独の責任において本書で説明している製品が有効な基準と標準規格に適合していることを宣言します。適合宣言書の複写は本書の末尾にあります。

技術資料は本書の後続の頁に記載されています：

Hilti Entwicklungsgesellschaft mbH | Zulassung Geräte | Hiltistraße 6 | 86916 Kaufering, JA

2 安全

2.1 電動工具の一般安全注意事項

⚠ 警告事項 本電動工具に付属のすべての安全上の注意、指示事項、図、および製品仕様をお読みください。以下の指示を守らないと、感電、火災および / または重傷事故の危険があります。

安全上の注意および指示事項が書かれた説明書はすべて大切に保管してください。

安全上の注意で使用する用語「電動工具」とは、お手持ちの電動ツール（電源コード使用）またはバッテリーツール（コードレス）を指します。

作業環境に関する安全

- ▶ 作業場はきれいに保ち、十分に明るくしてください。ちらかった暗い場所での作業は事故の原因となります。
- ▶ 爆発の危険性のある環境（可燃性液体、ガスおよび粉じんのある場所）では電動工具を使用しないでください。電動工具から火花が飛散し、粉じんや揮発性ガスに引火する恐れがあります。
- ▶ 電動工具の使用時、子供や無関係者を作業場へ近づけないでください。作業中に気がそらされると、本体のコントロールを失ってしまう恐れがあります。

電気に関する安全注意事項

- ▶ 電動工具の接続プラグは電源コンセントにきちんと適合しなければなりません。プラグは絶対に変更しないでください。保護接地した電動工具と一緒にアダプタープラグを使用しないでください。オリジナルのプラグと適切なコンセントを使用することにより、感電の危険を小さくすることができます。
- ▶ パイプ、ラジエーター、電子レンジ、冷蔵庫などのアースされた面に体の一部が触れないようにしてください。体が触れると感電の危険が大きくなります。
- ▶ 電動工具を雨や湿気から保護してください。電動工具に水が浸入すると、感電の危険が大きくなります。
- ▶ 電動工具を持ち運んだり、吊り下げたり、コンセントからプラグを抜いたりするときは、必ず本体を持ち、電源コードを持ったり引っ張ったりしないでください。電源コードを火気、オイル、鋭利な刃物、可動部等に触れる場所に置かないでください。電源コードが損傷したり絡まったりしていると、感電の危険が大きくなります。
- ▶ 屋外工事の場合には、必ず屋外専用の延長コードを使用してください。屋外専用の延長コードを使用すると、感電の危険が小さくなります。
- ▶ 湿った場所で電動工具を起動させる必要がある場合は、漏電遮断器を使用してください。漏電遮断器を使用すると、感電の危険が小さくなります。

作業者に関する安全

- ▶ 電動工具を使用の際には、油断せずに十分注意し、常識をもった作業をおこなってください。疲れている場合、薬物、医薬品服用およびアルコール飲用による影響下にある場合には電動工具を使用しないでください。電動工具使用中の一瞬の不注意が重傷の原因となることがあります。
- ▶ 個人用保護具および保護メガネを常に着用してください。負傷の危険を低減するために、電動工具の使用状況に応じた粉じんマスク、耐滑性の安全靴、ヘルメット、耳栓などの個人用保護具を着用してください。



- ▶ 電動工具の意図しない始動を防止して下さい。電動工具を電源および / またはバッテリーに接続する前や本体を持ち上げたり運んだりする前に、本体がオフになっていることを必ず確認してください。オン / オフスイッチが入っている状態で電動工具のスイッチに指を掛けたまま運んだり、電源に接続したりすると、事故の原因となる恐れがあります。
- ▶ 電動工具のスイッチを入れる前に、必ず調節キーやレンチを取り外してください。調節キーやレンチが本体の回転部に装着されたままでは、けがの原因となる恐れがあります。
- ▶ 作業中は不安定な姿勢をとらないでください。足を安定させ、常にバランスを保つようにしてください。これにより、万一電動工具が異常状況に陥った場合にも、適切な対応が可能となります。
- ▶ 作業に適した作業着を着用してください。だぶだぶの衣服や装身具を着用しないでください。髪、衣服、手袋を本体の可動部に近づけないでください。だぶだぶの衣服、装身具、長い髪が可動部に巻き込まれる恐れがあります。
- ▶ 吸じんシステムの接続が可能な場合には、これらのシステムが適切に接続、使用されていることを確認してください。吸じんシステムを利用することにより、粉じん公害を防げます。
- ▶ 電動工具の取扱いに熟練している場合にも、正しい安全対策を遵守し、電動工具に関する安全規則を無視しないでください。不注意な取扱いは、ほんの一瞬で重傷事故を招くことがあります。

電動工具の使用および取扱い

- ▶ 無理のある使用を避けてください。作業用途に適した電動工具を使用してください。適切な電動工具の使用により、効率よく、スムーズかつ安全な作業が行えます。
- ▶ スwitchが故障している場合には、電動工具を使用しないでください。スイッチで始動および停止操作のできない電動工具は危険ですので、修理が必要です。
- ▶ 本体の設定やアクセサリーの交換を行う前や本体を保管する前には電源プラグをコンセントから抜き、および / または脱着式のバッテリーを取り外してください。この安全処置により、電動工具の意図しない始動を防止することができます。
- ▶ 電動工具をご使用にならない場合には、子供の手の届かない場所に保管してください。電動工具に関する知識のない方、本説明書をお読みでない方による本体のご使用は避けてください。未経験者による電動工具の使用は危険です。
- ▶ 電動工具とアクセサリーは慎重に手入れしてください。可動部分が引っ掛かりなく正常に作動しているか、電動工具の運転に影響を及ぼす各部分が破損・損傷していないかを確認してください。電動工具をご使用になる前に、損傷部分の修理を依頼してください。事故の多くは保守管理の不十分な電動工具の使用が原因となっています。
- ▶ 先端工具は鋭利で汚れない状態を保ってください。お手入れのゆきとどいた先端工具を使用すると、作業が簡単かつ、スムーズになります。
- ▶ 電動工具、アクセサリー、先端工具などは、それらの説明書に記載されている指示に従って使用してください。その際は、作業環境および用途についてもご注意ください。指定された用途以外に電動工具を使用すると危険な状況をまねく恐れがあります。
- ▶ グリップとグリップ面は乾燥した清潔な状態に保ち、オイルやグリスの付着がないようにしてください。グリップやグリップ面が滑りやすい状態になっていると、予期していない状況が発生した際に電動工具を安全に使用 / 制御できません。

バッテリー工具の使用および取扱い

- ▶ バッテリーを充電する場合は、必ずメーカー推奨の充電器を使用してください。特定タイプのバッテリー専用の充電器を他のバッテリーに使用すると、火災の恐れがあります。
- ▶ 電動工具には、必ず指定されたバッテリーを使用してください。指定以外のバッテリーを使用すると、負傷や火災の恐れがあります。
- ▶ 使用されていないバッテリーの近くに、事務用クリップ、硬貨、キー、釘、ネジ、その他の小さな金属物を置かないでください。電気接点の短絡が起こることがあります。バッテリーの電気接点間が短絡すると、火傷や火災が発生する危険があります。
- ▶ 正しく使用しないと、液漏れが発生することがあります。その場合、漏れた液には触れないでください。もしも触れてしまった場合は、水で洗い流してください。バッテリー液が眼に入った場合は、水で洗い流してから医師の診察を受けてください。流出したバッテリー液により、皮膚が刺激を受けたり火傷を負う恐れがあります。
- ▶ 損傷したあるいは変更が加えられたバッテリーは使用しないでください。損傷したあるいは変更が加えられたバッテリーは、予測不可能な挙動により爆発あるいは負傷事故を発生させる危険があります。
- ▶ バッテリーは火気あるいは高温に曝さないでください。火気あるいは 130°C (265°F) を超える高温は、爆発の原因となることがあります。
- ▶ 充電に関するすべての指示事項に従い、バッテリーあるいはバッテリー工具は、決して取扱説明書に記載された温度範囲外で充電しないでください。正しくない充電あるいは許容温度範囲外での充電により、バッテリーが破壊され火災が発生する危険があります。

サービス

- ▶ 電動工具の修理は必ず認定サービスセンターにお申し付けください。また、必ず純正部品を使用してください。これにより電動工具の安全性が確実に維持されます。



- ▶ 損傷したバッテリーは決して手入れや保守を行わないでください。バッテリーの保守作業はすべて、メーカーあるいは権限のあるお客様サービスセンターが行うものとします。

2.2 ハンマーに関する安全上の注意

すべての作業に関する安全上の注意

- ▶ 耳栓を着用してください。騒音により、聴覚に悪影響が出る恐れがあります。
- ▶ 本体と一緒に納品された補助ハンドルを使用してください。これ以外のハンドルを使用すると、コントロールを失ってけがをする恐れがあります。
- ▶ 先端工具が隠れた電線に接触する可能性のある作業を行う場合は、必ず本体の絶縁されたグリップを持ってください。通電しているケーブルと接触すると、本体の金属部分にも電圧がかかり、感電の危険があります。

長いドリルビットを使用する際の安全上の注意

- ▶ 穿孔作業は、常にドリルビットが作業材料と接触している状態で低い回転数から始めるようにしてください。回転数が高くてドリルビットが作業材料と接触せず自由に回転できる状態にあると、ドリルビットは簡単に曲がってしまうことがあり、これが負傷の原因となることがあります。
- ▶ 過度な力を加えず、常にドリルビットの縦方向にのみ力が作用するようにしてください。ドリルビットは曲がって折れてしまうこと、あるいはコントロールを失って負傷の原因となることがあります。

2.3 ロータリーハンマードリルに関するその他の安全上の注意

作業者に関する安全

- ▶ 本製品とアクセサリは、必ず技術的に問題のない状態で使用してください。
- ▶ 本製品あるいはアクセサリには、決して加工や改造を加えないでください。
- ▶ 製品と一緒に納品された補助ハンドルを使用してください。コントロールを失うとけがをする恐れがあります。
- ▶ 剥がし作業の場合には、作業側と反対の領域を保護してください。剥がれた部分が脱落、落下して他の人を負傷させる危険があります。
- ▶ 本製品は、常に両手でグリップを握んでしっかりと保持してください。グリップは乾燥した清潔な状態を保ってください。
- ▶ 隠れた電線に先端工具が接触する可能性のある作業を行う場合は、必ず本製品を絶縁されたグリップ面で保持するようにしてください。通電しているケーブルと接触すると、本体の金属部分にも電圧がかかり、感電の危険があります。
- ▶ 回転部に触れないでください - 負傷の危険！
- ▶ 本製品の使用時には、アイシールド、保護ヘルメット、耳栓、および適切な防じんマスクを着用してください。
- ▶ 先端工具の交換時には保護手袋を着用してください。先端工具に触れると、切削事故や火傷の原因となることがあります。
- ▶ アイシールドを着用してください。破片が身体の一部、眼などを傷つけることもあります。
- ▶ 研磨、紙やすり研磨、切断および穿孔の際に発生する粉じんは、化学物質を含んでいる場合があります。これには、鉛、あるいは鉛ベースの塗料、レンガ、コンクリートおよびその他の壁用資材、自然石およびその他の珪酸塩含有製品、樫、樺などの特定の木材、および化学処理の施された木材、アスベストあるいはアスベストが含まれる母材、などが考えられます。作業対象の資材の危険等級により、作業者および周囲の人員の曝露を確認してください。曝露を安全なレベルに維持するために、粉じん吸引システムの使用、あるいは適切な防じんマスクの着用などの必要な処置を取ってください。曝露の低減のための一般的な処置としては、以下のようなものがあります：
 - ▶ 十分に換気された領域での作業
 - ▶ 粉じんと長時間の接触の回避
 - ▶ 粉じんを顔や体から遠ざける
 - ▶ 保護服を着用し、水と石鹸で曝露領域を洗浄する
- ▶ 頻繁に休憩を取って、指を動かして血行を良くするように心がけてください。長時間作業の際には、強い振動により指、手あるいは手首の関節の血管あるいは神経系に障害が発生する可能性があります。

電気に関する安全注意事項

- ▶ 作業を開始する前に、作業領域に埋設された電線、ガス管や水道管がないかを調査してください。電線、ガス管あるいは水道管を損傷すると、本製品外側の金属部分での感電事故、あるいは爆発が発生する可能性があります。

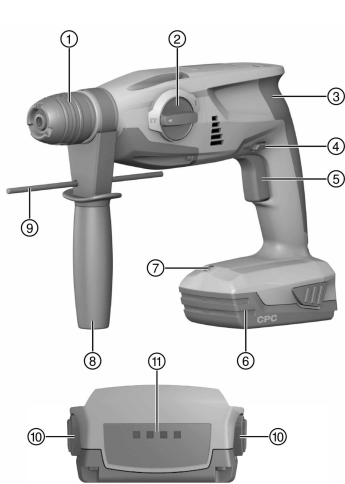
電動工具の慎重な取扱いおよび使用

- ▶ 先端工具がブロックしたら直ちに本製品をオフにします。本製品が横にそれることがあります。
- ▶ 本製品は停止するまで置かないでください。



3 製品の説明

3.1 製品概要



- ① チャックTE-C Click
- ② 機能切替スイッチ
- ③ グリップ
- ④ 正回転 / 逆回転切り替えスイッチ (スイッチオンロック付き)
- ⑤ 無段変速スイッチ
- ⑥ バッテリー
- ⑦ 作業用照明
- ⑧ サイドハンドル
- ⑨ デプスゲージ
- ⑩ 追加機能 (充電状態インジケータ作動) 付きリリースボタン
- ⑪ バッテリー充電状態インジケータ

3.2 正しい使用

本書で説明している製品は、充電式ロータリーハンマードリルです。本製品は、鋼材と木材ならびに石材への穿孔 (回転のみ)、コンクリートおよび石材への打撃穿孔、ネジの取付け、取外し用の工具です。

- 本製品には、必ずHiltiのB 22シリーズのLi-Ionバッテリーを使用してください。
- これらのバッテリーには、必ずHiltiが承認した充電器を使用してください。詳細情報については、弊社営業担当またはHilti Storeにお問い合わせいただくか、あるいはwww.hilti.groupでご確認ください。

3.3 Li-Ion バッテリーのインジケータ

Li-Ion バッテリーの使用時には、いずれかのリリースボタンを押すと充電状況を表示させることができます。

状態	意味
4 個の LED が点灯。	充電状態: 75 %...100 %
3 個の LED が点灯。	充電状態: 50 %...75 %
2 個の LED が点灯。	充電状態: 25 %...50 %
1 個の LED が点灯。	充電状態: 10 %...25 %
1 個の LED が点滅。	充電状態: < 10 %

作業中および作業直後は、充電状態の読み取りは行えません。バッテリーの充電状態インジケータのLEDが点滅している場合は、「故障かな?」と思った時」の章の注意事項を確認してください。

3.4 本体標準セット構成

ロータリーハンマードリル、サイドハンドル、デプスゲージ、取扱説明書。

粉じんの飛散を防止するために、アクセサリとしてTE DRS-S 集じんモジュールが提供されています。その他のご使用の製品用に許可されたシステム製品については、弊社営業担当またはHilti Storeにお問い合わせいただくか、あるいはwww.hilti.groupでご確認ください。



4 製品仕様

4.1 ロータリーハンマードリル

	TE 2-A22
定格電圧	21.6 V
EPTA Procedure 01 に準拠した重量 (B228.0 バッテリーを含む)	3.3 kg
コンクリート / 石材への穿孔 (ハンマードリルビット)	4 mm ... 16 mm
金属への穿孔 (鉄工用ドリルビット)	0 mm ... 10 mm
デブスゲージの最大長さ	180 mm

4.2 騒音および振動値について (EN 62841 準拠)

本説明書に記載されているサウンドプレッシャー値および振動値は、規格に準拠した測定方法に基づいて測定したものです。電動工具を比較するのにご使用いただけます。曝露値の暫定的な予測にも適しています。記載されているデータは、電動工具の主要な使用方法に対する値です。電動工具を他の用途で使用したり、異なる先端工具を取り付けて使用したり、手入れや保守が十分でないまま使用した場合には、データが異なることがあります。このような相違により、作業時間全体で曝露値が著しく高くなる可能性があります。曝露値を正確に予測するためには、電動工具のスイッチをオフにしている時間や、電動工具が作動していても実際には使用していない時間も考慮しなければなりません。このような相違により、作業時間全体で曝露値が著しく低くなる可能性があります。

作業者を騒音および / または振動による作用から保護するために、他にも安全対策を立ててください (例 : 電動工具および先端工具の手入れや保守、手を冷やさないようにする、作業手順の編成)。

騒音について

サウンドパワーレベル (L_{WA})	103 dB(A)
排出サウンドプレッシャーレベル (L_{pA})	92 dB(A)
不確実性 (音響値) (K_{pA} および K_{WA})	3 dB(A)

合計振動値

金属への穿孔 ($a_{h, D}$)	B 22/2.6 Li-Ion (01)	2.5 m/s ²
コンクリートへの打撃穿孔 ($a_{h, HD}$)	B 22/2.6 Li-Ion (01)	12.7 m/s ²
不確実性 (合計振動値)		1.5 m/s ²

4.3 バッテリー

バッテリー作動電圧	21.6 V
作動時の周囲温度	-17 °C ... 60 °C
保管温度	-20 °C ... 40 °C
充電開始時のバッテリー温度	-10 °C ... 45 °C

5 ご使用方法

5.1 作業準備

警告

負傷の危険 意図しない始動!

- ▶ バッテリーを装着する前に、バッテリーを装着する製品のスイッチがオフになっていることを確認してください。
- ▶ 本体の設定、またはアクセサリーの交換の前にバッテリーを取り外してください。

本書および製品に記載されている安全上の注意と警告表示に注意してください。

5.1.1 サイドハンドルを取り付ける

1. グリップを回してサイドハンドルのクランピングバンドを緩めます。



2. クランピングバンドを前方から取付け用溝のところまでスライドさせてチャックへと取り付けます。
3. サイドハンドルをご希望の位置にします。
4. グリップを回してサイドハンドルのクランピングバンドを張ります。

5.1.2 バッテリーを装着する

1. ロックの音が聞こえるまでバッテリーを本体ホルダーに装着します。
2. バッテリーがしっかりと装着されていることを確認してください。

5.1.3 バッテリーを取り外す

1. バッテリーのロック解除ボタンを押します。
2. バッテリーを後方へ引き抜きます。

5.1.4 先端工具を装着する

1. 先端工具のコネクションエンドにグリスを軽く塗布します。
 - ▶ 必ず Hilti の純正グリスを使用してください。不適切なグリスを使用すると本体損傷の原因となることがあります。
2. 先端工具をチャックのストップ位置まで差し込み、ロックさせます。
3. 装着後に先端工具を引っ張り、ロックされているか確認します。
 - ▶ 製品は作動可能状態です。

5.1.5 先端工具を取り外す

注意

先端工具による負傷の危険！ 先端工具は熱くなっていたり、エッジが鋭くなっている場合があります。

- ▶ 先端工具を交換する際には保護手袋を着用してください。

- ▶ チャックロックスリーブをストップ位置まで引き戻し、先端工具を取り外します。

5.1.6 デプスゲージを取り付ける (オプション)

1. グリップを回してサイドハンドルのクランピングバンドを緩めます。
2. デプスゲージを前方から取付け用の 2 個のガイド穴に通します。
3. グリップを回してサイドハンドルのクランピングバンドを張ります。

5.2 作業

注意

損傷の危険 不正な取扱い！

- ▶ 作動中は、回転方向および / または機能選択用スイッチを操作しないでください。

本書および製品に記載されている安全上の注意と警告表示に注意してください。

5.2.1 作業用照明



コントロールスイッチを操作すると、LED は自動的に有効になります。コントロールスイッチから手を放すと、LED はゆっくりと消灯します。

- ▶ コントロールスイッチを押します。

5.2.2 回転方向

- ▶ 回転方向を設定します。
 - ▶ スイッチはこの位置でロックされます。

5.2.3 回転のみ

- ▶ 機能切り替えスイッチを の位置にします。

5.2.4 回転 + 打撃

- ▶ 機能切り替えスイッチを の位置にします。



6 手入れと保守

6.1 手入れと保守

警告

バッテリーを装着した状態における負傷の危険！

▶ 手入れや保守作業の前に必ずバッテリーを取り外してください！

製品の手入れ

- 付着した汚れを慎重に除去してください。
- 汚れが付着している場合は、通気溝を乾いた柔らかいブラシを使用して慎重に掃除してください。
- 必ず少し湿した布でハウジングを拭いてください。シリコンを含んだ磨き粉はプラスチック部品をいためる可能性があるので使用しないでください。
- 本製品の電気接点を清掃するには、清潔な乾いた布を使用してください。

Li-Ion バッテリーの手入れ

- 通気溝が詰まっているバッテリーは決して使用しないでください。通気溝を乾いた柔らかいブラシを使用して慎重に掃除してください。
- バッテリーを不必要に粉じんや汚れに曝さないようにしてください。バッテリーは、決して高い湿度に曝さないでください（例：水中に沈める、あるいは雨中に放置する）。水分が浸入したバッテリーは、損傷したもものとして取り扱ってください。そのようなバッテリーは不燃性の容器に隔離し、Hilti サービスセンターにご連絡ください。
- バッテリーには、本製品に使用しているのではないオイルやグリスが付着しないようにしてください。バッテリーに不必要な粉じんあるいは汚れが堆積しないようにしてください。バッテリーは、乾いた柔らかいブラシまたは乾いた布で清掃してください。シリコンを含んだ磨き粉はプラスチック部品をいためる可能性があるので使用しないでください。バッテリーの電気接点に手を触れないでください、また、工場出荷時に塗布されているグリスを電気接点からぬぐい取らないでください。
- 必ず少し湿した布でハウジングを拭いてください。シリコンを含んだ磨き粉はプラスチック部品をいためる可能性があるので使用しないでください。

保守

- 目視確認可能なすべての部品については損傷の有無を、操作エレメントについては問題なく機能することを定期的に点検してください。
- 損傷および / または機能に問題のある場合は、本製品を使用しないでください。速やかにHilti サービスセンターに本製品の修理を依頼してください。
- 手入れおよび保守作業の後には、すべての安全機構を取り付けて、それらが問題なく作動するか点検してください。



安全な作動のために、必ず純正のスペアパーツと消耗品を使用してください。本製品向けにHilti が承認したスペアパーツ、消耗品およびアクセサリーは、弊社営業担当またはHilti Store お問い合わせいただくか、あるいはwww.hilti.group

6.2 防じんカバーの清掃

- ▶ チャックの防じんカバーは、清潔な乾いた布で定期的に清掃してください。
- ▶ シーリングリップをていねいに拭き、Hilti グリスを薄く塗布します。
- ▶ シーリングリップに損傷がある場合は、防じんカバーを必ず交換してください。

7 搬送および保管

7.1 バッテリー式工具およびバッテリーの搬送および保管

搬送

注意

搬送時の予期しない始動！

- ▶ お使いの製品は、必ずバッテリーを装着していない状態で搬送してください！
- ▶ バッテリーを取り外してください。
- ▶ バッテリーは決して梱包しない状態で搬送しないでください。搬送中のバッテリーは、他のバッテリー電極と接触して短絡の原因となることを防ぐために、過大な衝撃や振動から保護し、あらゆる導電性の



物体あるいは他のバッテリーから隔離する必要があります。バッテリーの搬送に関する各国（地域）の規則を遵守してください。

- ▶ バッテリーは郵送しないでください。損傷していないバッテリーを送付する場合は、運送業者を手配してください。
- ▶ 使用前にその都度、また長距離の搬送の前には、製品とバッテリーに損傷がないか点検してください。

保管上の注意事項



警告

故障したあるいは液漏れしたバッテリーによる予期しない損傷！

▶ お使いの製品は、必ずバッテリーを装着していない状態で保管してください！

- ▶ 製品とバッテリーは涼しくて乾燥した場所に保管してください。製品仕様に記載されている温度の限界値に注意してください。
- ▶ バッテリーは充電器内で保管しないでください。充電の後は、必ずバッテリーを充電器から取り出してください。
- ▶ バッテリーを太陽の直射下、熱源の上、窓際等で保管しないでください。
- ▶ 製品およびバッテリーは、子供や権限のない人が手を触れることのないようにして保管してください。
- ▶ 使用前にその都度、また長期にわたる保管の前には、製品とバッテリーに損傷がないか点検してください。

8 故障かな？と思った時

8.1 故障時のヒント

この表に記載されていない、あるいはご自身で解消することのできない故障が発生した場合には、弊社営業担当またはHilti サービスセンターにご連絡ください。

8.2 ローターハンマードリルは作動不能状態

故障	考えられる原因	解決策
ロータリーハンマードリルが始動しない。	ロータリーハンマードリルの過負荷。	▶ ローターハンマードリルをオフにし、バッテリーを取り外してロータリーハンマードリルを使用しない。
LED 表示がない。	バッテリーが完全に装着されていない。	▶ バッテリーを「カチッカチツ」と音がするまでロックする。
	バッテリーが放電している。	▶ バッテリーを交換し、空のバッテリーを充電する。
	バッテリーの温度が高すぎる、または低すぎる。	▶ バッテリーを推奨運転温度まで冷やす / 暖める。
1 個の LED が点滅。	バッテリーが放電している。	▶ バッテリーを交換し、空のバッテリーを充電する。
	バッテリーの温度が高すぎる、または低すぎる。	▶ バッテリーを推奨運転温度まで冷やす / 暖める。
4 個の LED が点滅。	ロータリーハンマードリルの短時間の過負荷。	▶ コントロールスイッチから指を放し、改めてコントロールスイッチを操作する。
	過熱保護が作動した。	▶ ローターハンマードリルを冷まし、通気溝を清掃する。

8.3 ローターハンマードリルは作動可能状態

故障	考えられる原因	解決策
打撃がない。	ロータリーハンマードリルの温度が低すぎる。	▶ ローターハンマードリルを母材に接触させて、アイドリング回転させる。打撃機構が始動するまでこれを繰り返す。



故障	考えられる原因	解決策
打撃がない。	機能切替スイッチが「回転のみ」に設定されている。	▶ 機能切替スイッチを「回転 + 打撃」にする。
コントロールスイッチが押せない、あるいは動かない。	正回転 / 逆回転切り替えスイッチが中立位置。	▶ 正回転 / 逆回転切り替えスイッチを右または左へ押す。
本体スピンドルが回転しない。	ロータリーハンマードリル本体の電子回路の作動温度が許容範囲を越えている。	▶ ロータリーハンマードリルを冷ます。
	バッテリーが放電している。	▶ バッテリーを交換し、空のバッテリーを充電する。
ロータリーハンマードリルが自動的にオフになる。	過負荷保護機構（スピードレギュレーター）が作動している。	▶ コントロールスイッチから指を放す。ロータリーハンマードリルを冷ます。コントロールスイッチを改めて操作する。負荷を低減する。
バッテリーの消耗が通常よりも早い。	バッテリーの状態が好ましくない。	▶ バッテリーを交換する。
バッテリーが「カチッカチ」と音がするまでロックされない。	バッテリーのロックノッチが汚れている。	▶ ロックノッチを清掃してバッテリーを改めてロックする。
ロータリーハンマードリルあるいはバッテリーが熱くなる。	電氣的故障	▶ ロータリーハンマードリルを直ちにオフにする。バッテリーを取り外して点検する。バッテリーを冷ます。Hilti サービスセンターに連絡する。
	ロータリーハンマードリルの過負荷（適用基準を越えている）	▶ 用途に適した本体を選択する。
先端工具をロックから取り出せない。	チャックが完全に開いていない。	▶ チャックロックスリーブをストップ位置まで引き戻し、先端工具を取り外す。
先端工具が切削しない。	ロータリーハンマードリルが逆回転になっている。	▶ 正回転 / 逆回転切り替えスイッチを正回転にする。

9 廃棄

Hilti 製品の大部分の部品はリサイクル可能です。リサイクル前にそれぞれの部品は分別して回収されなければなりません。多くの国で Hilti は、古い電動工具をリサイクルのために回収しています。詳細については弊社営業担当または Hilti 代理店・販売店にお尋ねください。



▶ 電動工具、電子機器およびバッテリーを一般ゴミとして廃棄してはなりません！

10 メーカー保証

▶ 保証条件に関するご質問は、最寄りの Hilti 代理店・販売店までお問い合わせください。

오리지널 사용설명서

1 사용 설명서 관련 정보

1.1 본 사용 설명서에 관하여

- 처음 이 제품을 사용하기 전에 본 사용 설명서를 읽으십시오. 안전하게 작업하고 문제 없이 취급하기 위한 전제가 됩니다.
- 본 사용 설명서 및 제품에 나와 있는 안전상의 주의사항 및 경고 지침에 유의하십시오.
- 항상 제품에 있는 사용 설명서를 잘 보관하고 제품은 반드시 본 사용 설명서와 함께 다른 사람에게 전달하십시오.



1.2 기호 설명

1.2.1 경고사항

본 제품을 다루면서 발생할 수 있는 위험에 대한 경고사항. 다음과 같은 시그널 워드가 사용됩니다.

위험

위험!

▶ 이 기호는 직접적인 위험을 표시합니다. 만약 지키지 않으면 심각한 부상을 당하거나 사망할 수도 있습니다.

경고

경고!

▶ 이 기호는 잠재적인 위험을 표시합니다. 만약 지키지 않으면 심각한 부상을 당하거나 사망할 수도 있습니다.

주의

주의!

▶ 이 기호는 잠재적인 위험 상황을 표시합니다. 만약 지키지 않으면 부상 또는 물적 손실을 입을 수 있습니다.

1.2.2 사용 설명서에 사용된 기호

본 사용 설명서에서 사용되는 기호는 다음과 같습니다.

	사용 설명서에 유의하십시오
	적용 지침 및 기타 유용한 사용정보
	재사용이 가능한 자재 취급방법
	전기 기기 및 배터리를 일반 가정의 쓰레기처럼 폐기해서는 안 됨
	Hilti 리튬 이온 배터리
	Hilti 충전기

1.2.3 그림에 사용된 기호

다음과 같은 기호가 그림에 사용됩니다.

	이 숫자는 본 사용 설명서 첫 부분에 있는 해당 그림을 나타냅니다.
	그림에 매겨진 번호는 중요한 작업 순서 또는 작업 순서에 중요한 부분을 나타냅니다. 텍스트에 해당 작업 순서 또는 해당 번호가 매겨진 부분이 강조 표시됩니다(예: (3)).
	항목 번호는 개요 그림에서 사용되며 제품 개요 단락에 나와 있는 기호 설명 번호를 나타냅니다.
	이 표시는 제품을 다룰 때, 특별히 주의할 사항을 나타냅니다.

1.3 제품 관련 기호

1.3.1 제품에 사용된 기호

제품에 사용되는 기호는 다음과 같습니다.

	함마링 컷아웃
	타격하여 드릴링(함마드릴링)
	정회전/역회전
n_0	무부하 회전속도



	분당 회전수
	직류
	리튬이온 배터리
	사용한 Hilti 리튬이온 배터리 모델 시리즈. 규정에 맞는 사용 단원에 제시된 내용에 유의하십시오.
	배터리는 절대 타격 공구로 사용해서는 안 됩니다.
	배터리를 떨어뜨리지 마십시오. 타격을 받은 적이 있거나 다른 손상이 있는 배터리는 사용하지 마십시오.
	본 기기는 iOS 및 Android 플랫폼과 호환 가능한 NFC 기술을 지원합니다.

1.4 제품 정보

HILTI 제품은 전문가용으로 설계되어 있으며, 해당 교육을 이수한 공인된 작업자를 통해서만 조작, 유지 보수 및 수리 작업을 진행할 수 있습니다. 이 기술자는 발생할 수 있는 위험에 대해 특별 교육을 받은 상태여야 합니다. 교육을 받지 않은 사람이 제품을 부적절하게 취급하거나 규정에 맞지 않게 사용할 경우에는 기기와 그 보조기구에 의해 부상을 당할 위험이 있습니다.

형식 명칭 및 일련 번호는 형식 라벨에 제시되어 있습니다.

▶ 일련 번호를 다음의 표에 옮기십시오. 대리점 또는 서비스 센터에 문의할 경우 제품 제원이 필요합니다.

제품 제원

모델:	TE 2-A22
세대:	02
일련번호:	

1.5 적합성 선언

폐사는 전적으로 책임을 지고 여기에 기술된 제품이 통용되는 기준과 규격에 일치함을 공표합니다. 적합성 증명서 사본은 본 문서 끝 부분에서 확인할 수 있습니다.

기술 문서는 이곳에 기술되어 있습니다.

Hilti Entwicklungsgesellschaft mbH | Zulassung Geräte | Hiltistraße 6 | 86916 Kaufering, DE

2 안전

2.1 전동 공구에 대한 일반적인 안전상의 주의사항

⚠ 경고 해당 전동 공구와 함께 동봉된 모든 안전상의 주의 사항, 지침, 그림 및 기술자료를 숙지하십시오. 다음과 같은 지침 내용을 준수하지 않으면 전기 충격, 화재가 발생하거나 그리고/또는 중상을 입을 수 있습니다. 앞으로 모든 안전상의 주의사항과 지침을 보관하십시오.

안전상의 주의사항에서 사용되는 "전동 공구"라는 개념은 전원에 연결하여 사용하는 전동 공구(전원 케이블 있음) 또는 배터리를 사용하는 전동 공구(전원 케이블 없음)를 의미합니다.

작업장 안전수칙

- ▶ 작업장을 항상 깨끗이 하고 조명이 잘 들도록 하십시오. 어수선한 작업환경 또는 어두운 작업장은 사고를 초래할 수 있습니다.
- ▶ 인화성 액체, 가스 또는 먼지가 있어 폭발 위험이 있는 환경에서는 전동 공구를 사용하지 마십시오. 전동 공구는 먼지나 증기를 점화시킬 수 있는 스파크를 일으킵니다.
- ▶ 전동 공구를 사용할 때, 어린이들이나 다른 사람들이 작업장에 접근하지 못하도록 하십시오. 다른 사람의 방해로 인해 기기를 통제하기 어렵습니다.

전기에 관한 안전수칙

- ▶ 전동 공구의 전원 플러그가 소켓에 잘 끼워져야 합니다. 플러그를 절대 변형시켜서는 안됩니다. 접지된 전동 공구와 함께 아답타 플러그를 사용하지 마십시오. 변형되지 않은 플러그와 적합한 소켓을 사용하면 감전의 위험을 줄일 수 있습니다.
- ▶ 파이프, 히터, 전기레인지, 냉장고와 같은 접지 표면에 신체 접촉을 피하십시오. 신체에 닿을 경우 감전될 위험이 높습니다.



- ▶ 전동 공구가 비에 맞지 않도록 하고 습한 장소에 두지 마십시오. 전동 공구에 물이 들어가면 감전될 위험이 높습니다.
- ▶ 전원 케이블만 잡고 전동 공구를 운반하거나 걸어 놓아서서는 안되며, 소켓에서 전원 플러그를 빼낼 때 케이블만 잡은 채로 빼내지 마십시오. 전원 케이블이 열, 오일, 날카로운 모서리 또는 부품의 가동 부위에 접촉하지 않도록 주의하십시오. 손상되거나 서로 꼬인 전원 케이블은 감전 위험을 높입니다.
- ▶ 실외에서 전동 공구를 이용하여 작업할 때, 실외용으로 승인된 연장 케이블만 사용하십시오. 실외용 연장 케이블을 사용하면 감전의 위험을 줄여줍니다.
- ▶ 전동 공구를 습한 환경에서 사용하는 것을 피할 수 없을 경우, 누전 차단기를 사용하십시오. 누전 차단기를 사용하면 감전 위험을 줄일 수 있습니다.

사용자 안전수칙

- ▶ 신중하게 작업하십시오. 작업에 정신을 집중하고 전동 공구를 사용할 때 경솔하게 행동하지 마십시오. 피곤하거나 항정신성 약물, 술 또는 약물 복용시에는 전동 공구를 사용하지 마십시오. 전동 공구 사용 시에 유의하지 않을 경우 심각한 부상을 초래할 수 있습니다.
- ▶ 안전 장비를 갖추고 보안경을 착용하십시오. 전동 공구의 종류와 사용에 따라, 먼지 보호 마스크, 미끄럼 방지용 안전 신발, 안전모 또는 귀마개 등과 같은 안전한 보호장비를 착용하면 부상의 위험을 줄일 수 있습니다.
- ▶ 실수로 기기가 작동하지 않도록 주의하십시오. 전동 공구를 전원 그리고/또는 배터리에 연결하기 전, 보관 또는 운반 전에 전동 공구가 스위치 OFF 상태인지 확인하십시오. 전동 공구 운반 시 스위치에 손가락을 대거나 스위치가 켜진 상태에서 전원을 연결하면 사고를 유발할 수 있습니다.
- ▶ 전동 공구의 스위치를 켜기 전, 조정공구 또는 렌치를 제거하십시오. 기기 회전부에 남아있는 공구나 렌치로 인해 부상을 입을 수 있습니다.
- ▶ 작업 시 비정상적인 자세는 피하십시오. 안전한 작업자세가 되도록 하고, 항상 균형을 유지하십시오. 이렇게 하여 예기치 않은 상황에서도 전동 공구를 잘 제어할 수 있습니다.
- ▶ 적합한 작업복을 착용하십시오. 헐렁한 복장이나 장식품을 착용하지 마십시오. 작동하는 기기 가동 부위에 머리, 옷 그리고 장갑이 가까이 닿지 않도록 주의하십시오. 헐렁한 복장, 장식품 혹은 긴 머리가 가동 부위에 말려 들어갈 수 있습니다.
- ▶ 먼지 제거장치나 수거장치를 설치할 수 있는 기기의 경우, 이 장치들이 연결되어 있는지 그리고 제대로 작동되는지를 확인하십시오. 먼지 포집장치 사용은 먼지로 인한 위험을 줄여줄 수 있습니다.
- ▶ 이 전동 공구를 여러번 사용해봤다고 해서 안전하다고 안심하지 말고 전동 공구에 해당되는 안전 규칙을 무시하지 마십시오. 부주의하게 행할 경우 아주 짧은 시간에 중상을 입을 수 있습니다.

전동 공구의 취급과 사용

- ▶ 기기에 과부하가 걸리지 않도록 하십시오. 귀하의 작업에 적합한 전동 공구를 사용하십시오. 적합한 전동 공구를 사용하면, 지정된 성능 한도 내에서 더 효율적으로 안전하게 작업할 수 있습니다.
- ▶ 스위치가 고장난 전동 공구는 사용하지 마십시오. 스위치가 작동되지 않는 전동 공구는 위험하므로, 반드시 수리를 해야 합니다.
- ▶ 기기 세팅을 실행, 액세서리를 교환 또는 기기를 보관하기 전에 콘넥터를 전원소켓에서 그리고/또는 탈착식 배터리를 기기에서 빼놓으십시오. 이러한 조치는 실수로 전동 공구가 작동하지 않도록 방지합니다.
- ▶ 사용하지 않는 전동 공구는 어린이들의 손이 닿지 않는 곳에 보관하십시오. 기기 사용에 익숙치 않거나 또는 이 안전수칙을 읽지 않은 사람이 기기를 사용해서는 안 됩니다. 비숙련자가 전동 공구를 사용하면 위험합니다.
- ▶ 전동 공구 및 액세서리를 유의해서 관리하십시오. 기기의 가동 부위가 완벽하게 작동하는지, 끼어 있지 않은지, 혹은 부품이 손상되거나 파손되어 있어 전동 공구의 기능을 저하시키지 않는지 점검하십시오. 기기 사용 전 손상된 부품을 수리하도록 하십시오. 제대로 관리되지 않은 전동 공구는 많은 사고를 유발합니다.
- ▶ 절단기기는 날카롭고 깨끗하게 관리하십시오. 날카로운 절단면이 있고 잘 관리된 절단기기는 끼이는 경우가 드물고 조절하기도 쉽습니다.
- ▶ 본 지침에 따라 전동 공구, 액세서리, 공구 비트 등을 사용하십시오. 이 때 작업 조건과 실시하려는 작업 내용을 고려하십시오. 원래 사용 분야가 아닌 다른 작업에 전동 공구를 사용할 경우, 위험한 상황을 초래할 수 있습니다.
- ▶ 손잡이 및 손잡이 표면은 건조하고 깨끗하게, 그리고 오일과 그리스가 묻어있지 않도록 해야 합니다. 미끄러운 손잡이 및 손잡이 표면은 예상치 못한 상황에서 전동 공구를 안전하게 조작하고 제어할 수 없습니다.

배터리 공구의 취급과 사용

- ▶ 제조회사가 권장한 충전기에만 배터리를 충전시키십시오. 특정한 형식의 배터리를 사용하도록 규정되어 있는 충전기에 다른 배터리를 사용할 경우 화재 발생의 위험이 있습니다.
- ▶ 전동 공구에 적합하게 규정된 배터리만 사용하십시오. 다른 배터리를 사용하면 부상을 입을 수 있고, 화재가 발생할 수 있습니다.
- ▶ 배터리를 사용하지 않을 경우 클립, 동전, 키, 못, 나사 또는 다른 소형 금속 물질로부터 사용하지 않는 배터리를 멀리 떨어뜨려 놓아주십시오. 배터리 간 단락으로 인한 연소 또는 화재를 초래할 수 있습니다.



- ▶ 잘못 사용할 경우, 배터리로부터 전해액이 흘러나올 수 있습니다. 전해액을 직접 만지지 마십시오. 실수로 만졌을 경우, 물로 씻으십시오. 전해액이 눈에 들어갔으면, 의사와 상담하십시오. 배터리로부터 흘러나온 전해액은 피부를 손상시킬 수 있으며, 화재를 발생시킬 수 있습니다.
- ▶ 손상된 배터리 또는 변경된 배터리를 사용하지 마십시오. 손상된 배터리 또는 변경된 배터리는 예상치 못한 상황 및 화재, 폭발 또는 부상 위험을 초래할 수 있습니다.
- ▶ 배터리에서 불꽃이 발생하거나 또는 배터리가 너무 높은 온도에 노출되지 않게 하십시오. 불꽃 또는 온도가 130 °C (265 °F)를 넘으면 폭발을 일으킬 수 있습니다.
- ▶ 충전에 관한 모든 지침을 준수하여 배터리 또는 배터리 공구를 절대 사용 설명서에 제시된 범위를 벗어난 온도에서 충전하지 마십시오. 잘못 충전하거나 허용된 범위를 벗어난 온도에서 충전하면 배터리가 파손되어 화재 발생 위험이 높아질 수 있습니다.

서비스

- ▶ 정통 공구는 반드시 자격을 갖춘 전문가에 의해 그리고 순정 대체부품만 이용하여 수리해야 합니다. 이렇게 하여 기기의 안전성을 계속해서 유지할 수 있습니다.
- ▶ 손상된 배터리를 절대 수리하지 마십시오. 배터리 수리는 제조회사 또는 권한을 위임받은 고객 서비스센터에서만 이루어져야 합니다.

2.2 해머에 대한 안전상의 주의사항

모든 작업에 대한 안전상의 주의사항

- ▶ 귀마개를 착용하십시오. 소음은 청각 상실을 유발할 수 있습니다.
- ▶ 기기와 함께 공급된 보조 손잡이를 사용하십시오. 기기를 제어하지 못하면 부상을 입을 수 있습니다.
- ▶ 숨겨진 전선에 공구 비트가 접촉할 수 있는 작업을 실행할 경우, 항상 기기의 절연된 손잡이 부분을 잡으십시오. 전류가 흐르는 전선과 접촉하면 전동공구의 금속 부위를 통해 감전이 될 수도 있습니다.

긴 드릴 사용 시 안전상의 주의사항

- ▶ 드릴 작업은 항상 낮은 속도로 드릴이 공작물에 닿은 상태로 시작하십시오. 더 높은 속도로 작업하는 경우 드릴이 공작물에 닿지 않은 상태에서 회전하면 쉽게 구부러져 부상을 입을 수 있습니다.
- ▶ 과도한 힘을 가하지 말고 드릴이 작동하는 방향으로만 힘을 가하십시오. 드릴이 휘어져 파손되거나 통제력을 잃어 부상을 유발할 수 있습니다.

2.3 그외 로터리 합마 드릴에 관한 안전상의 주의사항

사용자 안전수칙

- ▶ 기술적 하자가 없는 상태에서만 제품 및 액세서리를 사용하십시오.
- ▶ 어떠한 경우에도 제품 또는 액세서리를 변경하거나 개조하지 마십시오.
- ▶ 제품과 함께 공급된 보조 손잡이를 사용하십시오. 기기를 제어하지 못하면 부상을 입을 수 있습니다.
- ▶ 천공 작업 시, 작업할 부분의 반대편이 안전하게 조치를 취하십시오. 발생하는 분쇄물이 빠져 나오거나 또는 떨어지면서 다른 사람이 부상을 입을 수 있습니다.
- ▶ 항상 양손으로 제품의 손잡이를 잡고 공구를 고정시키십시오. 손잡이는 건조하고 깨끗하게 유지하십시오.
- ▶ 숨겨진 전선에 공구 비트가 접촉할 수 있는 작업을 실행할 경우, 항상 제품의 절연된 손잡이 부분을 잡으십시오. 전류가 흐르는 전선과 접촉하면 전동 공구의 금속 부위를 통해 감전이 될 수도 있습니다.
- ▶ 회전하는 부품에 접촉하지 않도록 하십시오. - 부상 위험!
- ▶ 제품을 사용할 때에는 보안경, 안전모, 귀마개 및 적합한 보호 마스크를 착용하십시오.
- ▶ 공구 교체 시 보호장갑을 착용하십시오. 공구 비트에 닿으면 부상을 입거나 화상을 당할 수 있습니다.
- ▶ 보안경을 착용하십시오. 재료의 파편으로 인해 눈 등 신체에 부상을 입을 수 있습니다.
- ▶ 샌딩, 연마, 절단 및 드릴링 작업 시 발생하는 먼지에는 위험한 화학물질이 함유되어 있을 수 있습니다. 예를 들어 납 또는 납 계열의 페인트, 벽돌, 콘크리트 및 기타 조적 벽돌 제품, 자연석 및 기타 실리콘 함유 제품, 참나무, 너도밤나무 및 화학 처리된 목재 등과 같은 특정 목재, 석면 또는 석면이 함유된 자재 등이 있을 수 있습니다. 작업하는 자재의 위험 등급을 따라 조각자 및 주변에 있는 사람들의 노출 정도를 결정하십시오. 안전한 수준에서 노출이 이루어질 수 있도록 예를 들어 먼지 포집장치 사용 또는 적합한 보호 마스크 착용 등 필요한 조치를 취하십시오. 노출을 줄일 수 있는 일반적인 조치:
 - ▶ 환기가 잘 되는 곳에서 작업하기,
 - ▶ 장시간 먼지 접촉 피하기,
 - ▶ 얼굴 및 신체의 먼지를 다른 곳으로 털어내기,
 - ▶ 보호 복장 착용 및 노출된 영역을 비누와 물로 세척하기.
- ▶ 손가락의 혈액순환이 잘 되도록 자주 휴식시간을 갖고, 휴식하는 동안 손가락 운동을 하십시오. 장시간 작업하면 강한 진동으로 인해 혈관 장애 또는 손가락, 손 및 손목의 신경 체계에 이상이 있을 수 있습니다.



전기에 관한 안전수칙

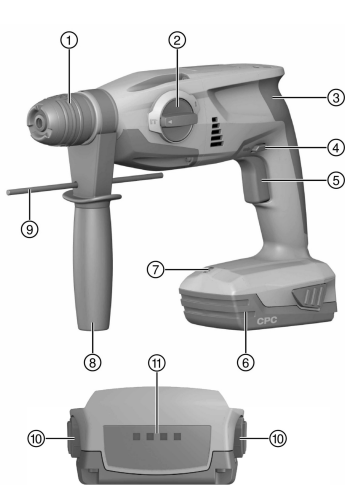
- ▶ 작업을 시작하기 전에, 작업장에서 가려져 있거나 덮혀 있는 전기 배선, 가스 파이프 그리고 하수도관이 있는지를 점검하십시오. 전기 배선, 가스 파이프 또는 하수도관을 손상시킨 경우, 제품 바깥쪽에 있는 금속 부품에서 감전 또는 폭발을 유발할 수 있습니다.

전동 공구의 올바른 사용방법과 취급방법

- ▶ 공구 비트가 블록킹된 경우 즉시 제품의 전원을 끄십시오. 제품이 옆으로 기울어질 수 있습니다.
- ▶ 제품을 내려놓기 전에 제품이 완전히 정지할 때까지 기다리십시오.

3 제품 설명

3.1 제품 개요



- ① 척 아답타TE-C Click
- ② 기능 선택 스위치
- ③ 손잡이
- ④ 정회전/역회전 스위치 (스위치ON 로크 포함)
- ⑤ 컨트롤 스위치
- ⑥ 배터리
- ⑦ 작업 공간 조명
- ⑧ 측면 손잡이
- ⑨ 깊이 게이지
- ⑩ 충전 상태 표시 활성화 추가 기능을 갖춘 잠금 해제 버튼
- ⑪ 배터리 충전상태 디스플레이

3.2 규정에 적합한 사용

기술된 제품은 배터리로 작동되는 로터리 함마 드릴입니다. 본 제품은 콘크리트 및 조적벽돌에서의 함마드릴링, 강재, 목재 및 조적벽돌에서의 드릴링, 볼트를 풀고 조이는 작업에 적합합니다.

- 본 제품에는 모델시리즈 B 22의 Hilti 리튬이온 배터리만 사용하십시오.
- 해당 배터리에는 Hilti에서 승인한 충전기만 사용하십시오. 보다 자세한 정보는 **Hilti Store** 또는 www.hilti.group에서 확인할 수 있습니다.

3.3 리튬 이온 배터리 표시

리튬 이온 배터리 사용 시 충전 상태는 잠금해제 버튼을 눌러 표시할 수 있습니다.

상태	의미
4개 LED가 점등됨.	충전 상태: 75 % ~ 100 %
3개 LED가 점등됨.	충전 상태: 50 % ~ 75 %
2개 LED가 점등됨.	충전 상태: 25 % ~ 50 %
1개 LED 점등됨.	충전 상태: 10 % ~ 25 %
1개 LED 깜박임.	충전 상태: < 10 %

작업을 하는 동안 그리고 작업을 끝낸 바로 직후에는 충전상태를 확인하는 것이 불가능합니다. 배터리 충전상태 표시 LED가 점멸할 경우, "고장진단" 장의 지침에 유의하십시오.

3.4 공급품목

로터리 함마 드릴, 사이드 핸들, 깊이 게이지, 사용설명서.

작업할 때 분진이 발생하지 않도록 먼지제거기 TE DRS-S01 액세서리로 제공됩니다.



해당 제품에 허용되는 기타 시스템 제품은 **Hilti Store** 또는 다음 사이트에서 확인할 수 있습니다.
www.hilti.group

4 기술 지원

4.1 로타리 함마 드릴

	TE 2-A22
정격 전압	21.6V
EPTA Procedure 01에 따른 무게(B22&8.0 배터리 포함)	3.3kg
콘크리트/벽돌 드릴링 범위(함마 드릴링)	4mm ... 16mm
금속 천공 직경 (드릴)	0mm ... 10mm
길이 게이지 최대 길이	180mm

4.2 EN 62841에 따른 소음 정보 및 진동값

이 지침에 제시된 음압 및 진동수준은 표준화된 측정방법에 따라 측정된 것이며, 전동 공구를 서로 비교하기 위한 용도로 사용할 수 있습니다. 음압 및 진동 수준은 노출 정도를 사전에 예측하는 데에도 유용하게 사용할 수 있도록 설계되어 있습니다.

제시된 데이터는 전동 공구의 주된 용도를 나타냅니다. 그러나 전동 공구를 다른 용도로 사용하거나 다른 공구 비트를 사용할 경우 또는 유지보수를 충분히 하지 않은 상태에서는 데이터에 편차가 있을 수 있습니다. 이러한 경우 전 작업시간에 걸쳐 노출이 현저하게 증가할 수 있습니다.

노출을 정확하게 평가하기 위해서는 전동 공구 작동이 멈춰 있거나 또는 작동 중이지만 실제로는 사용하지 않는 시간도 고려해야 합니다. 이러한 경우 전 작업시간에 걸쳐 노출이 현저하게 감소할 수 있습니다.

사용자를 보호하기 위해 음파 그리고/또는 진동이 작용하기 전에 다음과 같은 추가적인 안전 조치를 취하십시오. 전동 공구와 공구 비트의 유지보수, 손을 따뜻하게 유지, 작업순서 정하기 등.

소음 정보

소음 수준 (L_{WA})	103dB(A)
음압 수준 (L_{pA})	92dB(A)
허용공차(임계값) (K_{pA} 및 K_{WA})	3dB(A)

진동 총 값

금속에 드릴링 ($a_{h,D}$)	B 22/2.6 Li-Ion (01)	2.5m/s ²
콘크리트에 함마 드릴링 ($a_{h,HD}$)	B 22/2.6 Li-Ion (01)	12.7m/s ²
허용공차(진동 총 값)		1.5m/s ²

4.3 배터리

배터리 모드 전압	21.6V
작동 시 주변 온도	-17 °C ... 60 °C
보관 온도	-20 °C ... 40 °C
충전 시작 시 배터리 온도	-10 °C ... 45 °C

5 조작

5.1 작업 준비



경고

부상 위험 돌발적인 작동!

- ▶ 배터리를 끼우기 전에 해당 제품의 전원이 꺼져 있는지 확인하십시오.
- ▶ 기기 설정 또는 액세서리를 교체하기 전에 배터리를 제거하십시오.

본 문서 및 제품에 나와 있는 안전 지침 및 경고 지침에 유의하십시오.



5.1.1 측면 손잡이 장착

1. 손잡이를 돌려서 측면 손잡이 홀더(조임 밴드)를 푸십시오.
2. 홀더(조임 밴드)를 앞쪽에서부터 척 아답타 위로 지정된 홈까지 미십시오.
3. 측면 손잡이를 원하는 위치로 설정하십시오.
4. 손잡이를 돌려서 측면 손잡이 홀더(조임 밴드)를 조이십시오.

5.1.2 배터리 삽입

1. 잠기는 소리가 들릴 때까지 배터리를 기기 홀더 안에 끼우십시오.
2. 배터리가 정확하게 설치되어 있는지 점검하십시오.

5.1.3 배터리 제거

1. 배터리의 잠금 해제 버튼을 누르십시오.
2. 배터리를 뒤쪽으로 당겨서 빼십시오.

5.1.4 공구 비트 끼우기

1. 드릴 생크식 기기 비트를 가볍게 기름칠하십시오
 - ▶ Hilti의 순정 그리스만 사용하십시오. 적합하지 않은 그리스를 사용하면 제품이 손상될 수 있습니다.
2. 공구 비트를 스톱위치까지 척 아답타에 끼우고 장착하십시오.
3. 삽입 후 잡아 당겨보면서 제대로 고정되었는지 점검하십시오.
 - ▶ 제품이 작동 가능한 상태입니다.

5.1.5 공구 비트 분리

주의

공구 비트로 인한 부상 위험! 공구 비트가 뜨겁거나 모서리가 날카로울 수 있습니다.

- ▶ 공구 비트 교체 시 보호장갑을 착용하십시오.

- ▶ 공구 잠금장치를 스톱 위치까지 뒤로 당겨 기기 비트를 빼내십시오.

5.1.6 깊이 게이지 장착(선택사양)

1. 손잡이를 돌려서 측면 손잡이 홀더(조임 밴드)를 푸십시오.
2. 깊이 게이지를 앞쪽에서부터 지정된 2개의 가이드 홈 안쪽으로 미십시오.
3. 손잡이를 돌려서 측면 손잡이 홀더(조임 밴드)를 조이십시오.

5.2 작업


주의

올바르지 않은 취급으로 인한 손상 위험!

- ▶ 작동 중에는 회전방향 선택 그리고/또는 기능 선택 스위치를 작동하지 마십시오.

본 문서 및 제품에 나와 있는 안전 지침 및 경고 지침에 유의하십시오.

5.2.1 작업장 조명

 컨트롤 스위치를 조작하면 LED가 자동으로 활성화됩니다. 컨트롤 스위치에서 손을 떼면 LED가 천천히 소등됩니다.

- ▶ 컨트롤 스위치를 누르십시오.

5.2.2 회전 방향

- ▶ 회전 방향을 설정하십시오.
 - ▶ 이 위치에서 스위치가 맞물려 끼워집니다.

5.2.3 햄마링 컷아웃

- ▶ 기능 선택 스위치를  기호에 두십시오.

5.2.4 타격하여 드릴링

- ▶ 기능 선택 스위치를  기호에 두십시오.



6 유지 관리

6.1 관리 및 유지보수

경고

배터리가 끼워진 상태에서 부상 위험!

▶ 관리 및 수리 작업을 진행하기 전에 항상 배터리를 제거하십시오!

제품 관리

- 공구에 부착되어 있는 오염물질을 조심스럽게 제거하십시오.
- 오염물질이 있는 경우, 부드러운 마른 솔로 환기 슬롯을 조심스럽게 청소하십시오.
- 약간 물기가 있는 수건으로만 하우징을 청소해 주십시오. 플라스틱 부품을 손상시킬 수 있으므로 절대로 실리콘이 함유된 보호제를 사용하지 마십시오.
- 제품의 접점을 청소하려면 깨끗하고 마른 천을 사용하십시오.

리튬 이온 배터리 관리

- 환기 슬롯이 막힌 상태에서는 절대 배터리를 사용하지 마십시오. 부드러운 마른 솔로 환기 슬롯을 조심스럽게 청소하십시오.
- 배터리가 불필요하게 먼지 또는 오염물에 노출되지 않도록 하십시오. 배터리를 절대 습도가 높은 곳에 두지 마십시오(예: 물 속에 담거나 비내리는 곳에 두는 행위).
배터리에 물이 들어가면, 손상된 배터리처럼 취급하십시오. 물이 들어간 배터리는 비가연성 용기에서 절연시킨 후, Hilti 서비스 센터에 문의해 주십시오.
- 배터리를 외부 오일 및 그리스가 묻지 않도록 깨끗하게 유지하십시오. 배터리에 불필요하게 먼지 또는 오염물이 쌓이지 않도록 하십시오. 배터리를 부드러운 마른 솔 또는 깨끗하고 마른 걸레로 닦아내십시오. 플라스틱 부품을 손상시킬 수 있으므로 절대로 실리콘이 함유된 보호제를 사용하지 마십시오.
배터리의 접점에 접촉하지 말고, 접점에서 공기축에 부착된 그리스를 제거하지 마십시오.
- 약간 물기가 있는 수건으로만 하우징을 청소해 주십시오. 플라스틱 부품을 손상시킬 수 있으므로 절대로 실리콘이 함유된 보호제를 사용하지 마십시오.

유지보수

- 눈에 보이는 모든 부품은 정기적으로 손상 여부를 점검하고, 조작성소가 문제 없이 작동하는지 점검하십시오.
- 손상되었거나 기능 장애가 있는 경우에는 제품을 작동하지 마십시오. 즉시 Hilti 서비스 센터에 제품 수리를 의뢰하십시오.
- 관리 및 수리 작업 후 모든 보호장치를 가져와 기능에 이상이 없는지 점검하십시오.



안전하게 작동하기 위해서는 순정품 예비 부품 및 소모품만 사용하십시오. Hilti에서 승인한 예비 부품, 소모품 및 액세서리는 Hilti Store 또는 www.hilti.group에서 확인할 수 있습니다.

6.2 더스트 캡 청소

- ▶ 깨끗한 마른 걸레를 이용하여, 척 아답타의 더스트 캡을 정기적으로 청소하십시오.
- ▶ 씰링 립을 조심스럽게 깨끗하게 닦아낸 다음, Hilti 그리스를 다시 약간 바르십시오.
- ▶ 씰링 립이 손상되었을 경우, 반드시 더스트 캡을 교환하십시오.

7 운반 및 보관

7.1 충전식 공구 및 배터리 운반 및 보관

운반

주의

운반 시 돌발적으로 작동됨!

- ▶ 제품은 항상 배터리를 장착하지 않은 상태로 운반하십시오!
- ▶ 배터리를 분리하십시오.
- ▶ 배터리를 고정하지 않은 채로 운반해서는 절대 안 됩니다. 운반하는 도중 배터리에 과도한 충격을 받거나 진동이 발생하지 않게 하고 모든 전도성 소재 또는 다른 배터리로부터 분리시켜 다른 배터리 전극에 닿지 않고 단락이 발생하지 않게 하십시오. 배터리와 관련된 현지 운반 규정에 유의하십시오.
- ▶ 배터리는 우편을 통해 전달할 수 없습니다. 손상이 없는 배터리를 전송하고자 하는 경우 배송업체에 문의하십시오.
- ▶ 제품 및 배터리를 사용하기 전에 그리고 장시간 운반한 후에는 항상 손상 여부를 점검하십시오.



보관

경고

배터리 결합 또는 방전으로 인한 돌발적인 손상!

- ▶ 제품은 항상 배터리를 장착하지 않은 상태로 보관하십시오!
- ▶ 제품 및 배터리를 냉각 및 건조시켜 보관하십시오. 기술자료에 제시된 허용 온도 한계값에 유의하십시오.
- ▶ 배터리를 충전기에 보관하지 마십시오. 충전 후에는 항상 배터리를 충전기에서 분리하십시오.
- ▶ 배터리는 절대 직사광선이 들어오는 곳, 열원 위 또는 유리 뒤쪽에 보관하지 마십시오.
- ▶ 제품 및 배터리는 건조한 상태로 어린이나 외부인의 손이 닿지 않는 곳에 보관하십시오.
- ▶ 제품 및 배터리를 사용하기 전에 그리고 장시간 보관한 후에는 항상 손상 여부를 점검하십시오.

8 고장진단

8.1 문제 발생 시 도움말

본 도표에 제시되어 있지 않거나 스스로 해결할 수 없는 문제가 발생한 경우 Hilti 서비스 센터에 문의해 주십시오.

8.2 로타리 함마 드릴이 작동되지 않습니다.

장애	예상되는 원인	해결책
로터리 함마 드릴이 작동되지 않습니다.	로타리 함마 드릴 과부하.	▶ 로타리 함마 드릴의 전원을 끄고, 배터리를 제거한 후 더 이상 로타리 함마 드릴을 사용하지 마십시오.
LED가 아무것도 나타내지 않습니다.	배터리가 완전하게 삽입되지 않음.	▶ 이중으로 찰칵하는 소리가 들릴 때까지 배터리를 맞물려 고정시키십시오.
	배터리를 방전시키십시오.	▶ 배터리를 교체하고 방전된 배터리를 충전하십시오.
	배터리 과열 또는 과냉 상태.	▶ 배터리를 권장된 작동온도 상태로 유지합니다.
1 개 LED 깜박입니다.	배터리를 방전시키십시오.	▶ 배터리를 교체하고 방전된 배터리를 충전하십시오.
	배터리 과열 또는 과냉 상태.	▶ 배터리를 권장된 작동온도 상태로 유지합니다.
4개 LED가 깜박입니다.	로타리 함마 드릴 잠금 동안 과부하.	▶ 컨트롤 스위치에서 손을 떼고 스위치를 다시 조작하십시오.
	과열방지장치.	▶ 로타리 함마 드릴을 냉각시키고 환기 슬롯을 청소하십시오.

8.3 로타리 함마 드릴이 작동됩니다.

장애	예상되는 원인	해결책
타격이 되지 않음.	로타리 함마 드릴 과냉 상태.	▶ 로터리 함마 드릴을 바닥에 두고 공회전 상태로 작동시키십시오. 필요한 경우 함마링 장치가 작동될 때까지 과정을 반복하십시오.
	"함마링 컷아웃"에 놓인 기능 선택 스위치	▶ 기능 선택 스위치를 "함마드릴링" 위치에 두십시오
컨트롤 스위치를 누를 수가 없거나 또는 블로킹됨.	정회전/역회전 스위치가 중간위치에 있음.	▶ 정회전/역회전 스위치를 좌측 또는 우측으로 누르십시오.
기기 스피들이 회전하지 않음.	로타리 함마 드릴 일렉트로닉의 허용되는 작동 온도를 초과함.	▶ 로타리 함마 드릴을 냉각시키십시오.
	배터리를 방전시키십시오.	▶ 배터리를 교체하고 방전된 배터리를 충전하십시오.



장애	예상되는 원인	해결책
로타리 함마 드릴이 자동으로 꺼지지 않음.	과부하 방지 기능 작동됨.	▶ 컨트롤 스위치에서 손을 떼십시오. 로타리 함마 드릴을 냉각시키십시오. 컨트롤 스위치를 조작하십시오. 기기 부하를 줄이십시오.
배터리가 평소보다 빨리 방전됨.	배터리 상태가 최적이 아님.	▶ 배터리를 교체하십시오.
배터리를 밀어 넣을 때 "이중으로 찰카하는 소리"가 들리지 않음.	배터리 래치 오염됨.	▶ 배터리 래치를 청소하고 배터리를 다시 끼우십시오.
로타리 함마 드릴 또는 배터리에서 과도한 열 발생.	전기적 결함	▶ 로타리 함마 드릴의 전원을 끄십시오. 배터리를 제거한 후 배터리를 관찰하십시오. 배터리를 냉각시키십시오. Hilti 서비스센터에 문의하십시오.
	로타리 함마 드릴 과부하(사용 한계 초과).	▶ 용도에 적합한 기기를 선택하십시오.
드릴 비트가 잠금상태에서 풀리지 않음.	척 아답타를 완전히 뒤로 당기지 않았음.	▶ 공구 잠금장치를 스톱 위치까지 뒤로 당겨 공구를 빼내십시오.
드릴 비트 작업이 진행되지 않음.	로타리 함마 드릴을 역회전 위치로 전환하십시오.	▶ 정회전/역회전 스위치를 '정회전' 위치로 전환하십시오.

9 폐기

Hilti 기기는 대부분 재사용이 가능한 소재로 제작되었습니다. 재활용을 위해 개별 부품을 분리하여 주십시오. Hilti는 대부분의 국가에서 재활용을 위해 노후기기를 수거해 갑니다. Hilti 고객 서비스센터 또는 판매 상담자에게 문의하십시오.



- ▶ 전동 공구, 전자식 기기 및 배터리를 일반 가정 쓰레기로 폐기하지 마십시오!

10 제조회사 보증

- ▶ 보증 조건에 관한 질문사항은 현지 Hilti 파트너사에 문의하십시오.

原始操作說明

1 關於操作說明的資訊

1.1 關於此文件

- 初次使用前，請詳讀本操作說明。這是安全作業和使用無虞的先決條件。
- 請遵守本操作說明中與產品上的安全說明和警告。
- 操作說明應與產品一起保管，產品交予他人時務必連同本操作說明一併轉交。

僅適用於台灣

進口商: 喜利得股份有限公司

地址: 新北市板橋區

新站路16號24樓22041

電話: 0800-221-036

1.2 已使用的符號解釋

1.2.1 警告

警告您在操作或使用本產品時可能發生之危險。採用了以下標示文字：



⚠ 危險

危險！

- ▶ 此標語警示會發生對人造成嚴重傷害甚至致死的危險情形。

⚠ 警告

警告！

- ▶ 此標語警示會造成嚴重傷害甚至致死危險的潛在威脅。

⚠ 注意

注意！

- ▶ 請小心會造成人員受傷或對設備及其他財產造成損害的潛在危險情況。

1.2.2 操作說明中的符號

本操作說明中採用以下符號：

	請遵照操作說明
	使用說明與其他資訊
	處理可回收的材料
	不可將電子設備與電池當作家庭廢棄物處置
	Hilti 鋰電池
	Hilti 充電器

1.2.3 圖解中的符號

圖解中採用了以下符號：

	號碼對應操作說明的開始處的圖解。
	圖解中的編號表示重要的工作步驟或對工作步驟重要的元件。在文字中，這些工作步驟或元件以對應的數字明顯顯示，例如 (3) 。
	概覽圖解中使用位置編號，方便您對應到 產品概覽 段落中的圖例編號。
	本符號是為了讓您在操作本產品時可以注意某些重點。

1.3 產品專屬符號

1.3.1 產品上的符號

產品上會採用下列符號：

	鑽孔時無鎚擊動作
	以鎚擊動作進行鑽孔（鎚擊鑽孔）
	正轉 / 逆轉
n_0	無負載下的額定速率
/min	每分轉數
	直流電（DC）
Li-Ion	鋰電池
	使用Hilti鋰電池類型系列。請遵守 用途 一節所提供之資訊。



	請勿將電池使用作為敲擊工具。
	避免電池掉落。不得使用遭受衝擊或其他原因遭成損壞的電池。
	機具支援近距離無線通訊 (NFC) 技術，其相容於iOS及Android平台。

1.4 產品資訊

產品是針對專業使用者設計，故僅經訓練、認可的人員可操作、維修與維護本產品。必須告知上述人員關於可能遭遇到的特殊危險。若因未經訓練人員操作錯誤或未依照其原本的用途操作，則本產品和它的輔助工具設備有可能會發生危險。類型名稱和序號都標示於額定銘牌上。

▶ 在下方表格中填入序號。與Hilti維修中心或當地Hilti機關聯絡查詢產品相關事宜時，我們需要您提供產品詳細資訊。

產品資訊

機具型號：	TE 2-A22
產品代別：	02
機具序號：	

1.5 符合聲明

基於我們唯一的責任，本公司在此聲明本產品符合適用的指示或標準。本文件結尾處有符合聲明之副本。技術文件已歸檔並存放在：

Hilti Entwicklungsgesellschaft mbH | Tool Certification | Hiltistraße 6 | 86916 Kaufering, DE

2 安全性

2.1 一般電動機具安全警告

⚠ 警告 請詳閱本電動機具提供的所有安全警告、指示、圖解和說明。未能遵守以下所有指示可能會造成電擊事故、火災和/或嚴重的傷害。

妥善保存所有警示及說明，以供將來參考。

注意事項中的「機具」係指使用電源（有線）或電池（無線）的電動機具。

工作區域安全

- ▶ 請保持工作區的清潔與採光充足。雜亂而昏暗的工作區會導致意外發生。
- ▶ 勿在容易發生爆炸的環境中使用機具，例如有可燃性液體、瓦斯或粉塵存在的環境。機具產生的火花可能會引燃塵埃或煙霧。
- ▶ 操作機具時，請與兒童及旁人保持距離。注意力不集中時容易發生失控的情形。

電力安全

- ▶ 機具插頭與插座須能互相搭配。勿以任何方式改裝插頭。勿將任何變壓器插頭與與地面接觸（接地）的電動機具搭配使用。未經改裝的插頭以及能互相搭配的插座可減少發生電擊的危險。
- ▶ 避免讓身體接觸到如管線、散熱器、爐灶與冰箱等與土地或地表接觸之物品。如果您的身體接觸到地表或地面，將增加電擊的危險。
- ▶ 請勿將機具曝露在下雨或潮濕的環境中。若水氣進入機具中將增加觸電的危險。
- ▶ 勿濫用電纜線。勿以電纜線吊掛、拖拉機具或拔下機具插頭。電纜線應避開熱氣、油、銳利的邊緣或移動性零件。電纜線損壞或纏繞會增加發生電擊事故的危險。
- ▶ 於室外操作機具時，須使用適用於戶外的延長線。使用適合戶外使用的延長線可降低觸電的風險。
- ▶ 如果無法避免在潮濕的地點操作機具，請使用漏電斷路器 (RCD) 保護電源供應器。使用漏電斷路器 (RCD) 可降低電擊的風險。

人員安全

- ▶ 操作機具時，請提高警覺，注意進行中的工作並善用常識。感到疲勞或受到藥物、酒精或治療的影響時勿使用機具。操作機具時稍不留神就可能造成嚴重的人員傷亡。
- ▶ 穿戴個人防護裝備。請隨時穿戴眼罩。適當使用防塵面罩、防滑鞋、安全帽及耳罩等安全防護配備可減少人員的傷害。
- ▶ 避免不經意的啟動。在接上電源或電池組、抬起或攜帶機具之前，務必確認開關處於關閉的位置。攜帶機具時，如果把手指放在開關上，或在開關開啟時，將機具插上插頭容易發生意外。



- ▶ 啟動機具前，應將所有調整鑰匙或扳手移開。將扳手或鑰匙留在機具的旋轉零件中可能會造成人員傷害。
- ▶ 勿將手伸出過遠。隨時站穩並維持平衡。這可讓您在意外情況發生時，對機具有較好的控制。
- ▶ 穿著適當服裝。請勿穿著寬鬆的衣服或佩戴珠寶。頭髮、衣服與手套應遠離移動性零件。移動性零件可能會夾到寬鬆的衣服、珠寶或長髮。
- ▶ 如果機具可連接吸塵裝置與集塵設備，請連接並適當使用這些設備。使用集塵裝置可降低與粉塵有關的危險。
- ▶ 請勿因頻繁而習慣使用機具便疏於遵守或忽略機具的安全規範。草率使用可能在轉眼間便造成嚴重的傷害。

機具使用與保養

- ▶ 不可強制使用機具。依據用途使用正確的機具。根據設計的速率使用機具可更快速安全地完成工作。
- ▶ 若開關無法啟動或關閉電動工具時，請勿使用電動工具。任何無法以開關控制的機具都很危險且需要維修。
- ▶ 在進行任何調整、更換配件、或貯放電動機具前，請先將插頭拔離插座和 / 或將電池組自電動機具卸下（如可拆卸）。此預防安全措施可降低機具意外啟動的風險。
- ▶ 將閒置的機具貯放在兒童拿不到的地方，勿讓不熟悉或未詳閱本說明的人員操作本機具。機具在未經訓練的使用者手中是很危險的。
- ▶ 維護機具與配件。請檢查移動性零件有無偏移或黏合的情形、零件有無破損，以及任何會影響機具運轉的狀況。如果機具受損，請先維修後再使用。很多意外便是由維護不當的機具造成的。
- ▶ 保持切割機具的銳利與清潔。具銳利切割邊緣的切割機具如果得到適當的維護，便較不會發生黏合的現象，且較容易控制。
- ▶ 遵守本指示說明使用機具、配件和工具組等，並考量工作條件與待進行的工作。將機具用在原目的之外之用途可能會造成危險。
- ▶ 保持握把與其表面的乾燥、清潔且不要讓上面出現油漬。握把及其表面濕滑會在意外情況中造成機具無法安全掌控。

電池機具的使用與保養

- ▶ 務必使用原廠指定的充電器進行充電。將適合特定類型電池的充電器使用在其他電池時，會有造成火災的危險。
- ▶ 務必使用機具特別指定的電池匣。使用其他的電池匣可能會造成受傷或火災。
- ▶ 電池匣未使用時，請將其遠離迴紋針、錢幣、鑰匙、針、固定釘或其他會在電池兩極間形成連結的小型金屬物件。在電池兩極間建立短路可能會造成灼傷或火災。
- ▶ 若使用不當，可能會有液體由電池流出；請避免接觸該液體。若不慎接觸，請以清水沖洗。如果不小心讓液體接觸到眼睛，請立即尋求醫療援助。從電池中滲出的液體，可能會導致過敏或灼傷。
- ▶ 請勿使用損壞或改裝過的電池組或機具。受損或改裝過的電池可能會無法正常運作而造成起火、爆炸或受傷的風險。
- ▶ 請勿將電池組或機具曝露在火源或極端的溫度環境中。曝露在火源或溫度超過130°C (265°F) 的環境下可能會造成爆炸。
- ▶ 請遵守充電操作說明且不要在說明所載的溫度範圍之外為電池組或機具充電。不當充電或在指定溫度範圍外充電均可能造成電池損壞並提高起火的風險。

維修服務

- ▶ 請將機具交給合格的維修人員進行維修，並使用相同的替代零件。這可確保維護機具安全。
- ▶ 請勿自行維修損壞的電池。損壞的電池僅可由製造商或授權的維修商進行維修。

2.2 電錘的安全注意事項

各種工作的安全操作說明

- ▶ 請配戴耳罩。暴露於噪音環境下會導致聽力受損。
- ▶ 請使用機具輔助握把。機具失控可能會導致人員受傷。
- ▶ 在執行配件工具可能會接觸到隱藏線路之工作時，請以握住絕緣握把的方式手持機具。若配件工具與帶電線路接觸，機具的金屬零件也會通電，而造成觸電的情況。

使用長鑽頭的安全操作說明

- ▶ 請務必讓鑽頭在接觸工件的狀態下以低速開始鑽孔。在未與工件接觸的情況下，若鑽頭以高於其最大允許轉速的速度旋轉，可能會發生輕微的曲度，這可能會導致人員受傷。
- ▶ 請勿對鑽頭施加過大的壓力，僅能沿著鑽頭的縱向軸施加壓力。鑽頭可能會彎曲並隨後破裂或導致失控，進而造成人員傷害。

2.3 旋轉鎚的其他安全說明

人員安全

- ▶ 僅在本產品和配件能正常運轉時使用。



- ▶ 勿嘗試以任何方式改裝產品或配件。
- ▶ 請使用本產品隨附的輔助握把。機具失控可能會導致人員受傷。
- ▶ 若工作包含鑿穿作業，請於工件另一面一併採取適當的防護措施。鑿穿的碎片會掉落和 / 或造成他人受傷。
- ▶ 以雙手握持機具本身握把。請保持機具握把清潔和乾燥。
- ▶ 在執行行配件工具可能會接觸到隱藏線路之工作時，請以握住絕緣握把的方式手持本產品。若配件工具與帶電線路接觸，機具的金屬零件也會通電，而造成觸電的情況。
- ▶ 不可碰觸旋轉中零件 – 有受傷的危險！
- ▶ 使用本產品時請配戴護目鏡、安全帽、耳罩和合適的防護面罩。
- ▶ 更換配件工具時，請穿戴防護手套。觸摸配件工具會造成割傷或灼傷。
- ▶ 穿戴護目鏡。飛散的碎片會傷到人體或眼睛。
- ▶ 研磨、切割和鑽孔時產生的粉塵可能含有危險的化學物質。例如：鉛或以鉛為基底的顏料；磚塊、混凝土和其他建材產品、天然石材和其他含矽酸鹽的產品；橡木、山毛櫸等特定木材以及化學處理的木材；石棉或含有石棉的物質。根據操作員工作時接觸的物質危險等級來決定操作員和其他人員暴露在該環境的程度。採取必要的措施，以將暴露相關條件維持在安全等級上，例如：使用吸塵系統或配戴合適的防護面罩。降低在該環境下的暴露程度的一般措施包括：
 - ▶ 工作區域保持良好通風
 - ▶ 避免長時間接觸粉塵
 - ▶ 清除臉部和身體上的粉塵
 - ▶ 穿著防護衣，用水和肥皂清洗裸露在外的身體部位
- ▶ 請經常休息，並活動您的手指以促進血液循環。長時間暴露在劇烈震動下會造成手指、手掌和手腕的血管或神經系統失調。

電力安全

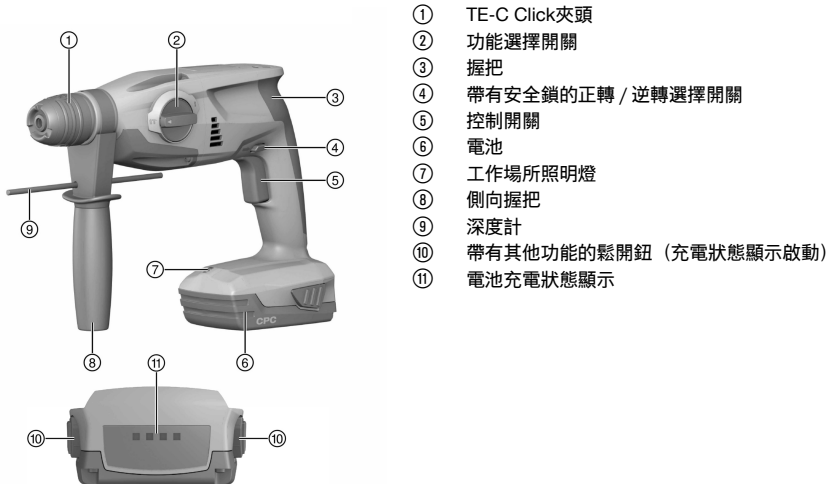
- ▶ 開始工作前，請先檢查工作區域是否有隱藏的電纜線、瓦斯管或水管。電線、天然氣管線或水管若損壞，本產品外側上的金屬零件可能導致觸電或爆炸。

小心處理與使用電子機具

- ▶ 若配件工具卡住或空轉，請關閉本產品。本產品可能會無法控制並偏向一側。
- ▶ 請等候本產品完全靜止再將其放下。

3 說明

3.1 產品總覽 1



- ① TE-C Click夾頭
- ② 功能選擇開關
- ③ 握把
- ④ 帶有安全鎖的正轉 / 逆轉選擇開關
- ⑤ 控制開關
- ⑥ 電池
- ⑦ 工作場所照明燈
- ⑧ 側向握把
- ⑨ 深度計
- ⑩ 帶有其他功能的鬆開鈕（充電狀態顯示啟動）
- ⑪ 電池充電狀態顯示

3.2 用途

本產品為電池動力旋轉鉗。適用於鋼板、木材、水泥牆鑽孔和混凝土牆鉗鑽孔，以及裝卸螺絲。

- 本產品限使用B 22系列Hilti鋰電池。



- 僅可使用經Hilti認可的電池充電器為電池充電。可從Hilti Store或www.hilti.group取得更多資訊。

3.3 鋰電池電量顯示

當使用鋰電池時，輕觸一下電池拆卸鈕會顯示其充電狀態。

狀態	意義
4個LED亮起。	充電狀態：75 %至100 %
3個LED亮起。	充電狀態：50 %至75 %
2個LED亮起。	充電狀態：25 %至50 %
1個LED亮起。	充電狀態：10 %至25 %
1個LED閃爍。	充電狀態：< 10 %

當機具正在操作或剛操作後無法讀取其電池充電狀態。若電池充電狀態LED燈閃爍，請參閱故障排除一節所提供的資訊。

3.4 配備及數量

旋轉鎚、側向握把、深度計、操作說明。

TE DRS-S除塵設備組可大幅減少粉塵量，為可搭配使用的配件。

關於本產品，您可於當地Hilti Store或網站查詢其他經過認證可搭配使用的系統產品：www.hilti.group

4 技術資料

4.1 旋轉鎚

	TE 2-A22
額定電壓	21.6 V
重量 (依據EPTA Procedure 01) , 含B228.0電池	3.3 kg
混凝土 / 石材鑽孔直徑範圍 (鎚擊鑽孔)	4 mm ... 16 mm
鑽孔直徑範圍 - 金屬 (實心鑽頭)	0 mm ... 10 mm
深度計的最大長度	180 mm

4.2 噪音資訊和震動值 (依據EN 62841)

操作說明中所提供之音壓和震動值已參照標準測量，並可用來比較不同機具之噪音。它們也可作為噪音量的初步評估。

提供之資料表示機具主要應用時之數值。若機具應用於不同之用途，搭配不同的配件工具或在保養不良的情況下，其數據會有所不同。在作業過程中，這會大幅提高其噪音量。

當電子機具關閉，或開啟但未進行任何作業時也應列入考量，才能準確評估噪音量。在作業過程中，這會大幅降低其噪音量。

確認其他安全措施，以保護操作員不受噪音和 / 或震動影響，例如：保養機具與其配件工具、操作前保持雙手溫暖、作業型式之安排等。

噪音資訊

聲功率級數 (L_{WA})	103 dB(A)
釋放的音壓級數 (L_{pA})	92 dB(A)
無法判定 (聲音值) (K_{pA} 和 K_{WA})	3 dB(A)

總振動值

金屬鑽孔 ($a_{h, D}$)	B 22/2.6 Li-Ion (01)	2.5 m/s ²
混凝土鎚擊鑽孔 ($a_{h, HD}$)	B 22/2.6 Li-Ion (01)	12.7 m/s ²
不確定值 (總振動值)		1.5 m/s ²



4.3 電池

電池操作電壓	21.6 V
操作時的環境溫度	-17 °C ... 60 °C
貯放溫度	-20 °C ... 40 °C
電池充電啟動溫度	-10 °C ... 45 °C

5 操作

5.1 工作場所的準備工作

警告

有受傷的風險！因意外啟動

- ▶ 置入電池前，請確認產品已關閉。
- ▶ 在調整機具或變更配件前請先將電池拆下。

請遵守本文件中與產品上的安全說明和警告。

5.1.1 安裝側向握把

1. 旋轉握把以鬆開側向握把夾緊帶。
2. 將側向握把夾緊帶由前方繞過夾頭，然後推入提供的凹槽中。
3. 將側向握把轉至需要的位置。
4. 旋轉握把以鎖緊側向握把夾緊帶。

5.1.2 置入電池

1. 將電池從後方推入機具的電池介面中，直到聽見咬合聲為止。
2. 請檢查電池是否安裝牢固。

5.1.3 卸下電池

1. 按下電池上的兩顆拆卸鈕。
2. 將電池向後方取出。

5.1.4 安裝配件工具

1. 在配件工具的連接頭添加少量的潤滑劑。
 - ▶ 限使用Hilti提供的建議潤滑劑。使用錯誤的潤滑劑會造成機具損壞。
2. 盡可能將配件推入夾具內，直到咬合為止。
3. 裝上配件工具後，請將其抓住並拉動以確認是否已咬合至定位。
 - ▶ 產品已可以使用。

5.1.5 卸下配件

注意

配件工具造成受傷的危險！配件工具可能會非常燙或是有尖銳的邊緣。

- ▶ 請在更換配件工具時戴上防護手套。
- ▶ 將夾頭環拉回直到卸下配件工具為止。

5.1.6 安裝深度計（選配）

1. 旋轉握把以鬆開側向握把夾緊帶。
2. 將深度計從前方推入的提供的兩個定位引導孔內。
3. 旋轉握把以鎖緊側向握把夾緊帶。

5.2 工作類型

注意

操作錯誤會有導致 損壞的危險！

- ▶ 操作時，請勿使用旋轉方向和 / 或功能選擇開關。



請遵守本文中與產品上的安全說明和警告。

5.2.1 確實照明工作場所




按下控制開關之後LED會自動啟用。鬆開控制開關後，LED會慢慢熄滅。

- ▶ 按下控制開關。


5.2.2 旋轉方向

- ▶ 設定旋轉方向。
 - ▶ 選擇開關會咬合在這個位置。

5.2.3 無鎚擊鑽孔

- ▶ 將功能選擇開關設定至本符號：

5.2.4 鎚擊鑽孔

- ▶ 將功能選擇開關設定至本符號：

6 維護和保養

6.1 維護及保養



警告

電池裝入時有受傷的危險！

- ▶ 進行維護及保養前，請務必卸下電池！

產品保養

- 小心地清除頑強的髒污。
- 若有，請使用乾燥的軟刷子小心地清潔通風口。
- 僅可使用微濕的軟布清潔機殼。請勿使用含矽膠的清潔或亮光劑，因為可能會造成塑膠零件損壞。
- 請使用乾淨的乾布清潔產品的接點。

鋰電池的保養

- 通風口堵塞時請勿使用電池。請使用乾燥的軟刷子小心地清潔通風口。
- 請避免電池暴露在粉塵或髒污的環境之中。請勿讓電池接觸過高的濕氣（例如：浸入水中或淋雨）。電池若濕透，請將該電池視為已受損。請將電池隔絕在不可燃的容器內，並洽詢Hilti維修中心。
- 避免電池沾上油脂。避免讓電池上積聚粉塵或髒污。請使用乾燥的軟刷或乾淨的乾布清潔電池。請勿使用含矽膠的清潔或亮光劑，因為可能會造成塑膠零件損壞。請勿觸摸電池的觸點或從觸點上去除出廠塗敷的油脂
- 僅可使用微濕的軟布清潔機殼。請勿使用含矽膠的清潔或亮光劑，因為可能會造成塑膠零件損壞。

維護

- 定期檢查外部零件和控制元件有無損壞跡象，並確認它們運作正常。
- 如果有損壞跡象及/或任何零件功能故障，請不要運行本產品。請將產品交付Hilti維修中心進行維修。
- 維護及修復作業後，裝上所有保護裝置並檢查功能是否正常。



為確保運作的安全及可靠性，請務必使用原廠Hilti備件與耗材。您可以在Hilti Store或在以下網站選購Hilti認可的備用零件、耗材和配件：www.hilti.group

6.2 清潔防塵套

- ▶ 定期使用乾燥而清潔的布清潔夾頭上的防塵套。
- ▶ 請小心擦拭清潔其密封口，然後再稍微上Hilti潤滑油。
- ▶ 請特別注意，若密封口受到損壞，一定要更換防塵套。



7 搬運和貯放

7.1 充電式機具和電池的運輸與存放

搬運

注意

搬運時意外啟動！

- ▶ 搬運產品時務必卸下電池！
- ▶ 取出電池。
- ▶ 切勿散裝運輸電池。運送過程中，應保護電池避免衝擊與震動並與導電物質或其他電池隔離，以免因與電池端子接觸而造成短路。請遵守您所在地當地的電池運輸規範。
- ▶ 請勿以郵寄方式遞送電池。若要運送未損壞之電池，請洽詢運送服務商。
- ▶ 每次使用前以及長途運輸前後請檢查本產品和電池是否受損。

設備的貯放

警告

瑕疵或漏液的電池所造成的意外損害！

- ▶ 存放產品時，一律不可插入電池！
- ▶ 請將本產品和電池存放在陰涼及乾燥處。請遵守技術性數據中所規定的溫度極限值。
- ▶ 請勿將電池貯放在充電器中。完成充電程序後，請將電池從充電器取出。
- ▶ 請勿將電池存放在有日光直射處、熱源上或玻璃後方。
- ▶ 請將本產品和電池存放在兒童或未授權人員無法觸及的地點。
- ▶ 每次使用前以及長時間存放前後請檢查本產品和電池是否受損。

8 故障排除

8.1 故障排除

若您遇到未列出的問題或是無法自行排除的問題，請聯絡Hilti維修中心。

8.2 旋轉鎚不能正常運作

故障	可能原因	解決方法
旋轉鎚未啟動。	旋轉鎚已過載。	▶ 關閉旋轉鎚、卸下電池且不要繼續使用本旋轉鎚。
LED無顯示。	電池沒有完全置入。	▶ 壓下電池直到聽見咬合時發出的兩聲喀啦聲。
	電池已放電。	▶ 更換電池，並對無電量的電池再次充電。
	該電池過熱或過冷。	▶ 將電池置於建議操作溫度環境內。
1個LED閃爍。	電池已放電。	▶ 更換電池，並對無電量的電池再次充電。
	該電池過熱或過冷。	▶ 將電池置於建議操作溫度環境內。
4個LED閃爍。	旋轉鎚已暫時過載。	▶ 鬆開控制開關，接著再按一次。
	過熱防護斷電系統已啟動。	▶ 讓旋轉鎚冷卻並清潔通風口。

8.3 旋轉鎚能正常運作

故障	可能原因	解決方法
無鎚鑽作業。	旋轉鎚溫度太低。	▶ 讓鑽頭尖端與工作面接觸，開啟旋轉鎚使之旋轉。如果需要，請重複此程序直到鎚擊機制開始運作。
	將功能選擇開關設定至「無鎚擊鑽孔」	▶ 將功能選擇開關設定至「鎚擊鑽孔」



故障	可能原因	解決方法
控制開關無法按下，意即開關鎖住。	正轉 / 逆轉開關位於中間位置。	▶ 將正轉 / 逆轉開關推向右邊或左邊。
起子軸未旋轉。	已超過旋轉鏈容許之操作溫度。	▶ 讓旋轉鏈冷卻。
	電池已放電。	▶ 更換電池，並對無電量的電池再次充電。
旋轉鏈自動關閉。	過載斷電保護系統已啟動。	▶ 鬆開控制開關。讓旋轉鏈冷卻。再次按下控制開關。減少機具上的負載。
本電池較一般電池壽命短。	電池電力非處於最佳狀態。	▶ 更換電池。
電池咬合時沒有發出兩聲「喀啦」聲。	電池上的卡榫太髒。	▶ 清潔卡榫並重新安裝電池。
旋轉鏈或電池溫度極高。	電力故障	▶ 立刻關閉旋轉鏈。請取下電池並置於可隨時觀察的位置。待其冷卻後。聯絡Hilti維修中心。
	旋轉鏈已過載（超過使用極限）。	▶ 選擇適用的機具。
彈圈夾具無法鬆開。	夾頭未完全拉回。	▶ 將夾頭拉回直到移除機具為止。
機具無法繼續作業。	旋轉鏈已設定成反轉。	▶ 將正轉 / 逆轉選擇開關移至「正轉」位置。

9 廢棄設備處置

Hilti機具或設備所採用的材料大部分均可回收再利用。材料在回收前必須正確地分類。在許多國家中，您可以將舊機具及設備送回Hilti進行回收。詳情請洽Hilti維修中心，或當地Hilti代理商。



- ▶ 不可將電動工具、電動裝置和電池當成一般垃圾丟棄！

10 製造商保固

- ▶ 如果您對於保固條件有任何問題，請聯絡當地Hilti代理商。

Hilti Taiwan Co., Ltd.

24F., No. 16, Xinzhan Rd., Banqiao Dist., New Taipei City 220, Taiwan (R.O.C.)

Tel. 0800-221-036

原版操作说明

1 关于本操作说明的信息

1.1 关于本操作说明

- 首次使用或操作产品前，先阅读本操作说明。这是安全、无故障操作和使用产品的先决条件。
- 请注意本操作说明中以及产品上的安全说明和警告。
- 请务必将本操作说明与本产品保存在一起，确保将操作说明随产品一起交给他人。

1.2 所用标志的说明

1.2.1 警告

警告是为了提醒您在处理或使用此产品时会发生的危险。使用以下信号词：



危险！

- ▶ 用于让人们能够注意到会导致严重身体伤害或致命的迫近危险。



-警告-

警告！

▶ 用于提醒人们注意可能导致严重或致命伤害的潜在危险。

-小心-

小心！

▶ 用于提醒人们注意可能造成人身伤害、设备损坏或其他财产损失的潜在危险情况。

1.2.2 操作说明中的符号

本操作说明中使用下列符号：

	遵守操作说明
	使用说明和其他有用信息
	处理可回收材料
	不得将电气设备和电池作为生活垃圾处置
	Hilti 锂离子电池
	Hilti 充电器

1.2.3 图示中的符号

图示中使用了下列符号：

	这些编号指本操作说明开始处的相应图示。
	图示中的编号表示重要的操作步骤或对操作步骤重要的部件。这些操作步骤或部件在文本中使用相应的编号突出显示，例如 (3)。
	位置编号被用于概览图中并表示产品概览段落中的图例编号。
	这些符号旨在提醒您在操作本产品时要特别注意的某些要点。

1.3 与产品相关的符号

1.3.1 产品使用的符号

产品使用的符号如下：

	不通过锤击作用钻孔
	通过锤击作用钻孔 (锤击钻孔)
	正向/反向
n_0	无负荷下的额定转速
/min	每分钟转数
	直流电 (DC)
Li-Ion	锂离子电池
	使用 Hilti 锂离子电池类型系列。请遵守“预期用途”一章中所述信息。
	切勿将电池用作敲击工具。
	请勿让电池掉落。切勿使用受到撞击或有任何损坏的电池。





电动工具支持近场通信 (NFC) 技术, 兼容于 iOS 和安卓平台。

1.4 产品信息

HILTI 产品设计适用于专业用户, 只有经过专门训练的授权人员才允许操作、维修和维护本产品。必须将任何可能的危险专门告知该人员。不按照既定用途使用或由未经培训的人员不正确地使用本产品及其辅助设备可能会带来危险。

型号名称和序列号印在铭牌上。

- ▶ 在下表中填写序列号。在联系 Hilti 维修中心或当地 Hilti 机构询问产品时, 将要求您提供产品的详细信息。
产品信息

型号:	TE 2-A22
分代号:	02
序列号:	

1.5 符合性声明

按照我们单方面的责任, 我们声明本产品符合下列适用指令和标准: 一致性声明副本位于本文档结尾处。

技术文档的存档和存放位置为:

Hilti Entwicklungsgesellschaft mbH | Tool Certification | Hiltistraße 6 | 86916 Kaufering, DE

2 安全

2.1 一般电动工具安全警告

⚠ 警告 请阅读本电动工具随附的所有安全警告、说明、图示和技术规范。不遵守下列所有操作说明可能会导致电击、火灾和/或严重人身伤害。

请保存所有安全警告和操作说明, 以供将来参考。

在所有下列的警告中术语“电动工具”指市电驱动(有线)电动工具或电池驱动(无线)电动工具。

工作区域安全

- ▶ 保持工作区域清洁和良好照明。杂乱和黑暗的区域容易导致事故。
- ▶ 不要在爆炸性环境中操作电动工具, 例如有易燃液体、气体或灰尘。电动工具会产生可以点燃这些灰尘或烟雾的火花。
- ▶ 在操作电动工具时, 要令儿童和旁观者远离工作现场。万一分心, 可能会使您失去对电动工具的控制。

电气安全

- ▶ 电动工具(设备)插头必须匹配电源插座。切勿以任何方式改动插头。对于接地的电动工具(设备), 不要使用任何适配器插头。使用未经改动的插头和匹配的电源插座可以大大减少电击危险。
- ▶ 避免人体接触接地表面, 如管道、散热片和冰箱。如果您的身体接地, 则会增加电击危险。
- ▶ 不要将电动工具暴露在雨水或潮湿环境中。电动工具进水将会增加电击危险。
- ▶ 不要滥用电缆。切勿使用电缆运送、拉动或拔出电动工具。保持电缆远离高温、油、锋利边缘或运动部件。电缆损坏或缠绕会增加电击危险。
- ▶ 当在户外操作电动工具时, 应使用经认可适合户外操作的加长电缆。使用适合户外使用的电缆可减少电击危险。
- ▶ 如果在潮湿环境下操作电动工具是不可避免的, 应使用剩余电流动作保护器(RCD)。使用 RCD 可减小电击危险。

人身安全

- ▶ 保持警觉, 注意您正在进行的工作, 并在操作电动工具的过程中, 应利用自己的判断能力。当您疲劳或受到药物、酒精或医疗影响时, 请不要使用电动工具。当操作电动工具时, 瞬间的分心都可能导致严重的人身伤害。
- ▶ 使用个人防护装备。一定要戴上护目装置。安全装置, 诸如适当条件下使用防尘面具、防滑安全鞋、安全帽、听力防护等装置能减少人身伤害。
- ▶ 防止电动工具意外启动。在连接至电源和/或电池组、拿起或搬运电动工具之前, 应确保开关处于“关闭”位置。将手指放在开关上搬运电动工具或在开关处于“打开”位置时接通电源, 都可能会导致事故发生。
- ▶ 在打开电动工具之前, 必须拿掉任何调整键或扳手。让扳手或调整键留在电动工具的旋转部件上可能会导致人身伤害。
- ▶ 不要操之过急。应时刻保持正确的站姿和平衡。这在意外情况下能够更好地控制电动工具。



- ▶ 应确保正确着装。不要穿着松垮的衣服或佩戴首饰。让头发和衣服远离运动部件。松垮的衣服、首饰或长发会卡在运动部件中。
- ▶ 如果提供有用于连接除尘和集尘设施的装置，应确保将它们连接好并正确使用。使用除尘装置可以减少与灰尘相关的危险。
- ▶ 经常使用工具能令您获得较高的熟练度，但不能因此掉以轻心和忽视工具安全准则。一次不慎操作就会在瞬间导致重伤。

电动工具的使用和维护

- ▶ 不要强制使用电动工具。针对您的应用场合使用正确的电动工具。正确的电动工具在其额定设计值范围内将能够更好和更安全地工作。
- ▶ 如果通过开关不能使其打开和关闭，则请不要使用电动工具。任何不能通过开关进行控制的电动工具都是危险的，必须对其进行修理。
- ▶ 在进行任何调整、更换配件或存放电动工具之前，应从电源上断开插头和/或从电动工具上拆下电池组（若可拆卸）。此预防性安全措施可减少意外启动电动工具的危险。
- ▶ 将不用的电动工具存放在儿童拿不到的地方，并且不要让不熟悉电动工具或其操作说明的人员操作电动工具。未经培训的用户操作电动工具是危险的。
- ▶ 维护电动工具和配件。检查是否存在运动部件失调或卡滞、部件断裂和任何其它影响电动工具操作的情况。如果存在损坏，则在使用之前应修理电动工具。许多事故都是由于电动工具维护不良造成的。
- ▶ 保持切削工具锋利和清洁。带锋利切削刃的切削工具如果维护得当，很少会发生卡滞且更容易控制。
- ▶ 按照使用说明书，考虑作业条件和进行的作业来使用电动工具、附件和工具的刀头等。将电动工具用于指定用途以外的场合会导致危险。
- ▶ 使手柄和抓握面保持干燥、清洁且没有油脂。如果手柄和抓握面打滑，将无法在意外情况下安全操作或控制本工具。

无绳（电池操作）工具/设备的使用和维护

- ▶ 充电时只能使用制造商指定的充电器。适合某种类型电池组的充电器如果被用于为另一类型电池组充电，则可能会带来火灾危险。
- ▶ 只能使用专用电池组为电动工具供电。使用任何其它电池组可能会带来人身伤害和火灾。
- ▶ 当电池组不用时，应使其远离其它金属物体，例如纸夹、硬币、钥匙、钉子、螺钉或其它小的金属物体，以免造成短路。如果电池端子被短路，则会造成人员烧伤或火灾。
- ▶ 如果持续滥用电池，则可能会造成液体从电池中喷射出来；注意避免接触到液体。如果意外接触到液体，应用水冲洗。如果液体接触眼睛，除了用大量清水冲洗外，还应立即就医。从电池中喷射出来的液体会导致疼痛或灼伤。
- ▶ 不要使用损坏或改装过的电池组或工具。损坏或改装过的电池会造成不可预测的情形，导致火灾、爆炸或受伤风险。
- ▶ 不要将电池组或工具暴露在明火或过高的温度中。暴露在明火或超过 130 °C (265 °F) 温度中可能导致爆炸。
- ▶ 遵守所有充电说明，且不要在使用说明规定的温度范围之外对电池组或工具充电。充电不正确或在规定温度范围之外充电会损坏电池并增加火灾风险。

保养

- ▶ 将您的电动工具送交专业维修人员，使用同样的备件进行修理。这样才能确保维持电动工具（设备）的安全性。
- ▶ 切勿擅自维修损坏的电池组。仅可由制造商或授权服务提供商执行电池组的维修。

2.2 锤子安全说明

适用于所有作业类型的安全说明

- ▶ 戴上护耳装置。如果直接暴露在噪音中，则会导致听力受损。
- ▶ 使用随工具提供的辅助手柄。对工具失去控制可能会导致人身伤害。
- ▶ 如果配套工具的工作区域可能接触到隐藏的线束，只能握住电动工具的绝缘手柄表面进行操作。如果配套工具接触到带电电线，电动工具的金属部件也将带电，从而导致电击。

关于使用长钻头的安全说明

- ▶ 始终以低转速开始钻孔，并使钻头与工件接触。在未与工件接触的情况下，如果钻头的旋转速度超出其最大允许转速，则会导致其轻微弯曲，继而造成伤害事故。
- ▶ 不要向钻头施加过大的压力，仅可在钻头的纵向轴上施加压力。否则钻头会弯曲，继而断裂或导致失控和伤害事故。

2.3 电锤的附加安全说明

人身安全

- ▶ 只有产品和附件处于良好的技术状态时才能使用。



- ▶ 切勿以任何方式擅自改动或改装本产品或附件。
- ▶ 请使用随产品提供的辅助手柄。对工具失去控制可能会导致人身伤害。
- ▶ 当执行需要穿透的作业时，在工件对侧采取适当的安全措施。被钻下的工件部分可能会弹出或掉落并伤害到其他人。
- ▶ 应始终用双手通过提供的手柄稳稳握住产品。保持手柄清洁干燥。
- ▶ 如果配套工具的工作区域可能接触到隐藏的线束，只能握住本产品的绝缘手柄表面进行操作。如果配套工具接触到带电电线，电动工具的金属部件也将带电，从而导致触电。
- ▶ 请勿触摸旋转部件 - 人身伤害危险！
- ▶ 使用该产品时，请佩戴护目镜、安全帽、护耳装置和适当的呼吸防护装置。
- ▶ 在更换配套工具时戴上防护手套。触碰配套工具会导致割伤和烫伤。
- ▶ 请戴上护目装置。飞溅的碎片会导致身体和眼睛受伤。
- ▶ 磨削、抛光、切割和钻孔过程中产生的粉尘可能包含有害化学物质。一些例子包括：铅或铅基涂料；砖、混凝土、其他砖石产品、天然石材和其他含硅酸盐的产品；一些木材，例如橡木、山毛榉和化学处理过的木材；石棉或含石棉的材料。根据所处理材料的危险等级，确定操作员和附近人员的暴露程度。采取必要的措施将暴露保持在安全水平内，例如使用集尘系统或佩戴适当的呼吸防护装置。减少暴露的一般措施包括：
 - ▶ 在通风良好的区域进行操作，
 - ▶ 避免长时间接触粉尘，
 - ▶ 清除脸部和身上的粉尘，
 - ▶ 穿着防护服并用肥皂和水清洗暴露的部位。
- ▶ 适当休息并活动手指，以改善手指的血液循环。工作期间长时间暴露于强烈振动环境中可能导致手指、手掌和手腕部位血管和神经系统紊乱。

电气安全

- ▶ 开始工作前，检查工作区域是否有隐蔽的电缆或天然气和水管。如果电缆、燃气管或水管有损坏，则产品的外部金属部件可能会导致电击或爆炸。

谨慎操作和使用电动工具

- ▶ 如果配套工具卡住，应立即关闭本产品。本产品可能会跑偏并转向一侧。
- ▶ 等待产品完全停止后再将其放下。

3 说明

3.1 产品概述



- ① TE-C Click 夹头
- ② 功能选择开关
- ③ 把手
- ④ 前进/后退选择开关，带安全锁
- ⑤ 控制开关
- ⑥ 电池
- ⑦ 工作区域照明灯
- ⑧ 侧面手柄
- ⑨ 深度计
- ⑩ 带附加功能的释放按钮 (充电状态显示启动)
- ⑪ 电池充电状态显示屏

3.2 预期用途

所述产品为用电池供电的旋转电锤。它设计用于对混凝土和砖石进行锤击钻孔，对钢、木材和砖石钻孔以及敲入和拔出螺钉。



- 本产品仅可与 Hilti B 22 系列锂离子电池搭配使用。
- 此类电池仅限使用 Hilti 认可的充电器充电。更多信息可访问 Hilti Store 或 www.hilti.group

3.3 锂离子电池状态显示

使用锂离子电池时，可通过按下其中一个电池释放按钮显示充电状态。

状态	含义
4 个 LED 亮起。	充电状态：75% 至 100%
3 个 LED 亮起。	充电状态：50% 至 75%
2 个 LED 亮起。	充电状态：25% 至 50%
1 个 LED 亮起。	充电状态：10% 至 25%
1 个 LED 闪烁。	充电状态：< 10%

当电动工具在使用时或在刚使用完之后，不会指示充电状态。若电池充电状态 LED 闪烁，请参考故障排除章节中的信息。

3.4 供应的部件

旋转电锤、侧面手柄、深度计、操作说明。

TE DRS-S 除尘模块可大大减少粉尘排放，以配件形式提供。

经批准可以与本产品搭配使用的其它系统产品，可以在您当地的 Hilti Store 购买或访问 www.hilti.group 在线订购

4 技术数据

4.1 旋转电锤

	TE 2-A22
额定电压	21.6 V
符合 EPTA Procedure 01 要求的重量 (包括 B22/8.0 电池)	3.3 kg
混凝土/砖石建筑的钻孔直径范围 (锤击钻孔)	4 mm ... 16 mm
金属钻孔直径范围 (实心钻头)	0 mm ... 10 mm
深度计的最大长度	180 mm

4.2 噪音信息和振动值按照 EN 62841 标准

这些说明中给出的声压和振动值按照标准化测试的要求测得，可用于比较一种电动工具与另一种电动工具。它们还可用于初步评价受振动影响的程度。

提供的数据代表本电动工具的主要应用。但是，如果将电动工具用于不同的应用、使用不同的配套工具或维护不良，则数据可能不同。这可能会显著增加操作者在整个工作期间受振动影响的程度。

对受振动影响程度的准确估计还应考虑当关闭电动工具或当它运行但实际未进行工作时的情况。这可能会显著减小操作者在整个工作期间受振动影响的程度。

此外，应确定附加安全措施，以保护操作者免受噪音和/或振动影响，例如：正确维护电动工具和配套工具、保持双手温暖、合理安排工作方式。

噪音信息

声 (功率) 级 (L_{WA})	103 dB(A)
排放声压级 (L_{pA})	92 dB(A)
不确定性系数 (噪音值) (K_{pA} 和 K_{WA})	3 dB(A)

总振动值

在金属中钻孔 ($a_{h, b}$)	B 22/2.6 Li-Ion (01)	2.5 m/s ²
在混凝土中锤击钻孔 ($a_{h, HB}$)	B 22/2.6 Li-Ion (01)	12.7 m/s ²
不确定性系数 (总振动值)		1.5 m/s ²



4.3 电池

电池工作电压	21.6 V
工作环境温度	-17 °C ... 60 °C
存放温度	-20 °C ... 40 °C
电池充电起始温度	-10 °C ... 45 °C

5 操作

5.1 工作现场的准备工作



-警告-

人身伤害的危险！意外启动的风险！

- ▶ 插入电池前，确保已关闭产品。
- ▶ 对电动工具执行任何调节或更换配件前，先取出电池。

请遵守本文档中以及产品上的安全说明和警告。

5.1.1 安装侧面手柄

1. 通过转动手柄握柄释放侧面手柄夹紧带。
2. 将侧面手柄夹紧带越过夹头从前面滑入提供的凹槽中。
3. 将侧面手柄调整到期望的位置。
4. 通过转动手柄握柄紧固侧面手柄夹紧带。

5.1.2 插入电池

1. 将电池推入工具上的电池接口，直至听见接合的“咔哒”声。
2. 检查并确认电池已可靠就位。

5.1.3 拆下电池

1. 按下电池上的释放按钮。
2. 朝着后部拉出电池。

5.1.4 安装配套工具

1. 在配套工具的连接端涂抹少量润滑脂。
 - ▶ 请仅使用 Hilti 提供的推荐润滑脂。使用错误的润滑脂可能会导致工具损坏。
2. 将配件工具推入夹头中并推到底（直至它接合）。
3. 安装配套工具后，请务必握住并拉动它，确认其已可靠接合。
 - ▶ 本产品处于备用状态。

5.1.5 拆卸配套工具



-小心-

配套工具有导致人身伤害的危险！配套工具可能会发烫或边缘很锋利。

- ▶ 更换配套工具时，戴上防护手套。
- ▶ 将工具锁止装置向后拉到底，然后取出配套工具。

5.1.6 安装深度计 (选装)

1. 通过转动手柄握柄释放侧面手柄夹紧带。
2. 将深度计从前面滑入提供的两个导向孔中。
3. 通过转动手柄握柄紧固侧面手柄夹紧带。

5.2 工作类型



-小心-

损坏风险 由错误操作引起！

- ▶ 不得在运行期间操作旋转方向和/或功能选择开关。



5.2.1 工作场所的照明




按下控制开关时，LED 自动启动。控制开关释放后，LED 灯慢慢熄灭。

- ▶ 按下控制开关。


5.2.2 旋转方向

- ▶ 设置旋转方向。
 - ▶ 选择开关在该位置接合。

5.2.3 不带锤击作用的钻孔

- ▶ 将功能选择开关设置到该符号：

5.2.4 锤击钻孔

- ▶ 将功能选择开关设置到该符号：

6 维护和保养

6.1 维护和保养



- 警告 -

插入电池时存在人身伤害危险！

- ▶ 执行维护和保养任务之前，请务必先取出电池。

工具的保养

- 请小心去除顽固的污垢。
- 如果有污垢，请用干燥的软毛刷小心地清洁通风孔。
- 请仅使用微湿的抹布清洁外壳。不要使用含硅清洁剂，否则可能腐蚀塑料件。
- 请使用洁净干燥的抹布来清洁产品的接头。

锂离子电池的保养

- 切勿使用通风槽堵塞的电池。用干燥的软毛刷小心地清洁通风槽。
- 避免不必要地将电池暴露在粉尘或污垢中。切勿将电池暴露在高湿度的环境中（例如将其浸在水中或放在雨中）。
如果电池浸湿，请如处理损坏的电池那样对其进行处理。将其隔离在不可燃的容器中，然后联系 **Hilti** 维修中心。
- 确保电池远离油和油脂。切勿让不必要的粉尘或脏污积聚在电池上。用干燥的软毛刷或干燥柔软的布清洁电池。不要使用含硅清洁剂，否则可能腐蚀塑料件。
请勿触摸电池触点或从触点上去除出厂涂的油脂。
- 请仅使用微湿的抹布清洁外壳。不要使用含硅清洁剂，否则可能腐蚀塑料件。

维护

- 定期检查所有可见部件和控制器是否出现损坏迹象，确保其全部正常工作。
- 如果发现产品有损坏和/或有功能故障，请不要使用。立即将本产品交给 **Hilti** 维修中心修复。
- 清洁和维护之后，安装所有护板或保护装置并检查其功能是否正常。



为确保安全和可靠的操作，仅使用 Hilti 原装备件和耗材。经 Hilti 许可与产品搭配使用的备件、耗材和附件可到您当地的 **Hilti Store** 购买或访问：www.hilti.group

6.2 清洁防尘罩

- ▶ 使用干燥、干净的抹布定期清洁夹头上的防尘罩。
- ▶ 小心地擦拭密封唇以对其进行清洁，然后再次用 **Hilti** 润滑脂轻轻地对其进行润滑。
- ▶ 当密封唇损坏时，必须更换防尘罩。



7 运输和存放

7.1 电池型工具和电池的运输及存储

运输



运输途中的意外启动！

- ▶ 运输产品前务必将电池取出！

- ▶ 取下电池。
- ▶ 切勿松散、未加保护地运输电池。在运输过程中，应保护电池免受过度冲击或振动影响，并将其与任何导电材料或其它电池分开（因为它们可能会接触到电池端子并导致短路）。请遵守当地的电池运输规定。
- ▶ 请勿以邮寄方式运送电池。有关如何运送完好电池的说明，请咨询您的发货商。
- ▶ 每次使用前以及长时间运输前后都要检查产品和电池是否损坏。

存放



故障或泄漏的电池会导致意外损坏！

- ▶ 仅可在未插入电池的情况下存放产品！
- ▶ 请将产品和电池存放在凉爽干燥的地方。请遵守技术数据中规定的温度极限值。
- ▶ 请勿将电池存放在充电器中。充电过程结束后请始终将电池从充电器中取出。
- ▶ 切勿将电池存放在阳光下、热源上或玻璃后。
- ▶ 请将本产品 and 电池存放在儿童或非授权人员无法接近的位置。
- ▶ 每次使用前以及长时间存放前后都要检查产品和电池是否损坏。

8 故障排除

8.1 故障排除

如果您碰到的问题未在此表中列出或您无法自己实施补救措施，请联系 Hilti 服务部门。

8.2 旋转电锤不正常工作

故障	可能原因	解决方案
旋转电锤不启动。	旋转电锤已过载。	▶ 关闭旋转电锤，取出电池，不要继续使用旋转电锤。
LED 无指示。	电池未完全插入。	▶ 推入电池，直到听到其接合的双咔嗒声。
	电池放电。	▶ 更换电池，并对已放电电池充电。
	电池过热或过冷。	▶ 将电池调整至推荐的工作温度。
1 个 LED 闪烁。	电池放电。	▶ 更换电池，并对已放电电池充电。
	电池过热或过冷。	▶ 将电池调整至推荐的工作温度。
4 个 LED 闪烁。	旋转电锤已短时间过载。	▶ 释放控制开关，然后再次将其按下。
	过热保护切断功能已经启动。	▶ 使旋转电锤冷却下来，然后清洁通风口。

8.3 旋转电锤正常工作

故障	可能原因	解决方案
没有锤击作用。	旋转电锤过冷。	▶ 使钻头尖接触到工作面，打开旋转电锤并使其运转。必要时，重复该步骤，直到锤击机构开始工作。
	功能选择开关设置在“不通过锤击作用钻孔”位置	▶ 将功能选择开关设置到“锤击钻孔”位置



故障	可能原因	解决方案
不能按下控制开关，即开关被锁止。	前进/后退开关处于中间位置。	▶ 向右或向左推动前进/后退开关。
驱动轴不旋转。	已超过旋转电锤电子装置的允许工作温度。	▶ 使旋转电锤冷却下来。
	电池放电。	▶ 更换电池，并对已放电电池充电。
旋转电锤自动自行关闭。	过载保护装置已启动。	▶ 释放控制开关。使旋转电锤冷却下来。再次按下控制开关。降低工具的负载。
电池比平常更快耗尽。	电池状况不是最佳。	▶ 更换电池。
未听到电池接合的“双咔嗒声”。	电池上的固定凸耳脏污。	▶ 清洁固定凸耳，然后重新安装电池。
旋转电锤或电池变得很热。	电气故障	▶ 立即关闭旋转电锤。取出电池并仔细观察。使其冷却下来。与 Hilti 中心联系。
	旋转电锤已过载 (超过应用限制)。	▶ 选择适合其预期用途的工具。
无法释放插入工具。	夹头未完全向后拉回。	▶ 向后拉动夹头，直到拉不动为止，然后拆下工具。
电动工具不前进。	旋转电锤已设置为反向旋转。	▶ 将前进/后退选择开关移至“向前”位置。

9 废弃处置

大部分用于 **Hilti** 工具和设备生产的材料是可回收利用的。在可以回收之前，必须正确分离材料。在很多国家，您的旧工具、机器或设备可送至 **Hilti** 进行回收。敬请联系 **Hilti** 服务部门或您的喜利得公司代表获得更多信息。



- ▶ 不要将电动工具、电子设备和电池扔进家庭垃圾中！

10 制造商保修

- ▶ 如对保修条件有任何疑问，请联系您当地的 **Hilti** 代表。



EC Declaration of Conformity | UK Declaration of Conformity



Manufacturer:
Hilti Corporation
Feldkircherstraße 100
9494 Schaan | Liechtenstein

UK Importer:
Hilti (Gt. Britain) Limited
No. 1 Circle Square, 3 Symphony Park
Manchester, England, M1 7FS

TE 2-A22 (02) | TE 2-A18 (02)

Serial Numbers: 1-9999999999

2006/42/EC | Supply of Machinery (Safety)
Regulations 2008

EN 62841-1:2015,AC:2015

EN IEC 62841-2-6:2020/A11:2020

2014/30/EU | Electromagnetic Compatibility
Regulations 2016

EN IEC 55014-1:2021

EN IEC 55014-2:2021

2011/65/EU | The Restriction of the Use of
Certain Hazardous Substances in Electrical and
Electronic Equipment Regulations 2012

A handwritten signature in black ink, appearing to read "Tahar Zrilli".

Dr. Tahar Zrilli
Head of Quality and Process Management
Business Area Electric Tools & Accessories

Schaan, 12.02.2023

A handwritten signature in black ink, appearing to read "Edward-Louis Przybylowicz".

Edward-Louis Przybylowicz
Head of BU Power Tool & Accessories
Business Area Electric Tools & Accessories



Hilti Corporation
LI-9494 Schaan
Tel.:+423 234 21 11
Fax:+423 234 29 65
www.hilti.group



2023934